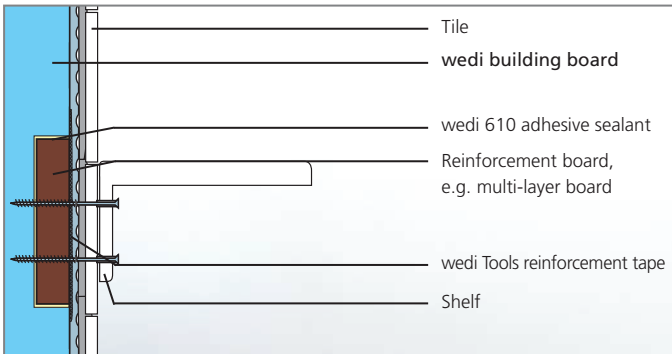
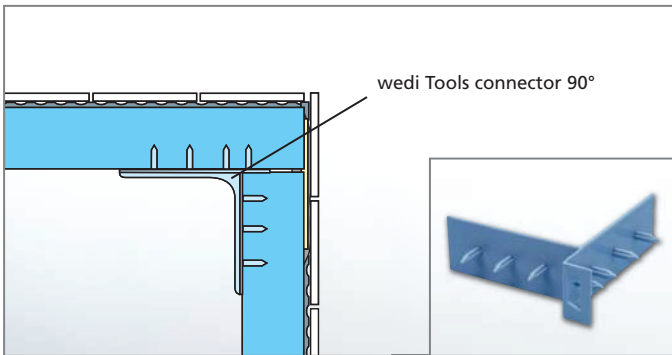
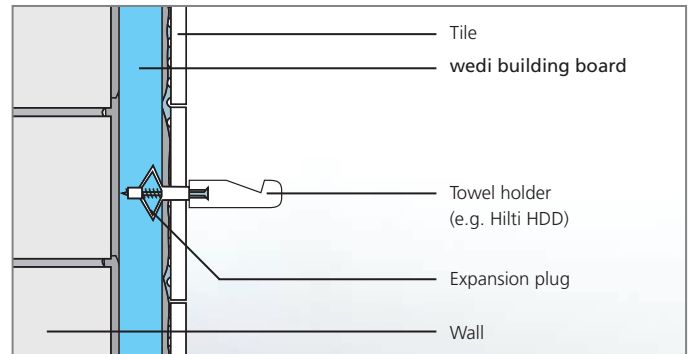


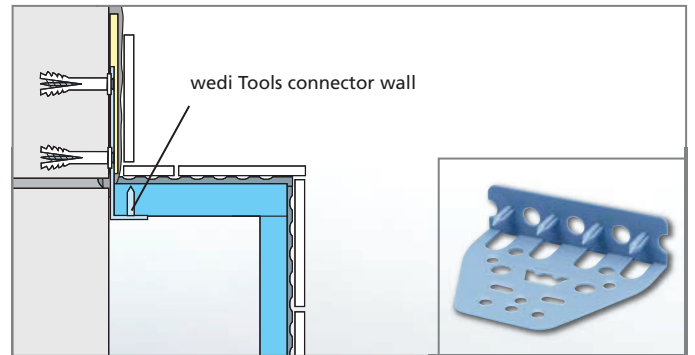
Fastening and installation of bathroom furniture and accessories



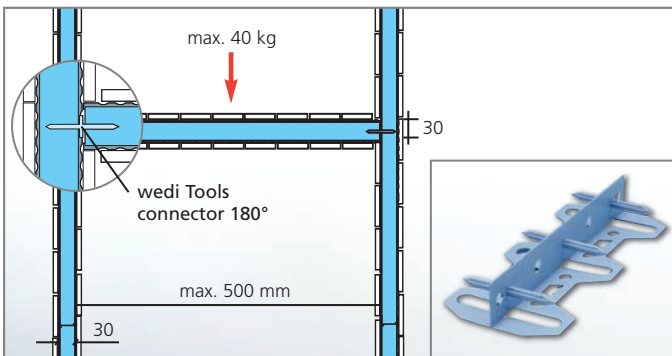
Fastening behind ceramic.



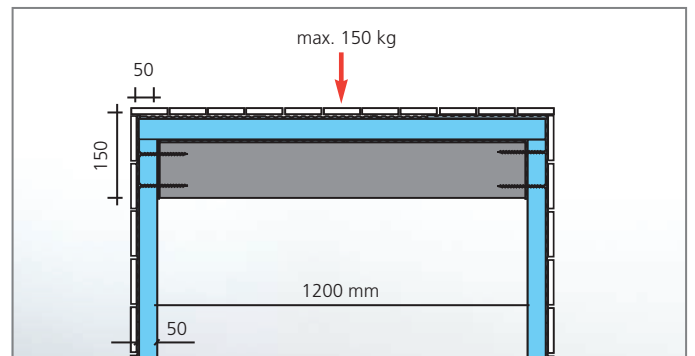
Connection of two building boards with an angle of 90°.



Fastening of building board structure to a wall.



Load-bearing capacity and exemplary use of wedi Tools connector 180°.



Load-bearing capacity.

wedi system components:

- wedi Tools connector wall
- wedi Tools connector 90°
- wedi Tools connector 180°
- wedi Tools fixing anchor
- wedi 610 adhesive sealant
- wedi Tools reinforcement tape