

Milwaukee[®]

Nothing but **HEAVY DUTY**.[®]

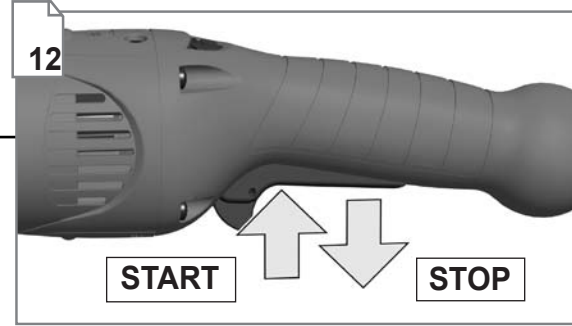
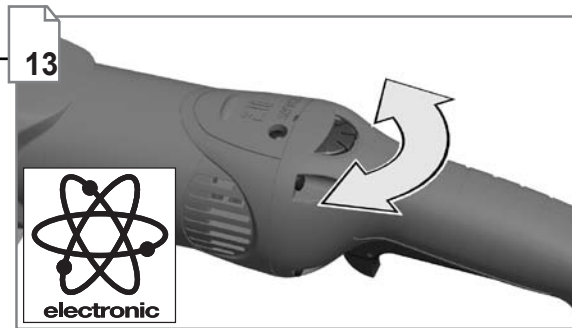
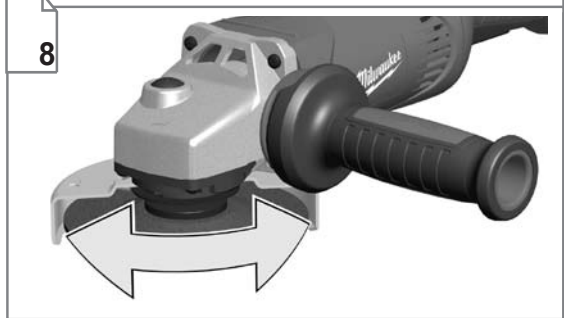
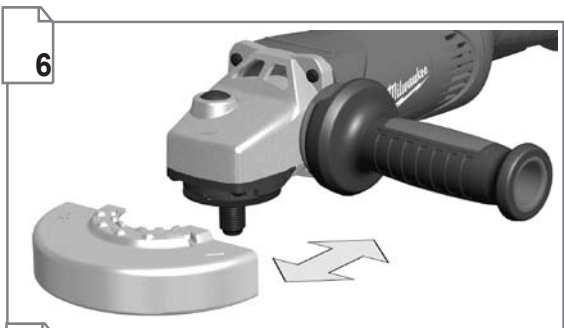
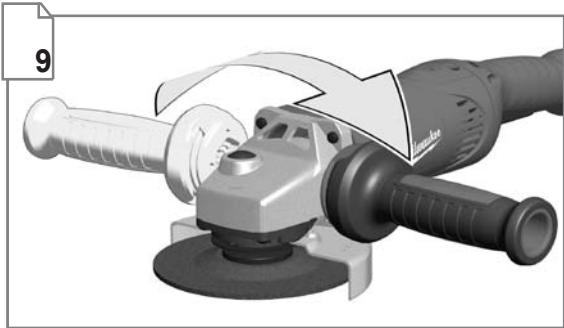


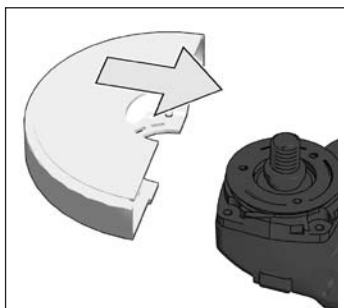
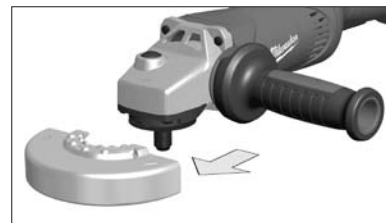
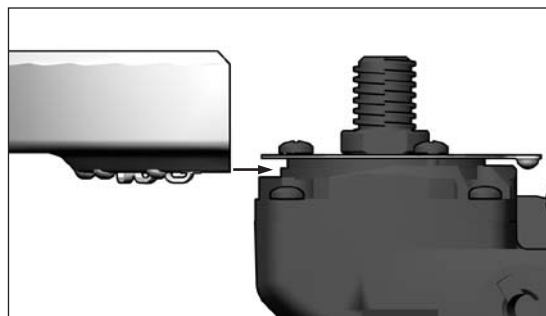
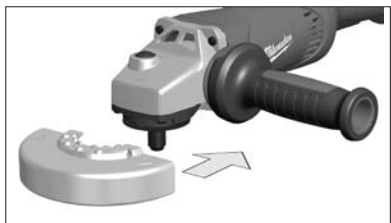
AGV 17-125 XE **AGV 17-125 XE DMS**

Original instructions
Originalbetriebsanleitung
Notice originale
Istruzioni originali
Manual original
Oorspronkelijke
gebruiksaanwijzing
Original brugsanvisning

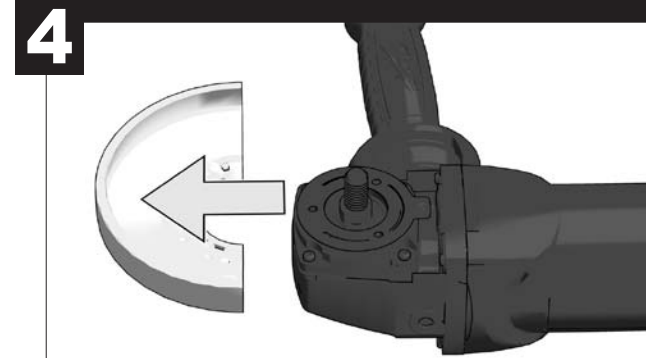
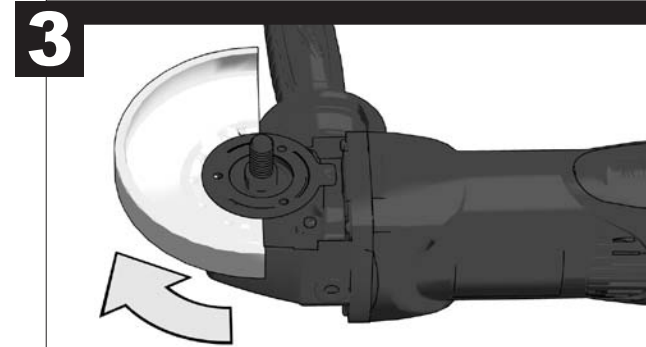
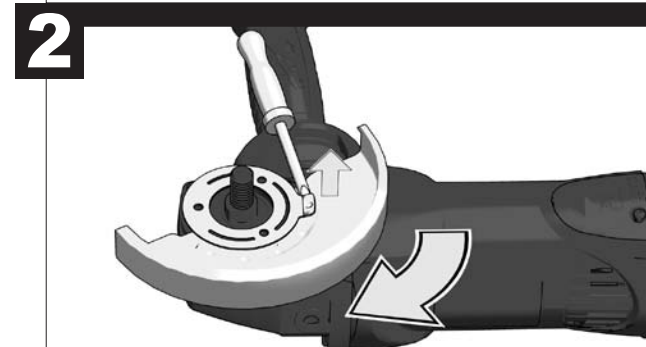
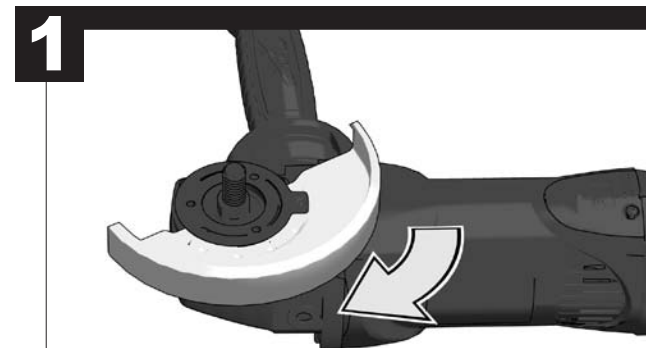
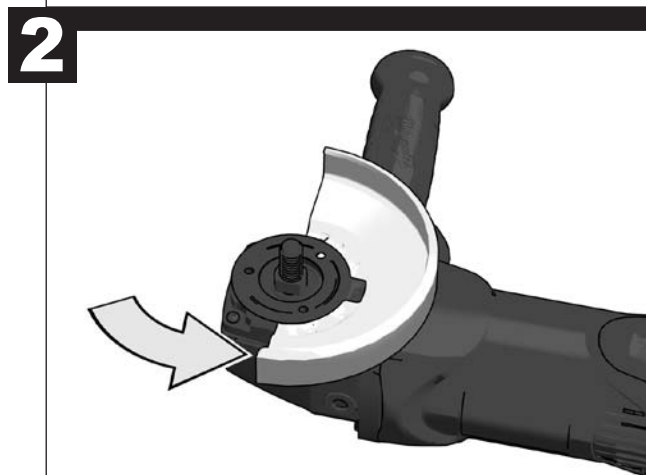
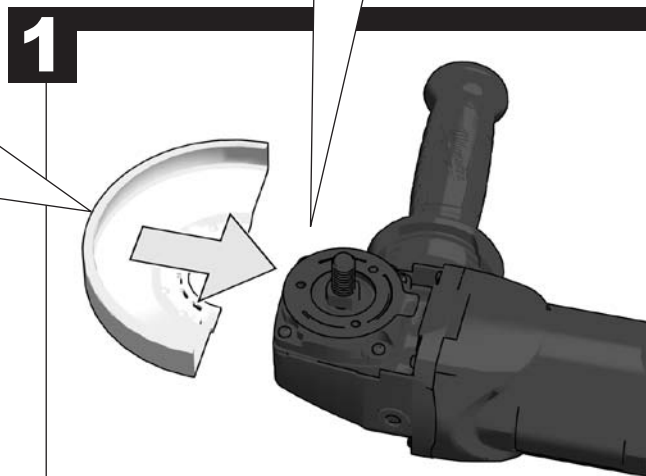
Original bruksanvisning
Bruksanvisning i original
Alkuperäiset ohjeet
Πρωτότυπο οδηγιών χρήσης
Orijinal işletme talimatı
Původním návodem k
používání

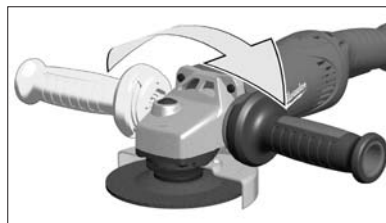
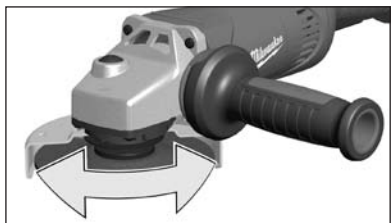
Technical Data, Safety Instructions, Specified Conditions of Use, EC-Declaration of Conformity, Mains connection, Maintenance, Symbols	Please read and save these instructions!	ENGLISH	18
Technische Daten, Sicherheitshinweise, Bestimmungsgemäße Verwendung, CE-Konformitätserklärung, Netzanschluss, Wartung, Symbole	Bitte lesen und aufbewahren!	DEUTSCH	21
Caractéristiques techniques, Instructions de sécurité, Utilisation conforme aux prescriptions, Déclaration CE de Conformité, Branchement secteur, Entretien, Symboles	Prière de lire et de conserver!	FRANÇAIS	24
Dati tecnici, Norme di sicurezza, Utilizzo conforme, Dichiarazione di Conformità CE, Collegamento alla rete, Manutenzione, Simboli	Si prega di leggere le istruzioni e di conservarle!	ITALIANO	27
Datos técnicos, Instrucciones de seguridad, Aplicación de acuerdo a la finalidad, Declaración de Conformidad CE, Conexión eléctrica, Mantenimiento, Símbolos	Lea y conserve estas instrucciones por favor!	ESPAÑOL	30
Características técnicas, Instruções de segurança, Utilização autorizada, Declaração de Conformidade CE, Ligação à rede, Manutenção, Símbolo	Por favor leia e conserve em seu poder!	PORTUGUES	33
Technische gegevens, Veiligheidsadviezen, Voorgeschreven gebruik van het systeem, EC-Konformiteitsverklaring, Netaansluiting, Onderhoud, Symbolen	Lees en let goed op deze adviezen!	NEDERLANDS	36
Tekniske data, Sikkerhedshenvisninger, Tiltænkt formål, CE-Konformitetserklæring, Nettetilslutning, Vedligeholdelse, Symboler	Vær venlig at læse og opbevare!	DANSK	39
Tekniske data, Spesielle sikkerhetshenvisninger, Formålmessig bruk, CE-Samsvarserklæring, Nettetilkopling, Vedlikehold, Symboler	Vennligst les og oppbevar!	NORSK	42
Tekniska data, Säkerhetsutrustning, Använd maskinen Enligt anvisningarna, CE-Försäkran, Nätanslutning, Skötsel, Symboler	Var god läs och tag tillvara dessa instruktioner!	SVENSKA	45
Tekniset arvot, Turvallisuusohjeet, Tarkoituksenmukainen käyttö, Todistus CE-standardin mukaisuudesta, Verkkoliitäntä, Huolto, Symbolit	Lue ja säilytä!	SUOMI	48
Τεχνικά στοιχεία, Ειδικές υποδείξεις ασφαλείας, Χρήση σύμφωνα με το σκοπό προορισμού, Δήλωση πιστοποίησης εκ, Συνδεση στο ηλεκτρικό δίκτυο, Συντήρηση, Σύμβολα	Παρακαλώ διαβάστε τις και φυλάξτε τις!	ΕΛΛΗΝΙΚΑ	51
Teknik veriler, Güvenliğinizi için talimatlar, Kullanım, CE uygunluk beyanince, Şebeke bağlantısı, Bakım, Semboller	Lütfen okuyun ve saklayın	TÜRKÇE	54
Technická data, Speciální bezpečnostní upozornění, Oblast využití, Ce-prohlášení o shodě, Připojení na síť, Údržba, Symboly	Po přečtení uschovejte	ČESKY	57



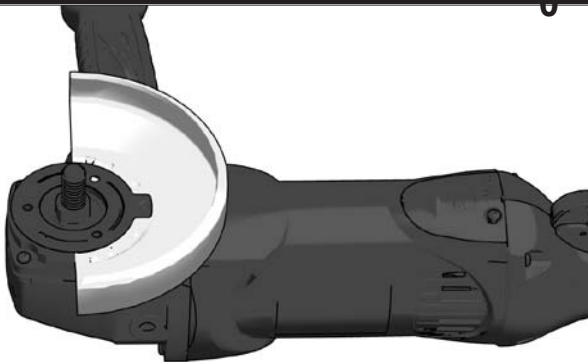


For Separating!
 Für Trennarbeiten!
 For cutting work!
 Pour les travaux de tronçonnage!
 Per lavori di separazione!
 ¡Para trabajos de tronzado!
 Para trabalhos de corte!
 Voor doorslijpwerkzaamheden!
 Til skærearbejder!
 For kutting!
 För kapningsarbeten!
 Katkaisutöihin!
 Για εργασίες κοπής!
 Ayırma işleri için!
 Pro řezací práce!

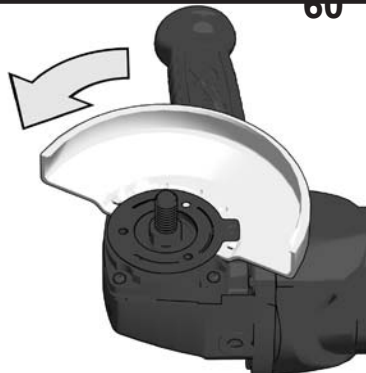
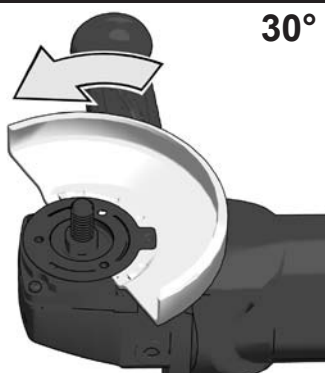




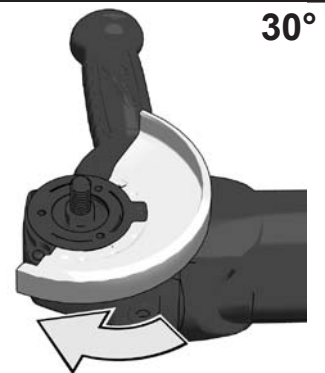
A



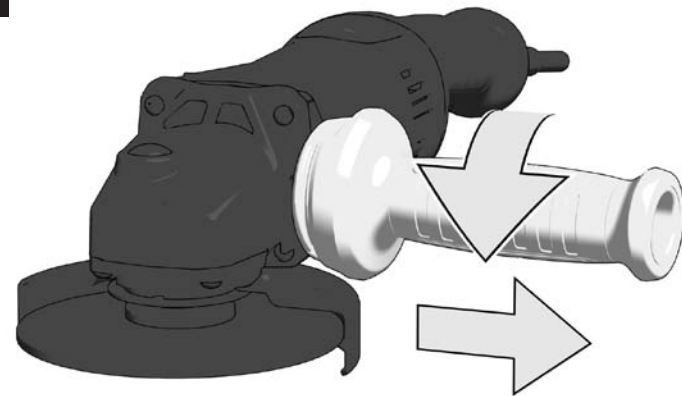
B



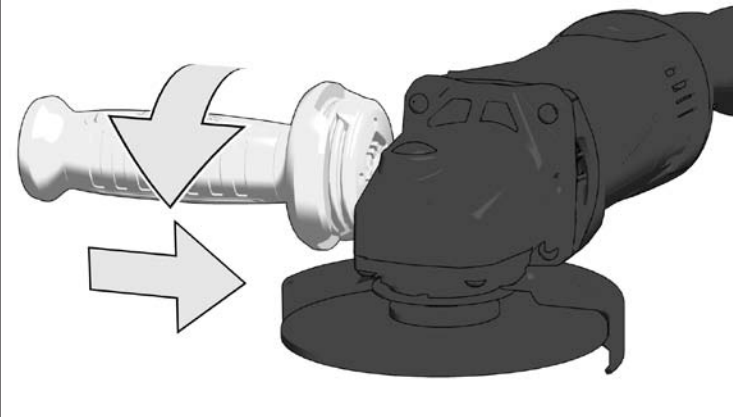
C

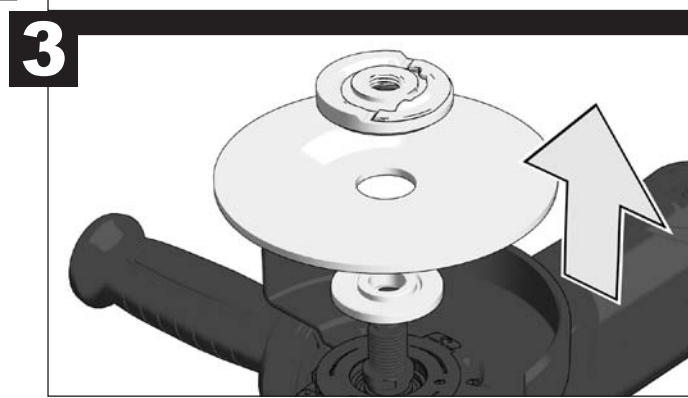
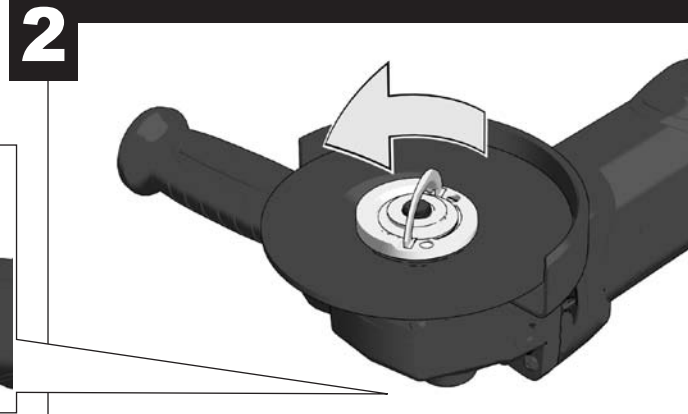
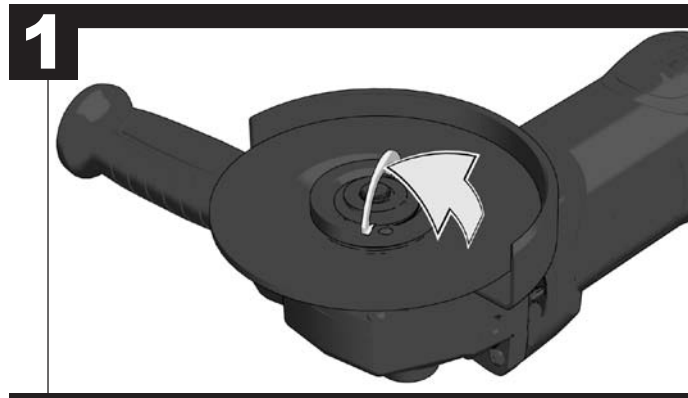
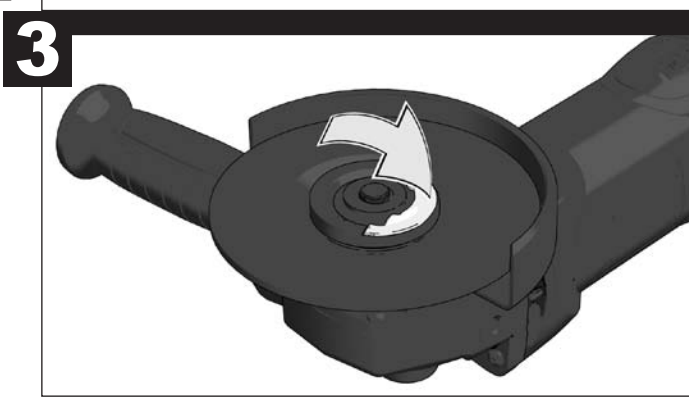
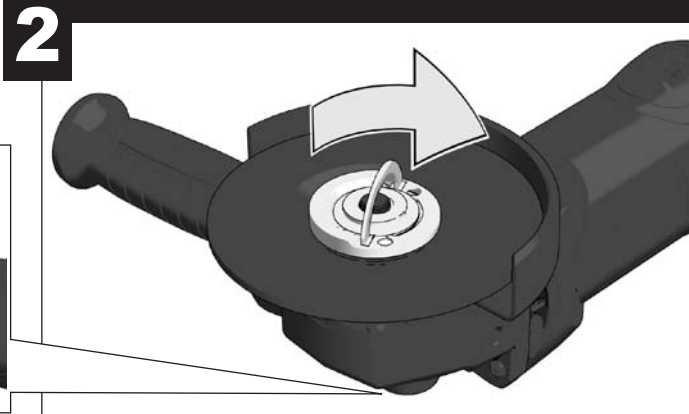
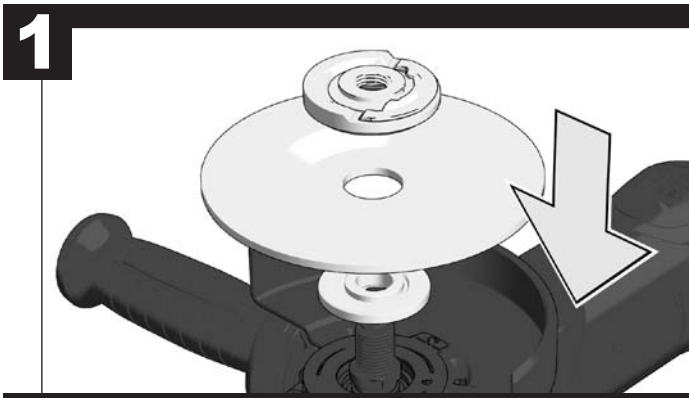


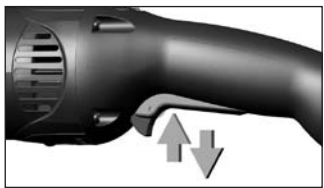
1



2



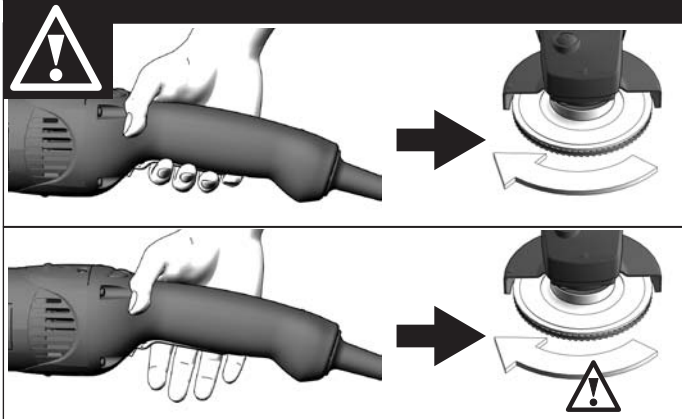
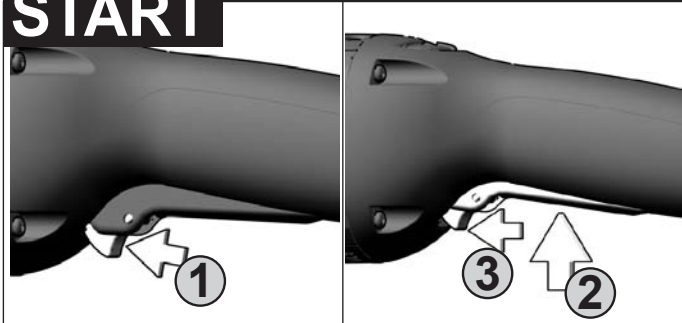




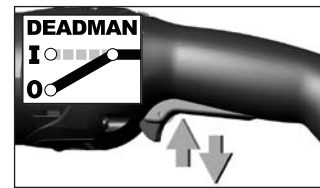
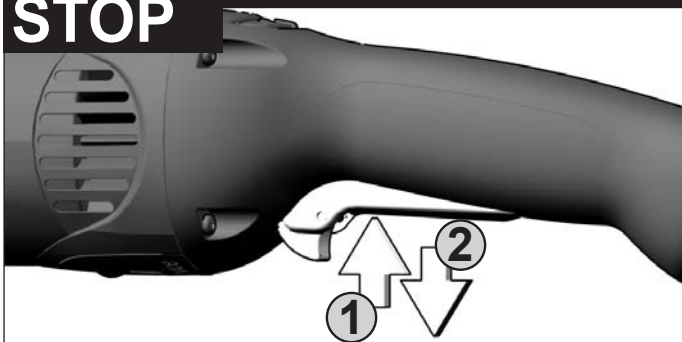
Switch can be locked
 Schalter ist arretierbar
 Le commutateur peut être verrouillé
 L'interruttore si può bloccare
 O interruptor se puede bloquear.
 Schakelaar is vastzetbaar
 Afbryder kan fikseres
 Bryter kan låses
 Brytaren kan arreteras.
 Katkaisimen voi lukita.
 Ο διακόπτης μπορεί να ασφαλιστεί
 Şalter ayarlanabilir
 Vypínač je aretovatelný



START



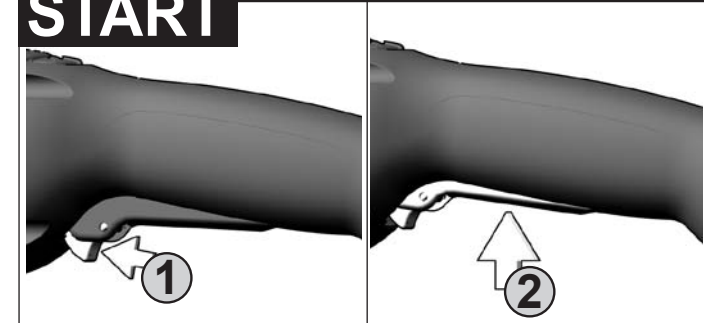
STOP



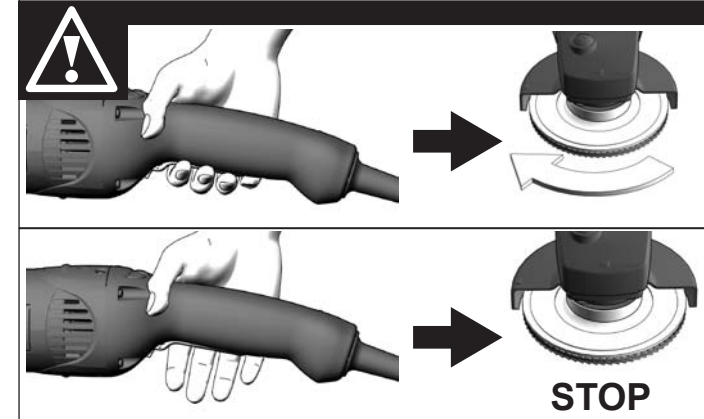
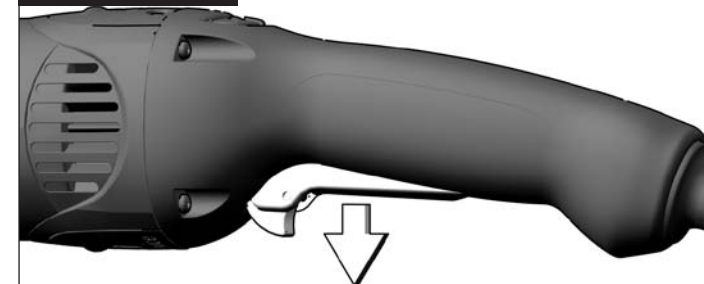
Switch cannot be locked
 Schalter ist nicht arretierbar
 Le commutateur ne peut pas être verrouillé
 L'interruttore non si può bloccare
 O interruptor no se puede bloquear.
 Schakelaar is niet vastzetbaar
 Afbryder kan ikke fikseres
 Bryter kan ikke låses
 Brytaren kan inte arreteras.
 Katkaisinta ei voi lukita.
 Ο διακόπτης δεν μπορεί να ασφαλιστεί
 Şalter ayarlanamaz
 Vypínač není aretovatelný

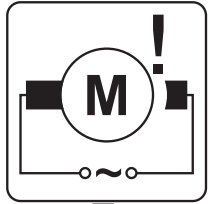


START

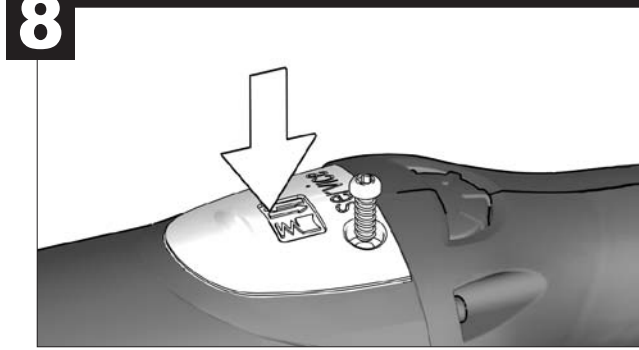
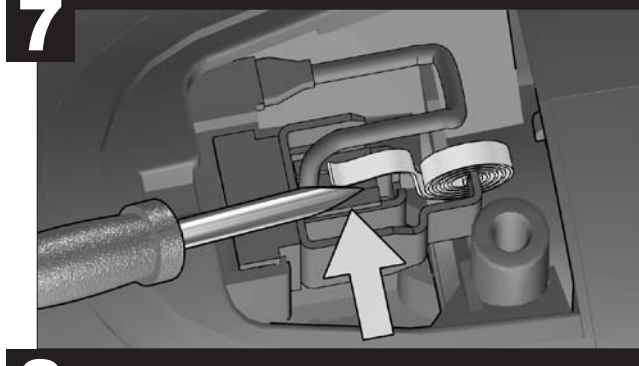
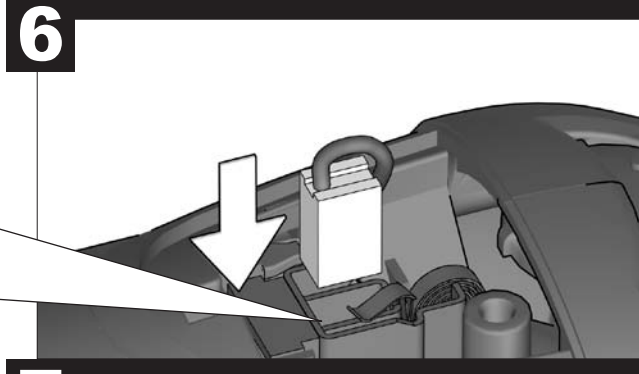
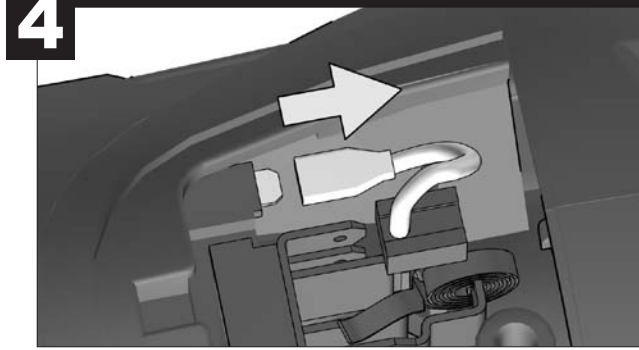
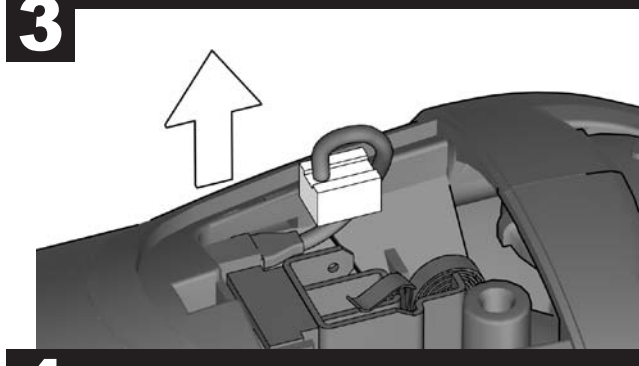
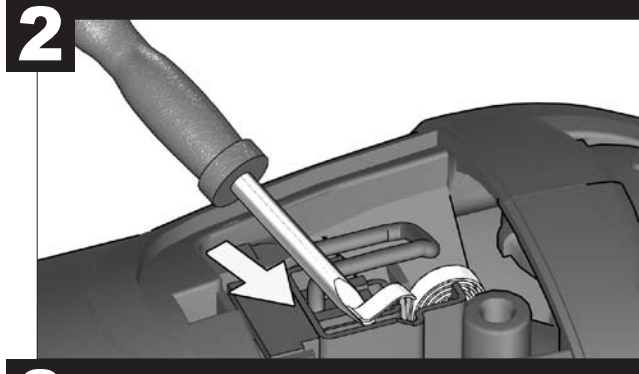
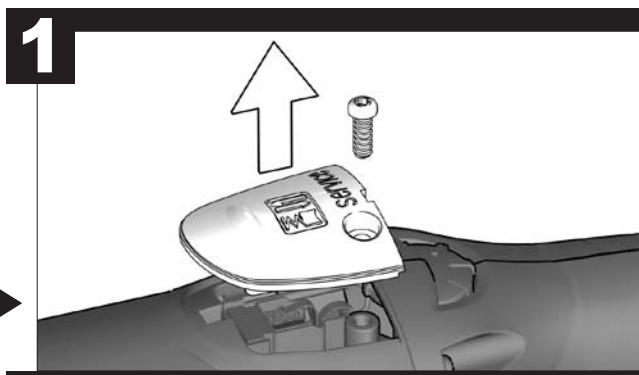


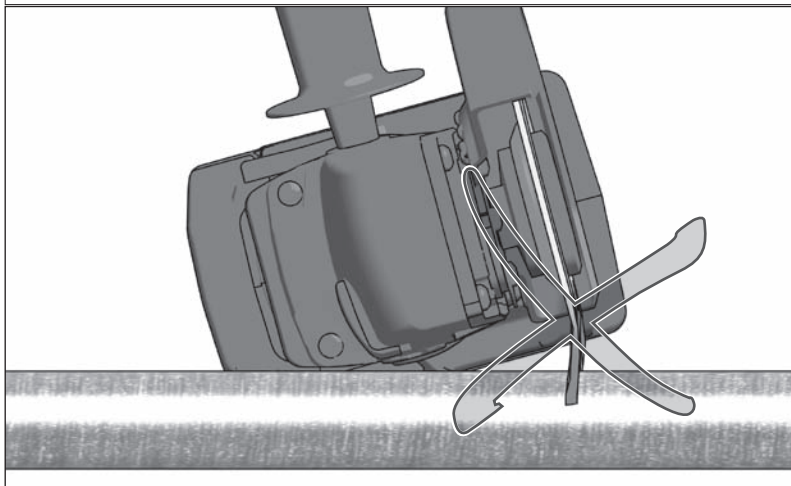
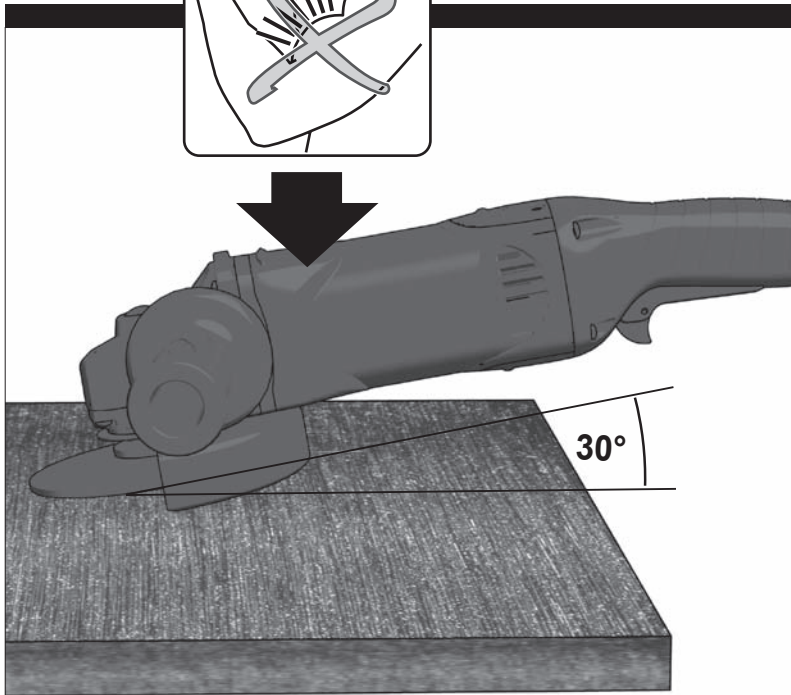
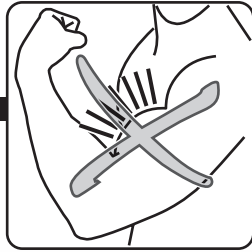
STOP





AUTOMATIC STOP





TECHNICAL DATA	Angle Grinder	AGV17-125XE	AGV17-125XE DMS
Rated input	1750 W	1750 W	
Output	1150 W	1150 W	
Max. no-load speed	2600-11000 min ⁻¹	2600-11000 min ⁻¹	
Grinding disk diameter	125 mm	125 mm	
Thread of work spindle	M 14	M 14	
Weight according EPTA-Procedure 01/2003	2,8 kg	2,8 kg	

Noise/Vibration Information

Measured values determined according to EN 60745. Typically, the A-weighted noise levels of the tool are:

Sound pressure level (K=3 dB(A))	90 dB(A)	90 dB(A)
Sound power level (K=3 dB(A))	101 dB(A)	101 dB(A)

Wear ear protection!

Total vibration values (vector sum in the three axes) determined according to EN 60745:

Surface grinding: vibration emission value a _h	9 m/s ²	9 m/s ²
Uncertainty K =	1,5 m/s ²	1,5 m/s ²
Disk sanding vibration emission value a _h	3,65 m/s ²	3,65 m/s ²
Uncertainty K =	1,5 m/s ²	1,5 m/s ²

For other applications, e.g. Abrasive Cutting-Off Operations or Wire Brushing other vibration values could occur.

WARNING

The vibration emission level given in this information sheet has been measured in accordance with a standardised test given in EN 60745 and may be used to compare one tool with another. It may be used for a preliminary assessment of exposure.

The declared vibration emission level represents the main applications of the tool. However if the tool is used for different applications, with different accessories or poorly maintained, the vibration emission may differ. This may significantly increase the exposure level over the total working period.

An estimation of the level of exposure to vibration should also take into account the times when the tool is switched off or when it is running but not actually doing the job. This may significantly reduce the exposure level over the total working period.

Identify additional safety measures to protect the operator from the effects of vibration such as: maintain the tool and the accessories, keep the hands warm, organisation of work patterns.

⚠ WARNING! Read all safety warnings and all instructions, including those given in the accompanying brochure. Failure to follow the warnings and instructions may result in electric shock, fire and/or serious injury. **Save all warnings and instructions for future reference.**

SAFETY INSTRUCTIONS

Safety Warnings Common for Grinding, Sanding, Wire Brushing or Abrasive Cutting-Off Operations:

a) This power tool is intended to function as a grinder, sander, wire brush, or cut-off tool. Read all safety warnings, instructions, illustrations and specifications provided with this power tool. Failure to follow all instructions listed below may result in electric shock, fire and/or serious injury.

b) Operations such as polishing are not recommended to be performed with this power tool. Operations for which the power tool was not designed may create a hazard and cause personal injury.

c) Do not use accessories which are not specifically designed and recommended by the tool manufacturer. Just because the accessory can be attached to your power tool, it does not assure safe operation.

d) The rated speed of the accessory must be at least equal to the maximum speed marked on the power tool. Accessories running faster than their rated speed can break and fly apart.

e) The outside diameter and the thickness of your accessory must be within the capacity rating of your power tool. Incorrectly sized accessories cannot be adequately guarded or controlled.

f) The arbour size of wheels, flanges, backing pads or any other accessory must properly fit the spindle of the power tool. Accessories with arbour holes that do not match the mounting hardware of the power tool will run out of balance, vibrate excessively and may cause loss of control.

g) Do not use a damaged accessory. Before each use inspect the accessory such as abrasive wheels for chips and cracks, backing pad for cracks, tear or excess wear, wire brush for loose or cracked wires. If power tool or accessory is dropped, inspect for damage or install an undamaged accessory. After inspecting and installing an accessory, position yourself and bystanders away from the plane of the rotating accessory and run the power tool at maximum no-load speed for one minute. Damaged accessories will normally break apart during this test time.

h) Wear personal protective equipment. Depending on application, use face shield, safety goggles or safety glasses. As appropriate, wear dust mask, hearing protectors, gloves and shop apron capable of stopping small abrasive or workpiece fragments. The eye protection must be capable of stopping flying debris generated by various operations. The dust mask or respirator must be capable of filtering particles generated by your operation. Prolonged exposure to high intensity noise may cause hearing loss.

i) Keep bystanders a safe distance away from work area. Anyone entering the work area must wear personal protective equipment. Fragments of workpiece or of a broken accessory may fly away and cause injury beyond immediate area of operation.

j) Hold power tool by insulated gripping surfaces only, when performing an operation where the cutting accessory may contact hidden wiring or its own cord. Cutting accessory contacting a „live“ wire may make exposed metal parts of the power tool „live“ and shock the operator.

k) Position the cord clear of the spinning accessory. If you lose control, the cord may be cut or snagged and your hand or arm may be pulled into the spinning accessory.

l) Never lay the power tool down until the accessory has come to a complete stop. The spinning accessory may grab the surface and pull the power tool out of your control.

m) Do not run the power tool while carrying it at your side. Accidental contact with the spinning accessory could snag your clothing, pulling the accessory into your body.

n) Regularly clean the power tool's air vents. The motor's fan will draw the dust inside the housing and excessive accumulation of powdered metal may cause electrical hazards.

o) Do not operate the power tool near flammable materials. Sparks could ignite these materials.

p) Do not use accessories that require liquid coolants. Using water or other liquid coolants may result in electrocution or shock.

Kickback and Related Warnings

Kickback is a sudden reaction to a pinched or snagged rotating wheel, backing pad, brush or any other accessory. Pinching or snagging causes rapid stalling of the rotating accessory which in turn causes the uncontrolled power tool to be forced in the direction opposite of the accessory's rotation at the point of the binding.

For example, if an abrasive wheel is snagged or pinched by the workpiece, the edge of the wheel that is entering into the pinch point can dig into the surface of the material causing the wheel to climb out or kick out. The wheel may either jump toward or away from the operator, depending on direction of the wheel's movement at the point of pinching. Abrasive wheels may also break under these conditions.

Kickback is the result of power tool misuse and/or incorrect operating procedures or conditions and can be avoided by taking proper precautions as given below.

a) Maintain a firm grip on the power tool and position your body and arm to allow you to resist kickback forces. Always use auxiliary handle, if provided, for maximum control over kickback or torque reaction during start-up. The operator can control torque reactions or kickback forces, if proper precautions are taken.

b) Never place your hand near the rotating accessory. Accessory may kickback over your hand.

c) Do not position your body in the area where power tool will move if kickback occurs. Kickback will propel the tool in direction opposite to the wheel's movement at the point of snagging.

d) Use special care when working corners, sharp edges etc. Avoid bouncing and snagging the accessory. Corners, sharp edges or bouncing have a tendency to snag the rotating accessory and cause loss of control or kickback.

e) Do not attach a saw chain, woodcarving blade or toothed saw blade. Such blades create frequent kickback and loss of control.

Safety Warnings Specific for Grinding and Abrasive Cutting-Off Operations:

a) Use only wheel types that are recommended for your power tool and the specific guard designed for the selected wheel. Wheels for which the power tool was not designed cannot be adequately guarded and are unsafe.

b) The guard must be securely attached to the power tool and positioned for maximum safety, so the least amount of wheel is exposed towards the operator. The guard helps to protect operator from broken wheel fragments and accidental contact with wheel.

c) Wheels must be used only for recommended applications. For example: do not grind with the side of cut-off wheel. Abrasive cut-off wheels are intended for peripheral grinding, side forces applied to these wheels may cause them to shatter.

d) Always use undamaged wheel flanges that are of correct size and shape for your selected wheel. Proper wheel flanges support the wheel thus reducing the possibility of wheel breakage. Flanges for cut-off wheels may be different from grinding wheel flanges.

e) Do not use worn down wheels from larger power tools. Wheel intended for larger power tool is not suitable for the higher speed of a smaller tool and may burst.

Additional Safety Warnings Specific for Abrasive Cutting-Off Operations:

a) Do not "jam" the cut-off wheel or apply excessive pressure. Do not attempt to make an excessive depth of cut. Overstressing the wheel increases the loading and susceptibility to twisting or binding of the wheel in the cut and the possibility of kickback or wheel breakage.

b) Do not position your body in line with and behind the rotating wheel. When the wheel, at the point of operation, is moving away from your body, the possible kickback may propel the spinning wheel and the power tool directly at you.

c) When wheel is binding or when interrupting a cut for any reason, switch off the power tool and hold the power tool motionless until the wheel comes to a complete stop. Never attempt to remove the cut-off wheel from the cut while the wheel is in motion otherwise kickback may occur. Investigate and take corrective action to eliminate the cause of wheel binding.

d) Do not restart the cutting operation in the workpiece. Let the wheel reach full speed and carefully reenter the cut. The wheel may bind, walk up or kickback if the power tool is restarted in the workpiece.

e) Support panels or any oversized workpiece to minimize the risk of wheel pinching and kickback. Large workpieces tend to sag under their own weight. Supports must be placed under the workpiece near the line of cut and near the edge of the workpiece on both sides of the wheel.

f) Use extra caution when making a "pocket cut" into existing walls or other blind areas. The protruding wheel may cut gas or water pipes, electrical wiring or objects that can cause kickback.

Safety Warnings Specific for Sanding Operations:

a) Do not use excessively oversized sanding disc paper. Follow manufacturer's recommendations, when selecting sanding paper. Larger sanding paper extending beyond the sanding pad presents a laceration hazard and may cause snagging, tearing of the disc or kickback.

Safety Warnings Specific for Wire Brushing Operations:

a) Be aware that wire bristles are thrown by the brush even during ordinary operation. Do not overstress the wires by applying excessive load to the brush. The wire bristles can easily penetrate light clothing and/or skin.

b) If the use of a guard is recommended for wire brushing, do not allow any interference of the wire wheel or brush with the guard. Wire wheel or brush may expand in diameter due to work load and centrifugal forces.

Appliances used at many different locations including open air should be connected via a residual current device of 30 mA or less.

Dust and splinters must not be removed while the machine is running.

Only plug-in when machine is switched off.

Never reach into the danger area of the tool when it is running. Always use the auxiliary handle.

Always use the protecting cap when roughing-down and separating.

Immediately switch off the machine in case of considerable vibrations or if other malfunctions occur. Check the machine in order to find out the cause.

Always use and store the grinding disks according to the manufacturer's instructions.

When grinding metal, flying sparks are produced. Take care that no persons are endangered. Because of the danger of fire, no combustible materials should be located in the vicinity (spark flight zone). Do not use dust extraction.

Due care should be taken that no sparks or sanding dust flying from the workpiece come into contact with you.

When separating stone the guide shoe must be used!

The adjusting nut must be tightened before starting to work with the machine.

The workpiece must be fixed if it is not heavy enough to be steady. Never lead the workpiece to the grinding disk with your hand.

Under extreme conditions (e.g. smooth-grinding metals with the arbour and vulcanized fibre grinding wheel), significant contamination can build up on the inside of the angle grinder. For safety reasons, in such conditions the inside should be cleaned thoroughly of metal deposits and a motor circuit-breaker must be connected in series. If the motor circuit-breaker trips the machine must be sent for repair.

For accessories intended to be fitted with threaded hole wheel, ensure that the thread in the wheel is long enough to accept the spindle length.

For cutting or separating use a closed protection cap, available as an accessory.

SPECIFIED CONDITIONS OF USE

This angle grinder may be used for separating, grinding, sanding and wire brushing many different materials, e.g. metal or stone. In case of doubt please read the instructions of the accessories manufacturer.

Do not use this product in any other way as stated for normal use.

EC-DECLARATION OF CONFORMITY

We declare under our sole responsibility that this product is in conformity with the following standards or standardized documents:

EN 60745-1:2009+A11:2010
 EN 60745-2-3:2011
 EN 55014-1:2006+A1:2009+A2:2011
 EN 55014-2:1997+A1:2001+A2:2008
 EN 61000-3-2:2006+A1:2009+A2:2009
 EN 61000-3-3:2008
 in accordance with the regulations
 2011/65/EU (RoHS)
 2006/42/EC
 2004/108/EC



Winnenden, 2012-09-09

Rainer Kumpf

Rainer Kumpf
 Director Product Development

Authorized to compile the technical file

MAINS CONNECTION

Connect only to single-phase a.c. current and only to the system voltage indicated on the rating plate. It is also possible to connect to sockets without an earthing contact as the design conforms to safety class II.

ELECTRONICS

The speed of rotation is adjusted electronically when the load increases.

In case of a longer overload period the speed is decreased electronically. The machine continues to run slowly to cool down the motor coil. After switching off and on the machine can be used at rated load.

MAINTENANCE

The ventilation slots of the machine must be kept clear at all times.

Do not let any metal parts reach the airing slots - danger of short circuit!

Use only Milwaukee accessories and spare parts. Should components need to be exchanged which have not been described, please contact one of our Milwaukee service agents (see our list of guarantee/service addresses).

If needed, an exploded view of the tool can be ordered. Please state the ten-digit No. as well as the machine type printed on the label and order the drawing at your local service agents or directly at: Milwaukee Electric Tool, Max-Eyth-Straße 10, D-71364 Winnenden, Germany

SYMBOLS



Please read the instructions carefully before starting the machine.



Always wear goggles when using the machine.



Always disconnect the plug from the socket before carrying out any work on the machine.



Accessory - Not included in standard equipment, available as an accessory.



Do not dispose of electric tools together with household waste material! In observance of European Directive 2002/96/EC on waste electrical and electronic equipment and its implementation in accordance with national law, electric tools that have reached the end of their life must be collected separately and returned to an environmentally compatible recycling facility.



Class II construction, tool in which protection against electric shock does not rely on basic insulation only, but in which additional safety precautions, such as double insulation or reinforced insulation, are provided.

TECHNISCHE DATEN

Winkelschleifer

AGV17-125XE

AGV17-125XE DMS

Nennaufnahmeleistung.....	1750 W	1750 W
Abgabeleistung.....	1150 W	1150 W
max. Leerlaufdrehzahl.....	2600-11000 min ⁻¹	2600-11000 min ⁻¹
Schleifscheiben-Ø.....	125 mm	125 mm
Spindelgewinde.....	M 14	M 14
Gewicht nach EPTA-Prozedur 01/2003.....	2,8 kg	2,8 kg

Geräusch/Vibrationsinformation

Messwerte ermittelt entsprechend EN 60745.

Der A-bewertete Geräuschpegel des Gerätes beträgt typischerweise:

Schalldruckpegel (K = 3 dB(A)).....	90 dB(A)	90 dB(A)
Schalleistungspegel (K = 3 dB(A)).....	101 dB(A)	101 dB(A)

Gehörschutz tragen!

Schwingungsgesamtwerte (Vektorsumme dreier Richtungen) ermittelt entsprechend EN 60745.

Schruppschleifen: Schwingungsemissionswert a _h	9 m/s ²	9 m/s ²
Unsicherheit K =	1,5 m/s ²	1,5 m/s ²
Sandpapierschleifen: Schwingungsemissionswert a _h	3,65 m/s ²	3,65 m/s ²
Unsicherheit K =	1,5 m/s ²	1,5 m/s ²

Bei anderen Anwendungen, wie z.B. Trennschleifen oder Schleifen mit der Stahldrahtbürste können sich andere Vibrationswerte ergeben!

WARNUNG

Der in diesen Anweisungen angegebene Schwingungspegel ist entsprechend einem in EN 60745 genannten Messverfahren gemessen worden und kann für den Vergleich von Elektrowerkzeugen miteinander verwendet werden. Er eignet sich auch für eine vorläufige Einschätzung der Schwingungsbelastung.

Der angegebene Schwingungspegel repräsentiert die hauptsächlichsten Anwendungen des Elektrowerkzeugs. Wenn allerdings das Elektrowerkzeug für andere Anwendungen, mit abweichenden Einsatzwerkzeugen oder ungenügender Wartung eingesetzt wird, kann der Schwingungspegel abweichen. Dies kann die Schwingungsbelastung über den gesamten Arbeitszeitraum deutlich erhöhen.

Für eine genaue Abschätzung der Schwingungsbelastung sollten auch die Zeiten berücksichtigt werden, in denen das Gerät abgeschaltet ist oder zwar läuft, aber nicht tatsächlich im Einsatz ist. Dies kann die Schwingungsbelastung über den gesamten Arbeitszeitraum deutlich reduzieren.

Legen Sie zusätzliche Sicherheitsmaßnahmen zum Schutz des Bedieners vor der Wirkung von Schwingungen fest wie zum Beispiel: Wartung von Elektrowerkzeug und Einsatzwerkzeugen, Warmhalten der Hände, Organisation der Arbeitsabläufe.

⚠ WARNUNG! Lesen Sie alle Sicherheitshinweise und Anweisungen, auch die in der beiliegenden Broschüre. Versäumnisse bei der Einhaltung der Sicherheitshinweise und Anweisungen können elektrischen Schlag, Brand und/oder schwere Verletzungen verursachen.
Bewahren Sie alle Sicherheitshinweise und Anweisungen für die Zukunft auf.

SPEZIELLE SICHERHEITSHINWEISE

Gemeinsame Sicherheitshinweise zum Schleifen, Sandpapierschleifen, Arbeiten mit Drahtbürsten und Trennschleifen

a) Dieses Elektrowerkzeug ist zu verwenden als Schleifer, Sandpapierschleifer, Drahtbürste und Trennschleifmaschine. Beachten Sie alle Sicherheitshinweise, Anweisungen, Darstellungen und Daten, die Sie mit dem Elektrowerkzeug erhalten. Wenn Sie die folgenden Anweisungen nicht beachten, kann es zu elektrischem Schlag, Feuer und/oder schweren Verletzungen kommen.

b) Dieses Elektrowerkzeug ist nicht geeignet zum Polieren. Verwendungen, für die das Elektrowerkzeug nicht vorgesehen ist, können Gefährdungen und Verletzungen verursachen.

c) Verwenden Sie kein Zubehör, das vom Hersteller nicht speziell für dieses Elektrowerkzeug vorgesehen und empfohlen wurde. Nur weil Sie das Zubehör an Ihrem Elektrowerkzeug befestigen können, garantiert das keine sichere Verwendung.

d) Die zulässige Drehzahl des Einsatzwerkzeugs muss mindestens so hoch sein wie die auf dem Elektrowerkzeug angegebene Höchstdrehzahl. Zubehör, das sich schneller als zulässig dreht, kann zerbrechen und umherfliegen.

e) Außendurchmesser und Dicke des Einsatzwerkzeugs müssen den Maßangaben Ihres Elektrowerkzeugs entsprechen. Falsch bemessene Einsatzwerkzeuge können nicht ausreichend abgeschirmt oder kontrolliert werden.

f) Schleifscheiben, Flansche, Schleifteller oder anderes Zubehör müssen genau auf die Schleifspindel Ihres

Elektrowerkzeugs passen. Einsatzwerkzeuge, die nicht genau auf die Schleifspindel des Elektrowerkzeugs passen, drehen sich ungleichmäßig, vibrieren sehr stark und können zum Verlust der Kontrolle führen.

g) Verwenden Sie keine beschädigten Einsatzwerkzeuge. Kontrollieren Sie vor jeder Verwendung Einsatzwerkzeuge wie Schleifscheiben auf Absplinterungen und Risse, Schleifteller auf Risse, Verschleiß oder starke Abnutzung, Drahtbürsten auf lose oder gebrochene Drähte. Wenn das Elektrowerkzeug oder das Einsatzwerkzeug herunterfällt, überprüfen Sie, ob es beschädigt ist, oder verwenden Sie ein unbeschädigtes Einsatzwerkzeug. Wenn Sie das Einsatzwerkzeug kontrolliert und eingesetzt haben, halten Sie und in der Nähe befindliche Personen sich außerhalb der Ebene des rotierenden Einsatzwerkzeugs auf und lassen Sie das Elektrowerkzeug eine Minute lang mit Höchstdrehzahl laufen. Beschädigte Einsatzwerkzeuge brechen meist in dieser Testzeit.

h) Tragen Sie persönliche Schutzausrüstung. Verwenden Sie je nach Anwendung Vollgesichtsschutz, Augenschutz oder Schutzbrille. Soweit angemessen, tragen Sie Staubmaske, Gehörschutz, Schutzhandschuhe oder Spezialschürze, die kleine Schleif- und Materialpartikel von Ihnen fernhält. Die Augen sollen vor herumfliegenden Fremdkörpern geschützt werden, die bei verschiedenen Anwendungen entstehen. Staub- oder Atemschutzmaske müssen den bei der Anwendung entstehenden Staub filtern. Wenn Sie lange lautem Lärm ausgesetzt sind, können Sie einen Hörverlust erleiden.

i) Achten Sie bei anderen Personen auf sicheren Abstand zu Ihrem Arbeitsbereich. Jeder, der den Arbeitsbereich betritt, muss persönliche Schutzausrüstung tragen. Bruchstücke des Werkstücks oder gebrochener Einsatzwerkzeuge können wegfliegen und Verletzungen auch außerhalb des direkten Arbeitsbereichs verursachen.

j) Fassen Sie das Elektrowerkzeug nur an den isolierten Griffflächen an, wenn Sie Arbeiten ausführen, bei denen das Einsatzwerkzeug verborgene Stromleitungen oder das eigene Netzkabel treffen kann. Kontakt mit einer span-

nungsführenden Leitung setzt auch Metallteile des Elektrowerkzeugs unter Spannung und führt zu einem elektrischen Schlag.

k) Halten Sie das Netzkabel von sich drehenden Einsatzwerkzeugen fern. Wenn Sie die Kontrolle über das Elektrowerkzeug verlieren, kann das Netzkabel durchtrennt oder erfasst werden und Ihre Hand oder Ihr Arm in das sich drehende Einsatzwerkzeug geraten.

l) Legen Sie das Elektrowerkzeug niemals ab, bevor das Einsatzwerkzeug völlig zum Stillstand gekommen ist. Das sich drehende Einsatzwerkzeug kann in Kontakt mit der Ablagefläche geraten, wodurch Sie die Kontrolle über das Elektrowerkzeug verlieren können.

m) Lassen Sie das Elektrowerkzeug nicht laufen, während Sie es tragen. Ihre Kleidung kann durch zufälligen Kontakt mit dem sich drehenden Einsatzwerkzeug erfasst werden, und das Einsatzwerkzeug sich in Ihren Körper bohren.

n) Reinigen Sie regelmäßig die Lüftungsschlitze Ihres Elektrowerkzeugs. Das Motorgebläse zieht Staub in das Gehäuse, und eine starke Ansammlung von Metallstaub kann elektrische Gefahren verursachen.

o) Verwenden Sie das Elektrowerkzeug nicht in der Nähe brennbarer Materialien. Funken können diese Materialien entzünden.

p) Verwenden Sie keine Einsatzwerkzeuge, die flüssige Kühlmittel erfordern. Die Verwendung von Wasser oder anderen flüssigen Kühlmitteln kann zu einem elektrischen Schlag führen.

Rückschlag und entsprechende Sicherheitshinweise

Rückschlag ist die plötzliche Reaktion infolge eines hakenden oder blockierten drehenden Einsatzwerkzeugs, wie Schleifscheibe, Schleifteller, Drahtbürste usw. Verhaken oder Blockieren führt zu einem abrupten Stopp des rotierenden Einsatzwerkzeugs. Dadurch wird ein unkontrolliertes Elektrowerkzeug gegen die Drehrichtung des Einsatzwerkzeugs an der Blockierstelle beschleunigt.

Wenn z. B. eine Schleifscheibe im Werkstück hakt oder blockiert, kann sich die Kante der Schleifscheibe, die in das Werkstück eintaucht, verfangen und dadurch die Schleifscheibe ausbrechen oder einen Rückschlag verursachen. Die Schleifscheibe bewegt sich dann auf die Bedienperson zu oder von ihr weg, je nach Drehrichtung der Scheibe an der Blockierstelle. Hierbei können Schleifscheiben auch brechen. Ein Rückschlag ist die Folge eines falschen oder fehlerhaften Gebrauchs des Elektrowerkzeugs. Er kann durch geeignete Vorsichtsmaßnahmen, wie nachfolgend beschrieben, verhindert werden.

a) Halten Sie das Elektrowerkzeug gut fest und bringen Sie Ihren Körper und Ihre Arme in eine Position, in der Sie die Rückschlagkräfte abfangen können. Verwenden Sie immer den Zusatzgriff, falls vorhanden, um die größtmögliche Kontrolle über Rückschlagkräfte oder Reaktionsmomente beim Hochlauf zu haben. Die Bedienperson kann durch geeignete Vorsichtsmaßnahmen die Rückschlag- und Reaktionskräfte beherrschen.

b) Bringen Sie Ihre Hand nie in die Nähe sich drehender Einsatzwerkzeuge. Das Einsatzwerkzeug kann sich beim Rückschlag über Ihre Hand bewegen.

c) Meiden Sie mit Ihrem Körper den Bereich, in den das Elektrowerkzeug bei einem Rückschlag bewegt wird. Der Rückschlag treibt das Elektrowerkzeug in die Richtung entgegengesetzt zur Bewegung der Schleifscheibe an der Blockierstelle.

d) Arbeiten Sie besonders vorsichtig im Bereich von Ecken, scharfen Kanten usw. Verhindern Sie, dass Einsatzwerkzeuge vom Werkstück zurückprallen und verkleben. Das rotierende Einsatzwerkzeug neigt bei Ecken, scharfen Kanten oder wenn es abrällt, dazu, sich zu verkleben. Dies verursacht einen Kontrollverlust oder Rückschlag.

e) Verwenden Sie kein Ketten- oder gezähntes Sägeblatt. Solche Einsatzwerkzeuge verursachen häufig einen Rückschlag oder den Verlust der Kontrolle über das Elektrowerkzeug.

Besondere Sicherheitshinweise zum Schleifen und Trennschleifen

a) Verwenden Sie ausschließlich die für Ihr Elektrowerkzeug zugelassenen Schleifkörper und die für diese Schleifkörper vorgesehene Schutzhaube. Schleifkörper, die nicht für das Elektrowerkzeug vorgesehen sind, können nicht ausreichend abgeschirmt werden und sind unsicher.

b) Verwenden Sie immer die Schutzhaube, die für die verwendete Art von Schleifkörper vorgesehen ist. Die Schutzhaube muss sicher am Elektrowerkzeug angebracht und so eingestellt sein, dass ein Höchstmaß an Sicherheit erreicht wird, d. h. der kleinstmögliche Teil des Schleifkörpers zeigt offen zur Bedienperson. Die Schutzhaube soll die Bedienperson vor Bruchstücken und zufälligem Kontakt mit dem Schleifkörper schützen.

c) Schleifkörper dürfen nur für die empfohlenen Einsatzmöglichkeiten verwendet werden. Z. B.: Schleifen Sie nie mit der Seitenfläche einer Trennscheibe. Trennscheiben sind zum Materialabtrag mit der Kante der Scheibe bestimmt. Seitliche Krafteinwirkung auf diese Schleifkörper kann sie zerbrechen.

d) Verwenden Sie immer unbeschädigte Spannflansche in der richtigen Größe und Form für die von Ihnen gewählte Schleifscheibe. Geeignete Flansche stützen die Schleifscheibe und verringern so die Gefahr eines Schleifscheibenbruchs. Flansche für Trennscheiben können sich von den Flanschen für andere Schleifscheiben unterscheiden.

e) Verwenden Sie keine abgenutzten Schleifscheiben von größeren Elektrowerkzeugen. Schleifscheiben für größere Elektrowerkzeuge sind nicht für die höheren Drehzahlen von kleineren Elektrowerkzeugen ausgelegt und können brechen.

Weitere besondere Sicherheitshinweise zum Trennschleifen

a) Vermeiden Sie ein Blockieren der Trennscheibe oder zu hohen Anpressdruck. Führen Sie keine übermäßig tiefen Schnitte aus. Eine Überlastung der Trennscheibe erhöht deren Beanspruchung und die Anfälligkeit zum Verkanten oder Blockieren und damit die Möglichkeit eines Rückschlags oder Schleifkörperbruchs.

b) Meiden Sie den Bereich vor und hinter der rotierenden Trennscheibe. Wenn Sie die Trennscheibe im Werkstück von sich weg bewegen, kann im Falle eines Rückschlags das Elektrowerkzeug mit der sich drehenden Scheibe direkt auf Sie zugeschleudert werden.

c) Falls die Trennscheibe verklemt oder Sie die Arbeit unterbrechen, schalten Sie das Elektrowerkzeug aus und halten Sie es ruhig, bis die Scheibe zum Stillstand gekommen ist. Versuchen Sie nie, die noch laufende Trennscheibe aus dem Schnitt zu ziehen, sonst kann ein Rückschlag erfolgen. Ermitteln und beheben Sie die Ursache für das Verkleben.

d) Schalten Sie das Elektrowerkzeug nicht wieder ein, solange es sich im Werkstück befindet. Lassen Sie die Trennscheibe erst ihre volle Drehzahl erreichen, bevor Sie den Schnitt vorsichtig fortsetzen. Anderenfalls kann die Scheibe verhaken, aus dem Werkstück springen oder einen Rückschlag verursachen.

e) Stützen Sie Platten oder große Werkstücke ab, um das Risiko eines Rückschlags durch eine eingeklemmte Trennscheibe zu vermindern. Große Werkstücke können sich unter ihrem eigenen Gewicht durchbiegen. Das Werkstück muss auf beiden Seiten abgestützt werden, und zwar sowohl in der Nähe des Trennschnitts als auch an der Kante.

f) Seien Sie besonders vorsichtig bei „Taschenschnitten“ in bestehende Wände oder andere nicht einsehbare Bereiche. Die eintauchende Trennscheibe kann beim Schneiden in Gas- oder Wasserleitungen, elektrische Leitungen oder andere Objekte einen Rückschlag verursachen.

Besondere Sicherheitshinweise zum Sandpapierschleifen

a) Benutzen Sie keine überdimensionierten Schleifblätter, sondern befolgen Sie die Herstellerangaben zur Schleifblattgröße. Schleifblätter, die über den Schleifteller hinausragen, können Verletzungen verursachen sowie zum Blockieren, Zerreißen der Schleifblätter oder zum Rückschlag führen.

Besondere Sicherheitshinweise zum Arbeiten mit Drahtbürsten

a) Beachten Sie, dass die Drahtbürste auch während des üblichen Gebrauchs Drahtstücke verliert. Überlasten Sie die Drähte nicht durch zu hohen Anpressdruck. Wegfliegende Drahtstücke können sehr leicht durch dünne Kleidung und/oder die Haut dringen.

b) Wird eine Schutzhaube empfohlen, verhindern Sie, dass sich Schutzhaube und Drahtbürste berühren können. Teller- und Topfbürsten können durch Anpressdruck und Zentrifugalkräfte ihren Durchmesser vergrößern.

Steckdosen in Außenbereichen müssen mit Fehlerstrom-Schutzschaltern (FI, RCD, PRCD) ausgerüstet sein. Das verlangt die Installationsvorschrift für Ihre Elektroanlage. Bitte beachten Sie das bei der Verwendung unseres Gerätes.

Späne oder Splitter dürfen bei laufender Maschine nicht entfernt werden.

Maschine nur ausgeschaltet an die Steckdose anschließen.

Nicht in den Gefahrenbereich der laufenden Maschine greifen.

Stets den Zusatzhandgriff verwenden.

Gerät sofort ausschalten, wenn beträchtliche Schwingungen auftreten oder andere Mängel festgestellt werden. Überprüfen Sie die Maschine, um die Ursache festzustellen.

Schleifscheiben stets gemäß den Angaben des Herstellers verwenden und aufbewahren.

Beim Schleifen von Metallen entsteht Funkenflug. Darauf achten, dass keine Personen gefährdet werden. Wegen der Brandgefahr dürfen sich keine brennbaren Materialien in der Nähe (Funkenflugbereich) befinden. Keine Staubabsaugung verwenden.

Gerät immer so halten, dass Funken oder Schleifstaub vom Körper wegfliegen.

Zum Trennen von Stein ist der Führungsschleiftrichter Vorschrift. Die Flanschmutter muss vor Inbetriebnahme der Maschine angezogen sein.

Das zu bearbeitende Werkstück muss festgespannt werden, sofern es nicht durch sein Eigengewicht hält. Niemals Werkstück mit der Hand gegen die Scheibe führen.

Bei extremen Einsatzbedingungen (z. B. beim Glattschleifen von Metallen mit dem Stützsteller und Vulkanfieber-Schleifscheiben) kann sich eine starke Verschmutzung im Inneren des Winkelschleifers aufbauen. Bei solchen Einsatzbedingungen ist aus Sicherheitsgründen eine gründliche Reinigung im Inneren von Metallablagern und zwingend das Vorschalten eines Fehlerstrom- (FI) Schutzschalters erforderlich. Nach Ansprechen des FI-Schutzschalters muss die Maschine zur Reparatur eingesandt werden.

Vergewissern Sie sich bei Schleifwerkzeugen mit Gewindeeinsatz, dass das Gewinde lang genug ist, um die Spindellänge aufzunehmen.

Für Trennarbeiten geschlossenen Schutzhaube aus dem Zubehörprogramm verwenden.

BESTIMMUNGSGEMÄßE VERWENDUNG

Der Winkelschleifer ist einsetzbar zum Trennen und Schruppschleifen von vielen Materialien, wie z. B. Metall oder Stein, sowie zum Schleifen mit Kunststoffschleifteller und zum Arbeiten mit der Stahldrahtbürste. Beachten Sie im Zweifelsfall die Hinweise der Zubehörhersteller.

Dieses Gerät darf nur wie angegeben bestimmungsgemäß verwendet werden.

CE-KONFORMITÄTSERKLÄRUNG

Wir erklären in alleiniger Verantwortung, dass dieses Produkt mit den folgenden Normen oder normativen Dokumenten übereinstimmt:

EN 60745-1:2009+A11:2010

EN 60745-2-3:2011

EN 55014-1:2006+A1:2009+A2:2011

EN 55014-2:1997+A1:2001+A2:2008

EN 61000-3-2:2006+A1:2009+A2:2009

EN 61000-3-3:2008

gemäß den Bestimmungen der Richtlinien

2011/65/EU (RoHS)

2006/42/EG
2004/108/EG.



Winnenden, 2012-09-09

Rainer Kumpf
Director Product Development

Bevollmächtigt die technischen Unterlagen zusammenzustellen

NETZANSCHLUSS

Nur an Einphasen-Wechselstrom und nur an die auf dem Leistungsschild angegebene Netzspannung anschließen. Anschluss ist auch an Steckdosen ohne Schutzkontakt möglich, da ein Aufbau der Schutzklasse II vorliegt.

ELEKTRONIK

Die Elektronik regelt die Drehzahl bei steigender Belastung nach. Bei längerer Überlastung schaltet die Elektronik auf reduzierte Drehzahl. Die Maschine läuft langsam weiter zum Kühlen der Motorwicklung. Nach Aus- und Wiedereinschalten kann mit der Maschine im Nennlastbereich weitergearbeitet werden.

WARTUNG

Stets die Lüftungsschlitze der Maschine sauber halten. Wegen Kurzschlussgefahr dürfen Metallteile nicht in die Lüftungsschlitze gelangen.

Nur Milwaukee Zubehör und Ersatzteile verwenden. Bauteile, deren Austausch nicht beschrieben wurde, bei einer Milwaukee Kundendienststelle auswechseln lassen (Broschüre Garantie/ Kundendienstadressen beachten).

Bei Bedarf kann eine Explosionszeichnung des Gerätes unter Angabe der Maschinen Type und der zehnstelligen Nummer auf dem Leistungsschild bei Ihrer Kundendienststelle oder direkt bei Milwaukee Electric Tool, Max-Eyth-Straße 10, D-71364 Winnenden, Germany angefordert werden.

SYMBOL E



Bitte lesen Sie die Gebrauchsanweisung vor Inbetriebnahme sorgfältig durch.



Beim Arbeiten mit der Maschine stets Schutzbrille tragen.



Vor allen Arbeiten an der Maschine Stecker aus der Steckdose ziehen.



Zubehör - Im Lieferumfang nicht enthalten, empfohlene Ergänzung aus dem Zubehörprogramm.



Werfen Sie Elektrowerkzeuge nicht in den Hausmüll! Gemäss Europäischer Richtlinie 2002/96/EG über Elektro- und Elektronik- Altgeräte und Umsetzung in nationales Recht müssen verbrauchte Elektrowerkzeuge getrennt gesammelt und einer umweltgerechten Wiederverwertung zugeführt werden.



Schutzklasse II, Elektrowerkzeug, bei dem der Schutz gegen elektrischen Schlag nicht nur von der Basisisolierung abhängt, sondern in dem zusätzliche Schutzmaßnahmen, wie doppelte Isolierung oder verstärkte Isolierung, angewendet werden.

CARACTÉRISTIQUES TECHNIQUES	Meuleuse d'Angl	AGV17-125XE	AGV17-125XE DMS
Puissance nominale de réception.....	1750 W	1750 W	1750 W
Puissance utile.....	1150 W	1150 W	1150 W
Vitesse de rotation à vide max.....	2600-11000 min ⁻¹	2600-11000 min ⁻¹	2600-11000 min ⁻¹
Diamètre de meule.....	125 mm	125 mm	125 mm
Filetage de l'arbre.....	M 14	M 14	M 14
Poids suivant EPTA-Procédure 01/2003.....	2,8 kg	2,8 kg	2,8 kg

Informations sur le bruit et les vibrations

Valeurs de mesure obtenues conformément à la EN 60 745.

Les mesures réelles (A) des niveaux acoustiques de l'appareil sont :

Niveau de pression acoustique (K=3 dB(A)).....	90 dB(A)	90 dB(A)
Niveau d'intensité acoustique (K=3 dB(A)).....	101 dB(A)	101 dB(A)

Toujours porter une protection acoustique!

Valeurs totales des vibrations (somme vectorielle de trois sens) établies conformément à EN 60745.

Tronçonnage à la meule et de dégrossissage: valeur d'émission d'oscillations a _h	9 m/s ²	9 m/s ²
Incertitude K =	1,5 m/s ²	1,5 m/s ²
Rectification avec disque de rectification en matière plastique: valeur d'émission d'oscillations a _h	3,65 m/s ²	3,65 m/s ²
Incertitude K =	1,5 m/s ²	1,5 m/s ²

Des valeurs de vibration différentes peuvent se présenter pendant d'autres applications, comme par exemple le tronçonnage ou le polissage avec la brosse à fils métalliques !

AVERTISSEMENT

Le niveau vibratoire indiqué dans ces instructions a été mesuré selon un procédé de mesure normalisé dans la norme EN 60745 et peut être utilisé pour comparer des outils électriques entre eux. Il convient aussi à une estimation provisoire de la sollicitation par les vibrations.

Le niveau vibratoire indiqué représente les applications principales de l'outil électrique. Toutefois, si l'outil électrique est utilisé pour d'autres applications, avec des outils rapportés qui diffèrent ou une maintenance insuffisante, il se peut que le niveau vibratoire diverge. Cela peut augmenter nettement la sollicitation par les vibrations sur tout l'intervalle de temps du travail.

Pour une estimation précise de la sollicitation par les vibrations, on devrait également tenir compte des temps pendant lesquels l'appareil n'est pas en marche ou tourne sans être réellement en service. Cela peut réduire nettement la sollicitation par les vibrations sur tout l'intervalle de temps du travail.

Définissez des mesures de sécurité supplémentaires pour protéger l'utilisateur contre l'influence des vibrations, comme par exemple : la maintenance de l'outil électrique et des outils rapportés, le maintien au chaud des mains, l'organisation des déroulements de travail.

⚠ AVERTISSEMENT! Lisez toutes les consignes de sécurité et les instructions, même celles qui se trouvent dans la brochure ci-jointe. Le non-respect des avertissements et instructions indiqués ci après peut entraîner un choc électrique, un incendie et/ou de graves blessures sur les personnes.
Bien garder tous les avertissements et instructions.

INSTRUCTIONS DE SÉCURITÉ PARTICULIÈRES

Avertissements communs pour le meulage, le ponçage au papier de verre, les travaux avec brosses métalliques et le tronçonnage :

a) Cet outil électrique est destiné à fonctionner comme meuleuse, perceuse, brosse métallique ou outil à tronçonner. Lire toutes les mises en garde de sécurité, les instructions, les illustrations et les spécifications fournies avec cet outil électrique. Le fait de ne pas suivre toutes les instructions données ci-dessous peut provoquer un choc électrique, un incendie et/ou une blessure grave.

b) Cet outil électrique ne convient pas la toile émeri et au polissage. Les cas d'utilisation pour lesquels l'outil électrique n'est pas prévu peuvent présenter des mises en danger et être à l'origine de blessures.

c) Ne pas utiliser d'accessoires non conçus spécifiquement et recommandés par le fabricant d'outils. Le simple fait que l'accessoire puisse être fixé à votre outil électrique ne garantit pas un fonctionnement en toute sécurité.

d) La vitesse assignée de l'accessoire doit être au moins égale à la vitesse maximale indiquée sur l'outil électrique. Les accessoires fonctionnant plus vite que leur vitesse assignée peuvent se rompre et voler en éclat.

e) Le diamètre extérieur et l'épaisseur de votre accessoire doivent se situer dans le cadre des caractéristiques de capacité de votre outil électrique. Les accessoires dimensionnés de façon incorrecte ne peuvent pas être protégés ou commandés de manière appropriée.

f) La taille de mandrin des meules, flasques, patins d'appui ou tout autre accessoire doit s'adapter correctement à l'arbre de l'outil électrique. Les accessoires avec alésages centraux ne

mettre « sous tension » les parties métalliques exposées de l'outil électrique et provoquer un choc électrique sur l'opérateur.

k) Placer le câble éloigné de l'accessoire de rotation. Si vous perdez le contrôle, le câble peut être coupé ou subir un accroç et votre main ou votre bras peut être tiré dans l'accessoire de rotation.

l) Ne jamais reposer l'outil électrique avant que l'accessoire n'ait atteint un arrêt complet. L'accessoire de rotation peut agripper la surface et arracher l'outil électrique hors de votre contrôle.

m) Ne pas faire fonctionner l'outil électrique en le portant sur le côté. Un contact accidentel avec l'accessoire de rotation pourrait accrocher vos vêtements et attirer l'accessoire sur vous.

n) Nettoyer régulièrement les orifices d'aération de l'outil électrique. Le ventilateur du moteur attirera la poussière à l'intérieur du boîtier et une accumulation excessive de poudre de métal peut provoquer des dangers électriques.

o) Ne pas faire fonctionner l'outil électrique à proximité de matériaux inflammables. Des étincelles pourraient enflammer ces matériaux.

p) Ne pas utiliser d'accessoires qui nécessitent des réfrigérants fluides. L'utilisation d'eau ou d'autres réfrigérants fluides peut aboutir à une électrocution ou un choc électrique.

Rebonds et mises en garde correspondantes

Le rebond est une réaction soudaine au pincement ou à l'accrochage d'une meule rotative, d'un patin d'appui, d'une brosse ou de tout autre accessoire. Le pincement ou l'accrochage provoque un blocage rapide de l'accessoire en rotation qui, à son tour, contraint l'outil électrique hors de contrôle dans le sens opposé de rotation de l'accessoire au point du grippage.

Par exemple, si une meule abrasive est accrochée ou pincée par la pièce à usiner, le bord de la meule qui entre dans le point de pincement peut creuser la surface du matériau, provoquant des sauts ou l'expulsion de la meule. La meule peut sauter en direction de l'opérateur ou encore en s'en éloignant, selon le sens du mouvement de la meule au point de pincement. Les meules abrasives peuvent également se rompre dans ces conditions. Le rebond résulte d'un mauvais usage de l'outil et/ou de procédures ou de conditions de fonctionnement incorrectes et peut être évité en prenant les précautions appropriées spécifiées ci-dessous.

a) Maintenir fermement l'outil électrique et placer votre corps et vos bras pour vous permettre de résister aux forces de rebond. Toujours utiliser une poignée auxiliaire, le cas échéant, pour une maîtrise maximale du rebond ou de la réaction de couple au cours du démarrage. L'opérateur peut maîtriser les couples de réaction ou les forces de rebond, si les précautions qui s'imposent sont prises.

b) Ne jamais placer votre main à proximité de l'accessoire en rotation. L'accessoire peut effectuer un rebond sur votre main.

c) Ne pas vous placer dans la zone où l'outil électrique se déplacera en cas de rebond. Le rebond pousse l'outil dans le sens opposé au mouvement de la meule au point d'accrochage.

d) Apporter un soin particulier lors de travaux dans les coins, les arêtes vives etc. Eviter les rebondissements et les accrochages de l'accessoire. Les coins, les arêtes vives ou les rebondissements ont tendance à accrocher l'accessoire en rotation et à provoquer une perte de contrôle ou un rebond.

e) Ne pas fixer de chaîne coupante, de lame de sculpture sur bois, de chaîne coupante ni de lame de scie dentée. De telles lames provoquent des rebonds fréquents et des pertes de contrôle.

Mises en garde de sécurité spécifiques aux opérations de meulage et de tronçonnage abrasif :

a) Le protecteur doit être solidement fixé à l'outil électrique et placé en vue d'une sécurité maximale, de sorte que l'opérateur soit exposé le moins possible à la meule. Le protecteur permet de protéger l'opérateur des fragments de meule cassée et d'un contact accidentel avec la meule.

b) Utiliser uniquement des types de meules recommandés pour votre outil électrique et le protecteur spécifique conçu pour la meule choisie. Les meules pour lesquelles l'outil électrique n'a pas été conçu ne peuvent pas être protégées de façon satisfaisante et sont dangereuses.

c) Les meules doivent être utilisées uniquement pour les applications recommandées. Par exemple : ne pas meuler avec le côté de la meule à tronçonner. Les meules à tronçonner

abrasives sont destinées au meulage périphérique, l'application de forces latérales à ces meules peut les briser en éclats.

d) Toujours utiliser des flasques de meule non endommagés qui sont de taille et de forme correctes pour la meule que vous avez choisie. Des flasques de meule appropriés supportent la meule réduisant ainsi la possibilité de rupture de la meule. Les flasques pour les meules à tronçonner peuvent être différents des autres flasques de meule.

e) Ne pas utiliser de meules usées d'outils électriques plus grands. La meule destinée à un outil électrique plus grand n'est pas appropriée pour la vitesse plus élevée d'un outil plus petit et elle peut éclater.

Mises en garde de sécurité additionnelles spécifiques aux opérations de tronçonnage abrasif

a) Ne pas « coincer » la meule à tronçonner ou ne pas appliquer une pression excessive. Ne pas tenter d'exécuter une profondeur de coupe excessive. Une contrainte excessive de la meule augmente la charge et la probabilité de torsion ou de blocage de la meule dans la coupe et la possibilité de rebond ou de rupture de la meule.

b) Ne pas vous placer dans l'alignement de la meule en rotation ni derrière celle-ci. Lorsque la meule, au point de fonctionnement, s'éloigne de votre corps, le rebond éventuel peut propulser la meule en rotation et l'outil électrique directement sur vous.

c) Lorsque la meule se bloque ou lorsque la coupe est interrompue pour une raison quelconque, mettre l'outil électrique hors tension et tenir l'outil électrique immobile jusqu'à ce que la meule soit à l'arrêt complet. Ne jamais tenter d'enlever la meule à tronçonner de la coupe tandis que la meule est en mouvement sinon le rebond peut se produire. Rechercher et prendre des mesures correctives afin d'empêcher que la meule ne se grippe.

d) Ne pas reprendre l'opération de coupe dans la pièce à usiner. Laisser la meule atteindre sa pleine vitesse et rentrer avec précaution dans le tronçon. La meule peut se coincer, venir chevaucher la pièce à usiner ou effectuer un rebond si l'on fait redémarrer l'outil électrique dans la pièce à usiner.

e) Prévoir un support de panneaux ou de toute pièce à usiner surdimensionnée pour réduire le risque de pincement et de rebond de la meule. Les grandes pièces à usiner ont tendance à fléchir sous leur propre poids. Les supports doivent être placés sous la pièce à usiner près de la ligne de coupe et près du bord de la pièce des deux côtés de la meule.

f) Soyez particulièrement prudent lorsque vous faites une « coupe en retrait » dans des parois existantes ou dans d'autres zones sans visibilité. La meule saillante peut couper des tuyaux de gaz ou d'eau, des câblages électriques ou des objets, ce qui peut entraîner des rebonds.

Mises en garde de sécurité spécifiques aux opérations de ponçage

a) Ne pas utiliser de papier abrasif trop surdimensionné pour les disques de ponçage. Suivre les recommandations des fabricants, lors du choix du papier abrasif. Un papier abrasif plus grand s'étendant au-delà du patin de ponçage présente un danger de laceration et peut provoquer un accrochage, une déchirure du disque ou un rebond.

Mises en garde de sécurité spécifiques aux opérations de brossage métallique

a) Garder à l'esprit que des brins métalliques sont rejetés par la brosse même au cours d'une opération ordinaire. Ne pas soumettre à une trop grande contrainte les fils métalliques en appliquant une charge excessive à la brosse. Les brins métalliques peuvent aisément pénétrer dans des vêtements légers et/ou la peau.

b) Si l'utilisation d'un protecteur est recommandée pour le brossage métallique, ne permettre aucune gêne du tour et de la brosse métallique au protecteur. Le tour et la brosse métallique peut se dilater en diamètre en raison de la charge de travail et des forces centrifuges.

Les prises de courant se trouvant à l'extérieur doivent être équipées de disjoncteurs différentiel (FI, RCD, PRCD) conformément aux

prescriptions de mise en place de votre installation électrique. Veuillez en tenir compte lors de l'utilisation de notre appareil. Ne jamais enlever les coqueaux ni les éclats lorsque la machine est en marche.

Ne raccorder la machine au réseau que si l'interrupteur est en position arrêté.

Ne jamais intervenir dans la zone dangereuse lorsque la machine est en marche.

Utiliser toujours la poignée supplémentaire.

Ne jamais travailler sans capot protecteur pour des travaux de tronçonnage et de dégrossissage.

Arrêter la machine tout de suite lorsqu'il y a des vibrations importantes ou que d'autres défauts surgissent. Contrôler la machine afin d'en trouver les causes.

Toujours utiliser et conserver les meules conformément aux indications du fabricant.

L'usinage des métaux génère des étincelles. Veiller à ce que personne ne soit exposé à un danger. En raison du risque d'incendie, aucune matière inflammable ou combustible ne doit se trouver dans la zone de projection des étincelles. Ne pas utiliser d'aspirateur de poussières.

Toujours maintenir la machine de façon à ce que étincelles et poussières soient projetées dans la direction opposée au corps.

Le chariot de guidage est obligatoire pour des travaux de tronçonnage de la pierre.

L'écrou du flasque doit être serré avant de mettre en marche la machine.

La pièce à travailler doit être fortement serrée lorsque son propre poids ne suffit pas à la maintenir. Ne jamais guider la pièce à travailler à la main vers la meule.

Dans le cas de conditions d'utilisation extrêmes (par exemple, pendant le polissage à la meule des métaux avec le plateau d'appui et les disques de rectification aux fibres vulcanisées), un encrassement important peut se former à l'intérieur de la meuleuse d'angle. Dans de telles conditions d'utilisation, il est nécessaire pour des raisons de sécurité de procéder à un nettoyage minutieux à l'intérieur pour éliminer les dépôts métalliques et de monter absolument un interrupteur de protection contre les courants de court-circuit en amont. La machine doit nous être expédiée pour une réparation si cet interrupteur de protection se déclenche.

Sur les machines prévues pour les outils abrasifs à orifice fileté, vérifiez que la profondeur du filetage est suffisante pour la longueur de la broche.

Utiliser un capot de protection fermé contenu dans le programme d'accessoires pour les travaux de tronçonnage.

UTILISATION CONFORME AUX PRESCRIPTIONS

La meuleuse d'angle peut être utilisée pour tronçonner et dégrossir de nombreux matériaux, comme par exemple les métaux ou les pierres, ainsi que pour rectifier avec un disque de rectification en matière plastique et pour travailler avec la brosse en fils d'acier. En cas de doute, observer les remarques du fabricant d'accessoires. Comme déjà indiqué, cette machine n'est conçue que pour être utilisée conformément aux prescriptions.

DECLARATION CE DE CONFORMITÉ

Nous déclarons sous notre responsabilité que ce produit est en conformité avec les normes ou documents normalisés suivants
EN 60745-1:2009+A11:2010
EN 60745-2-3:2011
EN 55014-1:2006+A1:2009+A2:2010
EN 55014-2:1997+A1:2001+A2:2008
EN 61000-3-2:2006+A1:2009+A2:2009
EN 61000-3-3:2008
conformément aux réglementations
2011/65/EU (RoHS)
2006/42/CE
2004/108/CE



Winnenden, 2012-09-09

Rainer Kumpf
Director Product Development

Autorisé à compiler la documentation technique.

BRANCHEMENT SECTEUR

Raccorder uniquement à un courant électrique monophasé et uniquement à la tension secteur indiquée sur la plaque signalétique. Le raccordement à des prises de courant sans contact de protection est également possible car la classe de protection II est donnée.

ELECTRONIQUE

L'électronique maintient la vitesse constante quelque soit la charge.

Lors d'une surcharge, l'intensité sera automatiquement réduite jusqu'à diminution de la charge.

ENTRETIEN

Tenir toujours propres les orifices de ventilation de la machine.

En raison de risques de court-circuit, veiller à ce qu'aucune pièce métallique ne pénètre dans les ouïes de ventilation.

N'utiliser que des pièces et accessoires Milwaukee. Pour des pièces dont l'échange n'est pas décrit, s'adresser de préférence aux stations de service après-vente Milwaukee (voir brochure Garantie/Adresses des stations de service après-vente).

Si besoin est, une vue éclatée de l'appareil peut être fournie. S'adresser, en indiquant bien le numéro à dix chiffres porté sur la plaque signalétique, à votre station de service après-vente (voir liste jointe) ou directement à Milwaukee Electric Tool, Max-Eyth-Straße 10, D-71364 Winnenden, Germany

SYMBOLES



Veillez lire avec soin le mode d'emploi avant la mise en service



Toujours porter des lunettes protectrices en travaillant avec la machine.



Avant tous travaux sur la machine extraire la fiche de la prise de courant.



Accessoires - Ces pièces ne font pas partie de la livraison. Il s'agit là de compléments recommandés pour votre machine et énumérés dans le catalogue des accessoires.



Ne pas jeter les appareils électriques dans les ordures ménagères! Conformément à la directive européenne 2002/96/EG relative aux déchets d'équipements électriques ou électroniques (DEEE), et à sa transposition dans la législation nationale, les appareils électriques doivent être collectés à part et être soumis à un recyclage respectueux de l'environnement.



Classe de protection II, outil électrique au niveau duquel la protection contre la foudre ne dépend pas uniquement de l'isolation de base et au niveau duquel des mesures de protection ultérieures ont été prises, telles que la double isolation ou l'isolation augmentée.

DATI TECNICI

	Smerigliatrice	AGV17-125XE	AGV17-125XE DMS
Potenza assorbita nominale	1750 W	1750 W	1750 W
Potenza erogata	1150 W	1150 W	1150 W
Max. numero di giri a vuoto	2600-11000 min ⁻¹	2600-11000 min ⁻¹	2600-11000 min ⁻¹
Ø disco abrasivo	125 mm	125 mm	125 mm
Passo attacco codolo	M 14	M 14	M 14
Peso secondo la procedura EPTA 01/2003	2,8 kg	2,8 kg	2,8 kg

Informazioni sulla rumorosità/sulle vibrazioni

Valori misurati conformemente alla norma EN 60 745.

La misurazione A del livello di pressione acustica dell'utensile è di solito di:

Livello di rumorosità (K=3dB(A))	90 dB(A)	90 dB(A)
Potenza della rumorosità (K=3dB(A))	101 dB(A)	101 dB(A)

Utilizzare le protezioni per l'udito!

Valori totali delle oscillazioni (somma di vettori in tre direzioni) misurati conformemente alla norma EN 60745

Rettilifica di asportazione e di sgrossatura: valore di emissione oscillazioni a _h	9 m/s ²	9 m/s ²
Incertezza della misura K =	1,5 m/s ²	1,5 m/s ²
Rettilifica con disco smerigliatore di plastica: valore di emissione oscillazioni a _h	3,65 m/s ²	3,65 m/s ²
Incertezza della misura K =	1,5 m/s ²	1,5 m/s ²

Per altre applicazioni, come ad esempio troncatura alla mola o la molatura con spazzola d'acciaio, possono essere prodotti altri livelli di vibrazione!

AVVERTENZA

Il livello di vibrazioni indicato nelle presenti istruzioni è stato misurato in conformità con un procedimento di misurazione codificato nella EN 60745 e può essere utilizzato per un confronto tra attrezzi elettrici. Inoltre si può anche utilizzare per una valutazione preliminare della sollecitazione da vibrazioni.

Il livello di vibrazioni indicato rappresenta le applicazioni principali dell'attrezzo elettrico. Se viceversa si utilizza l'attrezzo elettrico per altri scopi, con accessori differenti o con una manutenzione insufficiente, il livello di vibrazioni può risultare diverso. E questo può aumentare decisamente la sollecitazione da vibrazioni lungo l'intero periodo di lavorazione.

Ai fini di una valutazione precisa della sollecitazione da vibrazioni si dovrebbero tenere presente anche i periodi in cui l'apparecchio rimane spento oppure, anche se acceso, non viene effettivamente utilizzato. Ciò può ridurre notevolmente la sollecitazione da vibrazioni lungo l'intero periodo di lavorazione.

Stabilite misure di sicurezza supplementari per la tutela dell'operatore dall'effetto delle vibrazioni, come ad esempio: manutenzione dell'attrezzo elettrico e degli accessori, riscaldamento delle mani, organizzazione dei processi di lavoro.

AVVERTENZA! E' necessario leggere tutte le indicazioni di sicurezza e le istruzioni, anche quelle contenute nella brochure allegata. In caso di mancato rispetto delle avvertenze di pericolo e delle istruzioni operative si potrà creare il pericolo di scosse elettriche, incendi e/o incidenti gravi.
Conservare tutte le avvertenze di pericolo e le istruzioni operative per ogni esigenza futura.

NORME DI SICUREZZA

Istruzioni di sicurezza generali per lavori di levigatura, levigatura con carta vetrata, lavori con spazzole metalliche e troncatura:

a) Questo elettrotensile è previsto per essere utilizzato come levigatrice, levigatrice per carta a vetro, spazzola metallica e troncatrice. Attenersi a tutte le avvertenze di pericolo, istruzioni, rappresentazioni e dati che si ricevono insieme all' elettrotensile. In caso di mancata osservanza delle seguenti istruzioni vi è il pericolo di provocare una scossa elettrica, di sviluppare incendi e/o di provocare seri incidenti.

b) Questo attrezzo elettrico non è idoneo per la lucidatura. Qualsiasi utilizzo non previsto con il presente attrezzo elettrico può causare pericolo e lesioni.

c) Non utilizzare nessun accessorio che la casa costruttrice non abbia esplicitamente previsto e raccomandato per questo elettrotensile. Il semplice fatto che un accessorio possa essere fissato al Vostro elettrotensile non è una garanzia per un impiego sicuro.

d) Il numero di giri ammesso dell'accessorio impiegato deve essere almeno tanto alto quanto il numero massimo di giri riportato sull'elettrotensile. Un accessorio che gira più rapidamente di quanto consentito può rompersi in vari pezzi e venir lanciato intorno.

e) Il diametro esterno e lo spessore dell'accessorio montato devono corrispondere ai dati delle dimensioni dell'elettrotensile in dotazione. In caso di utilizzo di portautensili e di accessori di dimensioni sbagliate non sarà possibile schermarli oppure controllarli a sufficienza.

f) Dischi abrasivi, flange, platorelli oppure altri portautensili ed accessori devono adattarsi perfettamente al mandrino portamola dell'elettrotensile in dotazione. Portautensili ed accessori che non si adattano perfettamente al mandrino portamola dell'elettrotensile non

ruotano in modo uniforme, vibrano molto forte e possono provocare la perdita del controllo.

g) Non utilizzare mai portautensili od accessori danneggiati. Prima di ogni utilizzo controllare i portautensili e gli accessori ed accertarsi che sui dischi abrasivi non vi siano scheggiature o crepature, che il platorello non sia soggetto ad incrinature, crepature o forte usura e che le spazzole metalliche non abbiano fili metallici allentati oppure rotti. Se l'elettrotensile oppure l'accessorio impiegato dovesse sfuggire dalla mano e cadere, accertarsi che questo non abbia subito nessun danno oppure utilizzare un accessorio intatto. Una volta controllato e montato il portautensile o accessorio, far funzionare l'elettrotensile per la durata di un minuto con il numero massimo di giri avendo cura di tenersi lontani e di impedire anche ad altre persone presenti di avvicinarsi ai portautensili o accessorio in rotazione. Nella maggior parte dei casi i portautensili o accessori danneggiati si rompono nel corso di questo periodo di prova.

h) Indossare abbigliamento di protezione. A seconda dell'applicazione in corso utilizzare una visiera completa, maschera di protezione per gli occhi oppure occhiali di sicurezza. Per quanto necessario, portare maschere per polveri, protezione acustica, guanti di protezione oppure un grembiule speciale in grado di proteggervi da piccole particelle di levigatura o di materiale. Gli occhi dovrebbero essere protetti da corpi estranei espulsi in aria nel corso di diverse applicazioni. La maschera antipolvere e la maschera respiratoria devono essere in grado di filtrare la polvere provocata durante l'applicazione. Esponendosi per lungo tempo ad un rumore troppo forte vi è il pericolo di perdere l'udito.

i) Avere cura di evitare che altre persone possano avvicinarsi alla zona in cui si sta lavorando. Ogni persona che entra nella zona di operazione deve indossare un abbigliamento protettivo personale. Frammenti del pezzo in lavorazione oppure utensili rotti possono volare via oppure provocare incidenti anche al di fuori della zona diretta di lavoro.

j) Quando si eseguono lavori in cui vi è pericolo che l'accessorio impiegato possa arrivare a toccare cavi elettrici nascosti oppure anche il cavo elettrico della macchina stessa, tenere l'elettrotensile afferrandolo sempre alle superfici di impugnatura

isolate. Un contatto con un cavo elettrico mette sotto tensione anche le parti in metallo dell'elettrotensile e provoca quindi una scossa elettrica.

k) Tenere il cavo di collegamento elettrico sempre lontano da portautensili o accessori in rotazione. Se si perde il controllo sull'elettrotensile vi è il pericolo di troncatura o di colpire il cavo di collegamento elettrico e la Vostra mano o braccio può arrivare a toccare il portautensili o accessorio in rotazione.

l) Mai poggiare l'elettrotensile prima che il portautensili o l'accessorio impiegato non si sia fermato completamente. L'utensile in rotazione può entrare in contatto con la superficie di appoggio facendoVi perdere il controllo sulla macchina pneumatica.

m) Mai trasportare l'elettrotensile mentre questo dovesse essere ancora in funzione. Attraverso un contatto casuale l'utensile in rotazione potrebbe fare presa sugli indumenti oppure sui capelli dell'operatore e potrebbe arrivare a ferire seriamente il corpo dell'operatore.

n) Pulire regolarmente le feritoie di ventilazione dell'elettrotensile in dotazione. Il ventilatore del motore attira polvere nella carcassa ed una forte raccolta di polvere di metallo può provocare pericoli di origine elettrica.

o) Non utilizzare mai l'elettrotensile nelle vicinanze di materiali infiammabili. Le scintille possono far prendere fuoco questi materiali.

p) Non utilizzare mai accessori che richiedano refrigeranti liquidi. L'utilizzo di acqua o di altri liquidi refrigeranti può provocare una scossa di corrente elettrica.

Contraccollo e relative avvertenze di pericolo

Un contraccollo è l'improvvisa reazione in seguito ad agganciamento oppure blocco di accessorio in rotazione come può essere un disco abrasivo, platorello, spazzola metallica ecc.. Agganciandosi oppure bloccandosi il portautensili o accessorio provoca un arresto improvviso della rotazione dello stesso. In questo caso l'operatore non è più in grado di controllare l'elettrotensile ed al punto di blocco si provoca un rimbalzo dello stesso che avviene nella direzione opposta a quella della rotazione del portautensili o dell'accessorio.

Se p. es. un disco abrasivo resta agganciato o bloccato nel pezzo in lavorazione, il bordo del disco abrasivo che si abbassa nel pezzo in lavorazione può rimanere impigliato provocando in questo modo una rottura oppure un contraccollo del disco abrasivo. Il disco abrasivo si avvicina o si allontana dall'operatore a seconda della direzione di rotazione che ha nel momento in cui si blocca. In tali situazioni è possibile che le mole abrasive possano anche rompersi.

Un contraccollo è la conseguenza di un utilizzo non appropriato oppure non corretto dell'elettrotensile. Esso può essere evitato soltanto prendendo misure adatte di sicurezza come dalla descrizione che segue.

a) Tenere sempre ben saldo l'elettrotensile e portare il proprio corpo e le proprie braccia in una posizione che Vi permetta di compensare le forze di contraccollo. Se disponibile, utilizzare sempre l'impugnatura supplementare in modo da poter avere sempre il maggior controllo possibile su forze di contraccolpi oppure momenti di reazione che si sviluppano durante la fase in cui la macchina raggiunge il regime di pieno carico. Prendendo appropriate misure di precauzione l'operatore può essere in grado di tenere sotto controllo le forze di contraccollo e quelle di reazione a scatti.

b) Mai avvicinare la propria mano alla zona degli utensili in rotazione. Nel corso dell'azione di contraccollo il portautensili o accessorio potrebbe passare sulla Vostra mano.

c) Evitare di avvicinarsi con il proprio corpo alla zona in cui l'elettrotensile viene mosso in caso di un contraccollo. Un contraccollo provoca uno spostamento improvviso dell'elettrotensile che si sviluppa nella direzione opposta a quella della rotazione della mola abrasiva al punto di blocco.

d) Operare con particolare attenzione in prossimità di spigoli, spigoli taglienti ecc.. Avere cura di impedire che portautensili o accessori possano rimbalzare dal pezzo in lavorazione oppure possano rimanervi bloccati. L'utensile in rotazione ha la tendenza a rimanere bloccato in angoli, spigoli taglienti oppure in caso di rimbalzo. Ciò provoca una perdita del controllo oppure un contraccollo.

e) Non utilizzare seghe a catena e neppure lame dentellate. Questo tipo di accessori provocano spesso un contraccollo oppure la perdita del controllo sull'elettrotensile.

Particolari avvertenze di pericolo per operazioni di levigatura e di troncatura

a) Utilizzare esclusivamente utensili abrasivi che siano esplicitamente ammessi per l'elettrotensile in dotazione e sempre in combinazione con la cuffia di protezione prevista per ogni utensile abrasivo. Utensili abrasivi che non sono previsti per l'elettrotensile non possono essere sufficientemente schermati e sono insicuri.

b) Utilizzare sempre la cuffia di protezione prevista per il tipo di utensile abrasivo utilizzato. La cuffia di protezione deve essere applicata con sicurezza all'elettrotensile e regolata in modo tale da poter garantire il massimo possibile di sicurezza, cioè, che la parte dell'utensile abrasivo che senza protezione indica verso l'operatore deve essere ridotta al minimo possibile. La cuffia di protezione ha il compito di proteggere l'operatore da frammenti e da contatti accidentali con l'utensile abrasivo.

c) Utensili abrasivi possono essere utilizzati esclusivamente per le possibilità applicative esplicitamente raccomandate. P. es.: Mai eseguire lavori di levigatura con la superficie laterale di un disco abrasivo da taglio diritto. Mole abrasive da taglio diritto sono previste per l'asportazione di materiale con il bordo del disco. Esercitando dei carichi laterali su questi utensili abrasivi vi è il pericolo di romperli.

d) Per la mola abrasiva selezionata, utilizzare sempre flange di serraggio che siano in perfetto stato e che siano della corretta dimensione e forma. Flange adatte hanno una funzione di corretto supporto della mola abrasiva riducendo il più possibile il pericolo di una rottura della mola abrasiva. È possibile che vi sia una differenza tra flange per mole abrasive da taglio diritto e flange per mole abrasive di altro tipo.

e) Non utilizzare mai mole abrasive usurate previste per elettrotensili più grandi. Mole abrasive previste per elettrotensili più grandi non sono concepite per le maggiori velocità di elettrotensili più piccoli e possono rompersi.

Ulteriori avvertenze di pericolo specifiche per lavori di troncatura

a) Evitare di far bloccare il disco abrasivo da taglio diritto oppure di esercitare una pressione troppo alta. Non eseguire tagli eccessivamente profondi. Sotto il peso della mola da taglio diritto a carico eccessivo se ne aumenta la sollecitazione e la si rende maggiormente soggetta ad angolarità improprie o a blocchi venendo così a creare il pericolo di contraccollo oppure di rottura dell'utensile abrasivo.

b) Evitare di avvicinarsi alla zona anteriore o posteriore al disco abrasivo da taglio in rotazione. Quando l'operatore manovra la mola da taglio diritto nel pezzo in lavorazione in direzione opposta a quella della propria persona, può capitare che in caso di un contraccollo il disco in rotazione faccia rimbalzare con violenza l'elettrotensile verso l'operatore.

c) Qualora il disco abrasivo da taglio diritto dovesse incepparsi oppure si dovesse interrompere il lavoro, spegnere l'elettrotensile e tenerlo fermo fino a quando il disco si sarà fermato completamente. Non tentare mai di estrarre il disco abrasivo dal taglio in esecuzione perché si potrebbe provocare un contraccollo. Rilevare ed eliminare la causa per il blocco.

d) Mai rimettere l'elettrotensile in funzione fintanto che esso si trovi ancora nel pezzo in lavorazione. Prima di continuare ad eseguire il taglio procedendo con la dovuta attenzione, attendere che il disco abrasivo da taglio diritto abbia raggiunto la massima velocità. In caso contrario è possibile che il disco resti agganciato, sbalzi dal pezzo in lavorazione oppure provochi un contraccollo.

e) Dotare di un supporto adatto pannelli oppure pezzi in lavorazione di dimensioni maggiori in modo da ridurre il rischio di un contraccollo dovuto ad un disco abrasivo da taglio diritto che rimane bloccato. Pezzi in lavorazione di dimensioni maggiori possono piegarsi sotto l'effetto del proprio peso. Provvedere a munire il pezzo in lavorazione di supporti adatti al caso specifico sia nelle vicinanze del taglio di troncatura che in quelle del bordo.

f) Operare con particolare attenzione in caso di «tagli dal centro» da eseguire in pareti già esistenti oppure in altre parti non visibili. Il disco abrasivo da taglio diritto che inizia il taglio sul materiale può provocare un contraccollo se dovesse arrivare a troncature condutture del gas o dell'acqua, linee elettriche oppure oggetti di altro tipo.

Avvertenze di pericolo specifiche per lavori di levigatura con carta vetro

a) Non utilizzare mai fogli abrasivi troppo grandi ma attenersi alle indicazioni del rispettivo produttore relative alle dimensioni dei fogli abrasivi. Fogli abrasivi che dovessero sporgere oltre il platorello possono provocare incidenti oppure blocchi, strappi dei fogli abrasivi oppure contraccolpi.

Avvertenze di pericolo specifiche per lavori con spazzole metalliche

a) Tenere presente che la spazzola metallica perde pezzi di fili di ferro anche durante il comune impiego. Non sottoporre i fili metallici a carico troppo elevato esercitando una pressione troppo alta. Pezzi di fili di ferro espulsi in aria possono penetrare molto facilmente attraverso indumenti sottili e/o la pelle.

b) Impiegando una cuffia di protezione si impedisce che la cuffia di protezione e la spazzola metallica possano toccarsi. I diametri delle spazzole a disco e delle spazzola a tazza possono essere aumentati attraverso forze di pressione e tramite l'azione di forze centrifugali.

Gli apparecchi mobili usati all'aperto devono essere collegati interponendo un interruttore di sicurezza (FI, RCD, PRCD) per guasti di corrente.

Non rimuovere trucioli o schegge mentre l'utensile è in funzione.

Inserire la spina solo con interruttore su posizione "OFF".

Non entrare nel raggio d'azione dell'utensile mentre è in funzione.

Utilizzare sempre l'impugnatura laterale.

Per sgrossare e tagliare utilizzare sempre la calotta di protezione.

Disinserire immediatamente la macchina in caso che si verificano delle forti oscillazioni oppure se si riscontrano altri difetti. Controllare la macchina per cercare di identificarne le cause.

Utilizzare e conservare le mole abrasive conformemente alle indicazioni della casa costruttrice.

Smerigliando metalli si producono scintille. Attenzione a non mettere in pericolo l'incolumità di persone. Per via del pericolo di incendio, nessun tipo di materiale infiammabile può trovarsi nelle vicinanze (potenziale raggio delle scintille). Non utilizzare aspirapolveri.

Tenere sempre l'utensile in modo tale che le scintille e polveri di molatura volino lontano dal corpo.

La slitta di guida è prescritta per la taglio della pietra.

Il dado flangiato deve essere serrato prima dell'utilizzo della macchina.

Il pezzo in lavorazione deve essere ben bloccato in posizione a meno che non resti stabile per via del proprio peso. Mai applicare a mano sulla mola il pezzo in lavorazione.

In condizioni di utilizzo estreme (ad es. nella rettifica liscia di metalli sul il piatto di appoggio e dischi smerigliatori in fibra vulcanizzata) si può accumulare molta sporcizia all'interno della smerigliatrice angolare. Con simili condizioni di utilizzo, per motivi di sicurezza, è necessaria una pulizia a fondo all'interno per eliminare i depositi di metallo ed è assolutamente indispensabile inserire un interruttore di sicurezza per corrente di guasto a monte. Quando scatta l'interruttore di sicurezza la macchina va spedita alla riparazione.

Per gli utensili previsti per il montaggio con mola con foro filettato, verificare che la filettatura della mola sia sufficientemente lunga da consentire l'inserimento del mandrino.

Per i lavori di separazione utilizzare la cappa di protezione chiusa dal programma accessori.

UTILIZZO CONFORME

La smerigliatrice angolare può essere utilizzata per l'asportazione e la rettifica di grossatura di molti materiali, ad es. metallo o pietra, nonché per la rettifica con dischi smerigliatori di plastica e per lavorare con la spazzola di acciaio. In caso di dubbi vanno rispettate le indicazioni dei produttori degli accessori.

Utilizzare il prodotto solo per l'uso per cui è previsto.

DICHIARAZIONE DI CONFORMITÀ CE

Dichiariamo, assumendo la piena responsabilità di tale dichiarazione, che il prodotto è conforme alla seguenti normative e ai relativi documenti:
EN 60745-1:2009+A11:2010
EN 60745-2-3:2011
EN 55014-1:2006+A1:2009+A2:2011
EN 55014-2:1997+A1:2001+A2:2008
EN 61000-3-2:2006+A1:2009+A2:2009
EN 61000-3-3:2008

in base alle prescrizioni delle direttive
2011/65/EU (RoHS)
2006/42/CE
2004/108/CE



Winnenden, 2012-09-09

Rainer Kumpf
Director Product Development

Autorizzato alla preparazione della documentazione tecnica

COLLEGAMENTO ALLA RETE

Connettere solo corrente alternata mono fase e solo al sistema di voltaggio indicato sulla piastra. È possibile anche connettere la presa senza un contatto di messa a terra così come prevede lo schema conforme alla norme di sicurezza di classe II.

ELETRONICA

L'elettronica mantiene costante la velocità all'aumentare del carico.

In caso di sovraccarico viene ridotto l'assorbimento di corrente fino alla diminuzione del carico.

MANUTENZIONE

Tener sempre ben pulite le fessure di ventilazione dell'apparecchio.

Non lasciare che nessuna parte metallica venga a contatto con l'apertura dell'areazione - pericolo di corto circuito

Utilizzare esclusivamente accessori e pezzi di ricambio Milwaukee.

L'installazione di pezzi di ricambio non specificamente prescritti dall'Milwaukee va preferibilmente effettuata dal servizio di assistenza clienti Milwaukee (ved. opuscolo Garanzia/Indirizzi Assistenza tecnica).

In caso di mancanza del disegno esplosivo, può essere richiesto al seguente indirizzo: Milwaukee Electric Tool, Max-Eyth-Straße 10, D-71364 Winnenden, Germany

SIMBOLI



Leggere attentamente le istruzioni per l'uso prima di mettere in funzione l'elettrotensile.



Durante l'uso dell'apparecchio utilizzare sempre gli occhiali di protezione.



Prima di effettuare qualsiasi lavoro sulla macchina togliere la spina dalla presa di corrente.



Accessorio - Non incluso nella dotazione standard, disponibile a parte come accessorio.



Non gettare le apparecchiature elettriche tra i rifiuti domestici. Secondo la Direttiva Europea 2002/96/CE sui rifiuti di apparecchiature elettriche ed elettroniche e la sua attuazione in conformità alle norme nazionali, le apparecchiature elettriche esauste devono essere accolte separatamente, al fine di essere reimpiegate in modo eco-compatibile.



Classe di protezione II, utensile elettrico sul quale la protezione contro la folgorazione elettrica non dipende soltanto dall'isolamento di base e sul quale trovano applicazione ulteriori misure di protezione, come il doppio isolamento o l'isolamento maggiorato.

DATOS TÉCNICOS	Amoladora Angular	AGV17-125XE	AGV17-125XE DMS
Potencia de salida nominal.....	1750 W	1750 W	
Potencia entregada	1150 W	1150 W	
Máx. velocidad en vacío	2600-11000 min ⁻¹	2600-11000 min ⁻¹	
Diám. disco de amolado	125 mm	125 mm	
Rosca de eje de trabajo.....	M 14	M 14	
Peso de acuerdo con el procedimiento EPTA 01/2003	2,8 kg	2,8 kg	

Información sobre ruidos / vibraciones

Determinación de los valores de medición según norma EN 60745.

El nivel de ruido típico del aparato determinado con un filtro A corresponde a:

Presión acústica (K = 3 dB(A))	90 dB(A)	90 dB(A)
Resonancia acústica (K = 3 dB(A)).....	101 dB(A)	101 dB(A)

Usar protectores auditivos!

Nivel total de vibraciones (suma vectorial de tres direcciones) determinado según EN 60745.

Tronzado y rectificad de desbaste: valor emisiones de vibración a _h	9 m/s ²	9 m/s ²
Tolerancia K =	1,5 m/s ²	1,5 m/s ²
Rectificar con plato de rectificad de plástico: valor emisiones de vibración a _h	3,65 m/s ²	3,65 m/s ²
Tolerancia K =	1,5 m/s ²	1,5 m/s ²

En el caso de otras aplicaciones, como p. ej. el tronzamiento con la muela o el esmerilado con cepillo de alambre de acero pueden resultar otros valores de vibración.

ADVERTENCIA

El nivel vibratorio indicado en estas instrucciones ha sido medido conforme a un método de medición estandarizado en la norma EN 60745, y puede utilizarse para la comparación entre herramientas eléctricas. También es apropiado para una estimación provisional de la carga de vibración.

El nivel vibratorio indicado representa las aplicaciones principales de la herramienta eléctrica. Si, pese a ello, se utiliza la herramienta eléctrica para otras aplicaciones, con útiles adaptables diferentes o con un mantenimiento insuficiente, el nivel vibratorio puede diferir. Esto puede incrementar sensiblemente la carga de vibración durante todo el periodo de trabajo.

Para una estimación exacta de la carga de vibración deberían tenerse en cuenta también los tiempos durante los que el aparato está apagado o, pese a estar en funcionamiento, no está siendo realmente utilizado. Esto puede reducir sustancialmente la carga de vibración durante todo el periodo de trabajo.

Adopte medidas de seguridad adicionales para la protección del operador frente al efecto de las vibraciones, como por ejemplo: mantenimiento de la herramienta eléctrica y de los útiles adaptables, mantener las manos calientes, organización de los procesos de trabajo.

⚠ ADVERTENCIA! Rogamos leer las indicaciones de seguridad y las instrucciones, también las que contiene el folleto adjunto. En caso de no atenderse a las advertencias de peligro e instrucciones siguientes, ello puede ocasionar una descarga eléctrica, un incendio y/o lesión grave. **Guardar todas las advertencias de peligro e instrucciones para futuras consultas.**

INSTRUCCIONES DE SEGURIDAD

Advertencias de peligro generales al realizar trabajos de amolado, lijado, con cepillos de alambre y tronzado:

a) Esta herramienta eléctrica ha sido concebida para amolar, lijar, trabajar con cepillos de alambre y tronzar. Observe todas las advertencias de peligro, instrucciones, ilustraciones y especificaciones técnicas que se suministran con la herramienta eléctrica. En caso de no atenderse a las instrucciones siguientes, ello puede provocar una electrocución, incendio y/o lesiones serias.

b) Esta herramienta eléctrica no es adecuada para pulir. El uso de la herramienta para un fin no previsto puede conllevar riesgos y causar heridas.

c) No emplee accesorios diferentes de aquellos que el fabricante haya previsto o recomendado especialmente para esta herramienta eléctrica. El mero hecho de que sea acoplable un accesorio a su herramienta eléctrica no implica que su utilización resulte segura.

d) Las revoluciones admisibles del útil deberán ser como mínimo iguales a las revoluciones máximas indicadas en la herramienta eléctrica. Aquellos accesorios que giren a unas revoluciones mayores a las admisibles pueden llegar a romperse y salir despedidos.

e) El diámetro exterior y el grosor del útil deberán corresponder con las medidas indicadas para su herramienta eléctrica. Los útiles de dimensiones incorrectas no pueden protegerse ni controlarse con suficiente seguridad.

f) Los orificios de los discos amoladores, bridas, platos lijadores u otros útiles deberán alojar exactamente sobre el husillo de su herramienta eléctrica. Los útiles que no ajusten

correctamente sobre el husillo de la herramienta eléctrica, al girar descentrados, generan unas vibraciones excesivas y pueden hacerle perder el control sobre el aparato.

g) No use útiles dañados. Antes de cada uso inspeccione el estado de los útiles con el fin de detectar, p. ej., si están desportillados o fisurados los útiles de amolar, si está agrietado o muy desgastado el plato lijador, o si las púas de los cepillos de alambre están flojas o rotas. Si se le cae la herramienta eléctrica o el útil, inspeccione si han sufrido algún daño o monte otro útil en correctas condiciones. Una vez controlado y montado el útil sitúese Vd. y las personas circundantes fuera del plano de rotación del útil y deje funcionar la herramienta eléctrica en vacío, a las revoluciones máximas, durante un minuto. Por lo regular, aquellos útiles que estén dañados suelen romperse al realizar esta comprobación.

h) Utilice un equipo de protección personal. Dependiendo del trabajo a realizar use una careta, una protección para los ojos, o unas gafas de protección. Si procede, emplee una mascarilla antipolvo, protectores auditivos, guantes de protección o un mandil especial adecuado para protegerle de los pequeños fragmentos que pudieran salir proyectados al desprenderse del útil o pieza. Las gafas de protección deberán ser indicadas para protegerle de los fragmentos que pudieran salir despedidos al trabajar. La mascarilla antipolvo o respiratoria deberá ser apta para filtrar las partículas producidas al trabajar. La exposición prolongada al ruido puede provocar sordera.

i) Cuide que las personas en las inmediaciones se mantengan a suficiente distancia de la zona de trabajo. Toda persona que acceda a la zona de trabajo deberá utilizar un equipo de protección personal. Podrían ser lesionadas, incluso fuera del área de trabajo inmediato, al salir proyectados fragmentos de la pieza de trabajo o del útil.

j) Únicamente sujete el aparato por las empuñaduras aisladas al realizar trabajos en los que el útil pueda tocar conductores eléctricos ocultos o el propio cable del aparato. El contacto con conductores portadores de tensión puede hacer que las partes metálicas del aparato le provoquen una descarga eléctrica.

k) Mantenga el cable de red alejado del útil en funcionamiento. En caso de que Vd. pierda el control sobre la herramienta eléctrica puede llegar a cortarse o enredarse el cable de red con el útil y lesionarle su mano o brazo.

l) Jamás deposite la herramienta eléctrica antes de que el útil se haya detenido por completo. El útil en funcionamiento puede llegar a tocar la base de apoyo y hacerle perder el control sobre la herramienta eléctrica.

m) No deje funcionar la herramienta eléctrica mientras la transporta. El útil en funcionamiento podría lesionarle al engancharse accidentalmente con su vestimenta.

n) Limpie periódicamente las rejillas de refrigeración de su herramienta eléctrica. El ventilador del motor aspira polvo hacia el interior de la carcasa, por lo que, en caso de una acumulación fuerte de polvo metálico, ello puede provocarle una descarga eléctrica.

o) No utilice la herramienta eléctrica cerca de materiales combustibles. Las chispas producidas al trabajar pueden llegar a incendiar estos materiales.

p) No emplee útiles que requieran ser refrigerados con líquidos. La aplicación de agua u otros refrigerantes líquidos puede comportar una descarga eléctrica.

Causas del rechazo y advertencias al respecto

El rechazo es una reacción brusca que se produce al atascarse o engancharse el útil, como un disco de amolar, plato lijador, cepillo, etc. Al atascarse o engancharse el útil en funcionamiento, éste es frenado bruscamente. Ello puede hacerle perder el control sobre la herramienta eléctrica y hacer que ésta salga impulsada en dirección opuesta al sentido de giro que tenía el útil.

En el caso, p. ej., de que un disco amolador se atasque o bloquee en la pieza de trabajo, puede suceder que el canto del útil que penetra en el material se enganche, provocando la rotura del útil o el rechazo del aparato. Según el sentido de giro y la posición del útil en el momento de bloquearse puede que éste resulte despedido hacia, o en sentido opuesto al usuario. En estos casos puede suceder que el útil incluso llegue a romperse.

El rechazo es ocasionado por la aplicación o manejo incorrecto de la herramienta eléctrica. Es posible evitarlo ateniéndose a las medidas preventivas que a continuación se detallan.

a) Sujete con firmeza la herramienta eléctrica y mantenga su cuerpo y brazos en una posición propicia para resistir las fuerzas de reacción. Si forma parte del aparato, utilice siempre la empuñadura adicional para poder soportar mejor las fuerzas del rechazo, además de los pares de reacción que se presentan en la puesta en marcha. El usuario puede controlar las fuerzas del rechazo y de reacción si toma unas medidas preventivas oportunas.

b) Jamás aproxime su mano al útil en funcionamiento. En caso de un rechazo, el útil podría lesionarle la mano.

c) No se sitúe dentro del área hacia el que se movería la herramienta eléctrica al ser rechazada. Al resultar rechazada, la herramienta eléctrica saldrá despedida desde el punto de bloqueo en dirección opuesta al sentido de giro del útil.

d) Tenga especial precaución al trabajar esquinas, cantos afilados, etc. Evite que el útil de amolar rebote contra la pieza de trabajo o que se atasque. En las esquinas, cantos afilados, o al rebotar, el útil en funcionamiento tiende a atascarse. Ello puede hacerle perder el control o causar un rechazo del útil.

e) No utilice hojas de sierra para madera ni otros útiles dentados. Estos útiles son propensos al rechazo y pueden hacerle perder el control sobre la herramienta eléctrica.

Instrucciones de seguridad específicas para operaciones de amolado y tronzado

a) Use exclusivamente útiles homologados para su herramienta eléctrica, en combinación con la caperuza protectora prevista para estos útiles. Los útiles que no fueron diseñados para su uso en esta herramienta eléctrica pueden quedar insuficientemente protegidos y suponen un riesgo.

b) Siempre emplee la caperuza protectora prevista para el útil que va a usar. La caperuza protectora deberá montarse firmemente en la herramienta eléctrica cuidando que quede orientada de manera que ofrezca una seguridad máxima, o sea, cubriendo al máximo la parte del útil a la que queda expuesta el usuario. La misión de la caperuza protectora es

proteger al usuario de los fragmentos que puedan desprenderse del útil y del contacto accidental con éste.

c) Solamente emplee el útil para aquellos trabajos para los que fue concebido. Por ejemplo, no emplee las caras de los discos tronzadores para amolar. En los útiles de tronzar, el arranque de material se lleva a cabo con los bordes del disco. Si estos útiles son sometidos a un esfuerzo lateral, ello puede provocar su rotura.

d) Siempre use para el útil seleccionado una brida en perfecto estado con las dimensiones y forma correctas. Una brida adecuada soporta convenientemente el útil reduciendo así el peligro de rotura. Las bridas para discos tronzadores pueden ser diferentes de aquellas para otros discos de amolar.

e) No intente aprovechar los discos amoladores de otras herramientas eléctricas más grandes, aunque su diámetro exterior se haya reducido suficientemente por el desgaste. Los discos amoladores destinados para herramientas eléctricas grandes no son aptos para soportar las velocidades periféricas más altas a las que trabajan las herramientas eléctricas más pequeñas, y pueden llegar a romperse.

Instrucciones de seguridad adicionales específicas para el tronzado

a) Evite que se bloquee el disco tronzador y una presión de aplicación excesiva. No intente realizar cortes demasiado profundos. Al solicitar en exceso el disco tronzador éste es más propenso a ladearse, bloquearse, a ser rechazado, o a romperse.

b) No se coloque delante o detrás del disco tronzador en funcionamiento, alineado con la trayectoria del corte. Mientras que al cortar, el disco tronzador es guiado en sentido opuesto a su cuerpo, en caso de un rechazo el disco tronzador y la herramienta eléctrica son impulsados directamente contra Vd.

c) Si el disco tronzador se bloquea, o si tuviese que interrumpir su trabajo, desconecte la herramienta eléctrica y manténgala en esa posición, sin moverla, hasta que el disco tronzador se haya detenido por completo. Jamás intente sacar el disco tronzador en marcha de la ranura de corte, ya que ello podría provocar un rechazo. Investigue y subsane la causa del bloqueo.

d) No intente proseguir el corte, estando insertado el disco tronzador en la ranura de corte. Una vez fuera de la ranura de corte, espere a que el disco tronzador haya alcanzado las revoluciones máximas, y prosiga entonces el corte con cautela. En caso contrario el disco tronzador podría bloquearse, salirse de la ranura de corte, o resultar rechazado.

e) Soporte las planchas u otras piezas de trabajo grandes para reducir el riesgo de bloqueo o rechazo del disco tronzador. Las piezas de trabajo grandes tienden a curvarse por su propio peso. La pieza de trabajo deberá apoyarse desde abajo a ambos lados tanto cerca de la línea de corte como en los bordes.

f) Proceda con especial cautela al realizar recortes “por inmersión” en paredes o superficies similares. El disco tronzador puede ser rechazado al tocar tuberías de gas o agua, conductores eléctricos, u otros objetos.

Instrucciones de seguridad específicas para trabajos con hojas lijadoras

a) No use hojas lijadoras más grandes que el soporte, ateniéndose para ello a las dimensiones que el fabricante recomienda. Las hojas lijadoras de un diámetro mayor que el plato lijador pueden provocar un accidente, fisurarse, o provocar un rechazo.

Instrucciones de seguridad específicas para el trabajo con cepillos de alambre

a) Considere que las púas de los cepillos de alambre pueden desprenderse también durante un uso normal. No fuerce las púas ejerciendo una fuerza de aplicación excesiva. Las púas desprendidas pueden traspasar muy fácilmente tela delgada y/o la piel.

b) En caso de recomendarse el uso de una caperuza protectora, evite que el cepillo de alambre alcance a rozar contra la caperuza protectora. Los cepillos de plato y de vaso pueden aumentar su diámetro por efecto de la presión de aplicación y de la fuerza centrífuga.

Conecte siempre la máquina a una red protegida por interruptor diferencial y magnetotérmico (FI, RCD, PRCD), para su seguridad personal, según normas establecidas para instalaciones eléctricas de baja tensión.

Nunca se debe intentar limpiar el polvo o viruta procedente del taladrado con la máquina en funcionamiento.

Enchufar la máquina a la red solamente en posición desconectada.

No manipular en el rodillo ni en las cuchillas con la máquina conectada.

Emplear siempre el asidero adicional.

Utilice siempre la cubierta de protección en trabajos de amolado en bruto y corte.

Desconectar inmediatamente el aparato al presentarse vibraciones fuertes u otras anomalías. Examine la máquina para determinar las posibles causas.

Utilice y guarde siempre los discos de amolar según las indicaciones del fabricante.

Al amolar metales se proyectan chispas. Cuidar de no poner en peligro a personas. Debido al peligro de incendio no deben encontrarse cerca (en el área de alcance de las chispas) materiales inflamables. No utilice extracción de polvo en este caso.

Tenga cuidado para que no le salten chispas ni virutas de la pieza de trabajo.

¡Cuando corte piedra deberá usar el patín de guía!

La tuerca de apriete se debe asegurar antes de comenzar a trabajar con la máquina.

La pieza de trabajo debe fijarse adecuadamente, a no ser que se mantenga bien fija por su propio peso. Jamás aproxime una pieza al disco, sujetándola con la mano.

En caso de condiciones de funcionamiento extremas (p. ej. pulido de metales con el plato soporte y discos abrasivos de fibra vulcanizada) se puede acumular mucha suciedad en el interior de la amoladora angular. En estas condiciones es necesario realizar, por motivos de seguridad, una limpieza profunda de las acumulaciones metálicas en el interior y debe conectarse obligatoriamente un interruptor de protección de corriente diferencial (FI). Si salta el interruptor de protección FI debe enviarse la máquina para su reparación.

En las herramientas que llevan una muela con agujero roscado, cerciórese de que la rosca en la muela es lo suficientemente larga para aceptar la longitud del vástago.

Para trabajos de tronzado, utilizar la cubierta protectora cerrada del programa de accesorios.

APLICACIÓN DE ACUERDO A LA FINALIDAD

La amoladora puede utilizarse para separar y desbastar muchos materiales, como p. ej. metal y piedra, así como para rectificar con el plato de rectificado de plástico y para trabajar con el cepillo de alambre de acero. En caso de dudas, observar las indicaciones de los fabricantes de los accesorios.

No utilice este producto para ninguna otra aplicación que no sea su uso normal.

DECLARACION DE CONFORMIDAD CE

Declaramos bajo nuestra sola responsabilidad que este producto está en conformidad con las normas o documentos normalizados siguientes.

EN 60745-1:2009+A11:2010
EN 60745-2-3:2011
EN 55014-1:2006+A1:2009+A2:2011
EN 55014-2:1997+A1:2001+A2:2008
EN 61000-3-2:2006+A1:2009+A2:2009
EN 61000-3-3:2008
de acuerdo con las regulaciones
2011/65/EU (RoHS)
2006/42/CE
2004/108/CE



Winnenden, 2012-09-09

Rainer Kumpf
Director Product Development

Autorizado para la redacción de los documentos técnicos.

CONEXIÓN ELÉCTRICA

Conectar solamente a corriente AC monofásica y sólo al voltaje indicado en la placa de características. También es posible la conexión a enchufes sin toma a tierra, dado que es conforme a la Clase de Seguridad II.

ELECTRÓNICA

El conjunto electrónico mantiene constante las revoluciones al aumentar la carga.

Por un efecto de sobrecarga se interrumpe el suministro de energía.

MANTENIMIENTO

Las ranuras de ventilación de la máquina deben estar despejadas en todo momento.

Evite que cualquier pieza metálica alcance las ranuras de ventilación - ¡peligro de cortocircuito!

Solo se deben utilizar accesorios y piezas de repuestos Milwaukee. Piezas cuyo recambio no está descrito en las instrucciones de uso, deben sustituirse en un centro de asistencia técnica Milwaukee (Consulte el folleto Garantía/Direcciones de Centros de Asistencia Técnica).

En caso necesario, puede solicitar un despiece de la herramienta. Por favor indique el número de impreso de diez dígitos que hay en la etiqueta y pida el despiece a la siguiente dirección: Milwaukee Electric Tool, Max-Eyth-Straße 10, D-71364 Winnenden, Germany

SÍMBOLOS



Lea las instrucciones detenidamente antes de conectar la herramienta



Para trabajar con la máquina, utilizar siempre gafas de protección.



Desconecte siempre el enchufe antes de llevar a cabo cualquier trabajo en la máquina.



Accesorio - No incluido en el equipo estándar, disponible en la gama de accesorios.



¡No deseche los aparatos eléctricos junto con los residuos domésticos! De conformidad con la Directiva Europea 2002/96/CE sobre residuos de aparatos eléctricos y electrónicos y su aplicación de acuerdo con la legislación nacional, las herramientas eléctricas cuya vida útil haya llegado a su fin se deberán recoger por separado y trasladar a una planta de reciclaje que cumpla con las exigencias ecológicas.



Clase de protección II, herramientas eléctricas, en las cuales la protección contra descargas eléctricas no sólo depende del aislamiento básico, sino en las cuales se adoptan medidas de protección adicionales como un doble aislamiento o un aislamiento reforzado.

CARACTERÍSTICAS TÉCNICAS

Rebarbadora Angular

AGV17-125XE

AGV17-125XE DMS

Potência absorvida nominal.....	1750 W.....	1750 W
Potência de saída.....	1150 W.....	1150 W
Máx. velocidade em vazio.....	2600-11000 min ⁻¹	2600-11000 min ⁻¹
Diâmetro do disco.....	125 mm.....	125 mm
Rosca do veio de trabalho.....	M 14.....	M 14
Peso nos termos do procedimento-EPTA 01/2003.....	2,8 kg.....	2,8 kg

Informações sobre ruído/vibração

Valores de medida de acordo com EN 60 745.

O nível de ruído avaliado A do aparelho é tipicamente:

Nível da pressão de ruído (K=3 dB(A)).....	90 dB(A).....	90 dB(A)
Nível da potência de ruído (K=3 dB(A)).....	101 dB(A).....	101 dB(A)

Use protectores auriculares!

Valores totais de vibração (soma dos vectores das três direções) determinadas conforme EN 60745.

Rectificação de corte e desbaste: Valor de emissão da vibração a_w.....

Incerteza K = 9 m/s²..... 9 m/s²

Desbaste com disco de desbaste em plástico: Valor de emissão da vibração a_w.....

Incerteza K = 1,5 m/s²..... 1,5 m/s²

Em caso de outras aplicações, como p.ex. separar por rectificação ou lixar com escova de arame, podem resultar outros valores de vibração!

ATENÇÃO

O nível vibratório indicado nestas instruções foi medido em conformidade com um procedimento de medição normalizado na EN 60745 e pode ser utilizado para comparar entre si ferramentas eléctricas. O mesmo é também adequado para avaliar provisoriamente o esforço vibratório.

O nível vibratório indicado representa as principais aplicações da ferramenta eléctrica. Se, no entanto, a ferramenta eléctrica for utilizada para outras aplicações, com outras ferramentas adaptadas ou uma manutenção insuficiente, o nível vibratório poderá divergir. Isto pode aumentar consideravelmente o esforço vibratório ao longo de todo o período do trabalho.

Para uma avaliação exacta do esforço vibratório devem também ser considerados os tempos durante os quais o aparelho está desligado ou está a funcionar, mas não está efectivamente a ser utilizado. Isto pode reduzir consideravelmente o esforço vibratório ao longo de todo o período do trabalho.

Defina medidas de segurança suplementares para proteger o operador do efeito das vibrações, como por exemplo: manutenção da ferramenta eléctrica e das ferramentas adaptadas, manter as mãos quentes, organização das seqüências de trabalho.

ATENÇÃO! Leia todas as instruções de segurança e todas as instruções, também aquelas que constam na brochura juntada. O desrespeito das advertências e instruções apresentadas abaixo pode causar choque eléctrico, incêndio e/ou graves lesões.
Guarde bem todas as advertências e instruções para futura referência.

INSTRUÇÕES DE SEGURANÇA

Indicações de aviso gerais para lixar, lixar com lixa de papel, trabalhar com escovas de arame e separar por rectificação:

a) Esta ferramenta eléctrica pode ser utilizada como lixadeira, lixadeira com lixa de papel e máquina para separar por rectificação. Observar todas as indicações de aviso, instruções, apresentações e dados fornecidos com a ferramenta eléctrica. O desrespeito das seguintes instruções pode levar a um choque eléctrico, incêndio e/ou graves lesões.

b) Esta ferramenta eléctrica não é adequada para polir. Utilizações, para as quais a máquina não tenha sido prevista, podem causar perigos e ferimentos.

c) Não utilizar acessórios, que não foram especialmente previstos e recomendados pelo fabricante para serem utilizados com esta ferramenta eléctrica. O facto de poder fixar o acessório a esta ferramenta eléctrica, não garante uma aplicação segura.

d) O número de rotação admissível da ferramenta de trabalho deve ser no mínimo tão alto quanto o máximo número de rotação indicado na ferramenta eléctrica. Acessórios que girem mais rápido do que permitido, podem quebrar e serem atirados para longe.

e) O diâmetro exterior e a espessura da ferramenta de trabalho devem corresponder às indicações de medida da sua ferramenta eléctrica. Ferramentas de trabalho incorrectamente medidas podem não ser suficientemente blindadas nem controladas.

f) Discos abrasivos, flanges, pratos abrasivos ou outros acessórios devem caber exactamente no veio de rectificação da sua ferramenta eléctrica. Ferramentas de trabalho, que não

cabem exactamente no veio de rectificação da ferramenta eléctrica, giram irregularmente, vibram fortemente e podem levar à perda de controlo.

g) Não utilizar ferramentas de trabalho danificadas. Antes de cada utilização deverá controlar as ferramentas de trabalho, e verificar se por exemplo os discos abrasivos apresentam fissuras e estilhaços, se pratos abrasivos apresentam fissuras, se há desgaste ou forte atrição, se as escovas de arame apresentam arames soltos ou quebrados. Se a ferramenta eléctrica ou a ferramenta de trabalho caírem, deverá verificar se sofreram danos, ou trocar por uma ferramenta de trabalho intacta. Após ter controlado e introduzido a ferramenta de trabalho, deverá manter-se, e as pessoas que se encontrem nas proximidades, fora do nível de rotação da ferramenta de trabalho e permitir que a ferramenta eléctrica funcione durante um minuto com o máximo número de rotação. A maioria das ferramentas de trabalho danificadas quebram durante este período de teste.

h) Utilizar um equipamento de protecção pessoal. De acordo com a aplicação, deverá utilizar uma protecção para todo o rosto, protecção para os olhos ou um óculos protector. Se for necessário, deverá utilizar uma máscara contra pó, protecção auricular, luvas de protecção ou um avental especial, para proteger-se de pequenas partículas de amoladura e de material. Os olhos devem ser protegidos contra partículas a voar, produzidas durante as diversas aplicações. A máscara contra pó ou a máscara de respiração deve ser capaz de filtrar o pó produzido durante a respectiva aplicação. Se for sujeito durante longo tempo a fortes ruídos, poderá sofrer a perda da capacidade auditiva.

i) Observe que as outras pessoas mantenham uma distância segura em relação ao seu local de trabalho. Cada pessoa que entrar na área de trabalho, deverá usar um equipamento de protecção pessoal. Estilhaços da peça a ser trabalhada ou ferramentas de trabalho quebradas podem voar e causar lesões fora da área imediata de trabalho.

j) Ao executar trabalhos durante os quais possam ser atingidos cabos eléctricos ou o próprio cabo de rede, deverá sempre segurar a ferramenta eléctrica pelas superfícies

isoladas do punho. O contacto com um cabo sob tensão pode colocar peças de metal da ferramenta eléctrica sob tensão e levar a um choque eléctrico.

k) Manter o cabo de rede afastado de ferramentas de trabalho em rotação. Se perder o controlo sobre a ferramenta eléctrica, é possível que o cabo de rede seja cortado ou enganchado e a sua mão ou braço sejam puxados contra a ferramenta de trabalho em rotação.

l) Jamais depositar a ferramenta eléctrica, antes que a ferramenta de trabalho esteja completamente parada. A ferramenta de trabalho em rotação pode entrar em contacto com a superfície de apoio, provocando uma perda de controlo da ferramenta eléctrica.

m) Não permitir que a ferramenta eléctrica funcione enquanto estiver a transportá-la. A sua roupa pode ser agarrada devido a um contacto accidental com a ferramenta de trabalho em rotação, de modo que a ferramenta de trabalho possa ferir o seu corpo.

n) Limpar regularmente as aberturas de ventilação da sua ferramenta eléctrica. A ventoinha do motor puxa pó para dentro da carcaça, e uma grande quantidade de pó de metal pode causar perigos eléctricos.

o) Não utilizar a ferramenta eléctrica perto de materiais inflamáveis. Faíscas podem incendiar estes materiais.

p) Não utilizar ferramentas de trabalho que necessitem agentes de refrigeração líquidos. A utilização de água ou de outros agentes de refrigeração líquidos pode provocar um choque eléctrico.

Contra-golpe e respectivas advertências

Contra-golpe é uma repentina reacção devido a uma ferramenta de trabalho travada ou bloqueada, como por exemplo um disco abrasivo, um prato abrasivo, uma escova de arame etc. Um travamento ou um bloqueio levam a uma parada abrupta da ferramenta de trabalho em rotação. Desta maneira, uma ferramenta eléctrica descontrolada pode ser acelerada no local de bloqueio, sendo forçada no sentido contrário da rotação da ferramenta de trabalho.

Se por exemplo um disco abrasivo travar ou bloquear numa peça a ser trabalhada, o canto do disco abrasivo pode mergulhar na peça a ser trabalhada e encravar-se, quebrando o disco abrasivo ou causando um contra-golpe. O disco abrasivo se movimenta então no sentido do operador ou para longe deste, dependendo do sentido de rotação do disco no local do bloqueio. Sob estas condições os discos abrasivos também podem partir-se.

Um contra-golpe é a consequência de uma utilização incorrecta ou indevida da ferramenta eléctrica. Ele pode ser evitado por apropriadas medidas de precaução como descrito a seguir.

a) Segurar firmemente a ferramenta eléctrica e posicionar o seu corpo e os braços de modo que possa resistir às forças de um contra-golpe. Sempre utilizar o punho adicional, se existente, para assegurar o máximo controlo possível sobre as forças de um contra-golpe ou sobre momentos de reacção durante o arranque. O operador pode controlar as forças de contra-golpe e as forças de reacção através de medidas de precaução apropriadas.

b) Jamais permita que as suas mãos se encontrem perto de ferramentas de trabalho em rotação. No caso de um contra-golpe a ferramenta de trabalho poderá passar pela sua mão.

c) Evite que o seu corpo se encontre na área, na qual a ferramenta eléctrica possa ser movimentada no caso de um contra-golpe. O contra-golpe força a ferramenta eléctrica no sentido contrário ao movimento do disco abrasivo no local do bloqueio.

d) Trabalhar com especial cuidado na área ao redor de esquinas, cantos afiados etc. Evite que ferramentas de trabalho sejam ricocheteadas e travadas pela peça a ser trabalhada. A ferramenta de trabalho em rotação tende a travar em esquinas, em cantos afiados ou se for ricocheteada. Isto causa uma perda de controlo ou um contra-golpe.

e) Não utilizar lâminas de serra de correias nem dentadas. Estas ferramentas de trabalho causam frequentemente um contra-golpe ou a perda de controlo sobre a ferramenta eléctrica.

Instruções especiais de segurança específicas para lixar e separar por rectificação

a) Utilizar exclusivamente os corpos abrasivos homologados para a sua ferramenta eléctrica e a capa de protecção prevista

para estes corpos abrasivos. Corpos abrasivos não previstos para a ferramenta eléctrica, não podem ser suficientemente protegidos e portanto não são seguros.

b) Sempre utilizar a capa de protecção, prevista para o tipo de corpo abrasivo utilizado. A capa de protecção deve ser firmemente aplicada na ferramenta eléctrica e fixa, de modo que seja alcançado um máximo de segurança, ou seja, que apenas uma mínima parte do corpo abrasivo aponte abertamente na direcção do operador. A capa de protecção deve proteger o operador contra estilhaços e contra um contacto accidental com o corpo abrasivo.

c) Os corpos abrasivos só devem ser utilizados para as aplicações recomendadas. P. ex.: Jamais lixar com a superfície lateral de um disco de corte. Disco de corte são destinados para o desbaste de material com o canto do disco. Uma força lateral sobre estes corpos abrasivos pode quebrá-los.

d) Sempre utilizar flanges de aperto intactos de tamanho e forma correctos para o disco abrasivo seleccionado. Flanges apropriados apoiam o disco abrasivo e reduzem assim o perigo de uma ruptura do disco abrasivo. Flanges para discos de corte podem diferenciar-se de flanges para outros discos abrasivos.

e) Não utilizar discos abrasivos gastos de outras ferramentas eléctricas maiores. Discos abrasivos para ferramentas eléctricas maiores não são apropriados para os números de rotação mais altos de ferramentas eléctricas menores e podem quebrar.

Outras advertências especiais de segurança para separar por rectificação

a) Evitar um bloqueio do disco de corte ou uma força de pressão demasiado alta. Não efectuar cortes extremamente profundos. Uma sobrecarga do disco de corte aumenta o desgaste e a predisposição para emperrar e bloquear e portanto a possibilidade de um contra-golpe ou uma ruptura do corpo abrasivo.

b) Evitar a área que se encontra na frente ou atrás do disco de corte em rotação. Se o disco de corte for conduzido na peça a ser trabalhada, para frente, afastando-se do corpo, é possível que no caso de um contra-golpe a ferramenta eléctrica, junto com o disco em rotação, seja atirada directamente na direcção da pessoa a operar o aparelho.

c) Se o disco de corte emperrar ou se o trabalho for interrompido, deverá desligar a ferramenta eléctrica e mantê-la parada, até o disco parar completamente. Jamais tentar puxar o disco de corte para fora do corte enquanto ainda estiver em rotação, caso contrário poderá ser provocado um contra-golpe. Verificar e eliminar a causa do emperramento.

d) Não ligar novamente a ferramenta eléctrica, enquanto ainda estiver na peça a ser trabalhada. Permita que o disco de corte alcance o seu completo número de rotação, antes de continuar cuidadosamente a cortar. Caso contrário é possível que o disco emperre, pule para fora da peça a ser trabalhada ou cause um contra-golpe.

e) Apoiar placas ou peças grandes, para reduzir um risco de contra-golpe devido a um disco de corte emperrado. Peças grandes podem curvar-se devido ao próprio peso. A peça a ser trabalhada deve ser apoiada de ambos os lados, tanto nas proximidades do corte como também nos cantos.

f) Tenha o cuidado ao efectuar “Cortes de bolso” em paredes existentes ou em outras superfícies, onde não é possível reconhecer o que há por detrás. O disco de corte pode causar um contra-golpe se cortar accidentalmente tubulações de gás ou de água, cabos eléctricos ou outros objectos.

Advertências especiais de segurança específicas para lixar com lixa de papel

a) Não utilizar lixas de papel demasiado grandes, mas sempre seguir as indicações do fabricante sobre o tamanho correcto das lixas de papel. Lixas de papel, que sobressaem dos cantos do prato abrasivo, podem causar lesões, assim como bloquear e rasgar as lixas de papel ou levar a um contra-golpe.

Advertências especiais de segurança específicas para trabalhar com escovas de arame

a) Esteja ciente de que a escova de arame também perde pedaços de arame durante a utilização normal. Não sobrecarregue os arames exercendo uma força de pressão

demasiada. Pedaços de arame a voar, podem penetrar facilmente em roupas finas e/ou na pele.

b) Se for recomendável uma capa de protecção, deverá evitar que a escova de arame entre em contacto com a capa de protecção. O diâmetro das escovas em forma de prato ou de tacho pode aumentar devido à força de pressão e às forças centrífugas.

Aparelhos não estacionários, utilizados ao ar livre, devem ser protegidos por um disjuntor de corrente de defeito (FI, RCD, PRCD). Não remover aparas ou lascas enquanto a máquina trabalha.

Ao ligar à rede, a máquina deve estar desligada.

Não introduza as mãos na área perigosa, estando a máquina em funcionamento.

Utilizar sempre o punho lateral.

Durante o trabalho com discos de desbaste e de corte deve ser utilizada a placa de protecção.

Desligar imediatamente o aparelho, se ocorrerem grandes oscilações ou se forem observadas outras avarias. Controlar a máquina para determinar a causa.

Sempre utilizar e guardar os discos abrasivos, de acordo com as indicações do fabricante.

Ao lixar metais, voam faíscas. Observe que ninguém seja posto em perigo. Devido ao perigo de incêndio não devem encontrar-se materiais inflamáveis nas proximidades (área de voo de faíscas). Não utilize sistema de extracção de poeiras.

Tome atenção que nem as faíscas nem as poeiras da lixagem geradas na peça de trabalho devem entrar em contacto consigo.

Quando estiver a desmontar pedra deve usar a guia.

A porca de ajuste deve ser apertada antes de iniciar o trabalho com a máquina.

A peça a ser trabalhada deve ser fixa, caso não esteja firme devido ao seu peso próprio. Jamais conduzir a peça a ser trabalhada em direcção do disco com as mãos.

Em caso de condições extremas de utilização (por ex., ao polir metais com o prato de apoio e rebolos de fibra vulcanizada) pode formar-se uma forte sujidade no interior da lixadora de detalhes. Por motivos de segurança, quando tais condições de utilização se verificarem, é necessário limpar o interior de deposições metálicas e ligar em série um disjuntor de corrente de falha (FI). Depois da reacção do disjuntor-FI, a máquina tem de ser enviada para reparação.

Para as ferramentas a serem montadas com a roda de orifício roscado, certifique-se de que a rosca na roda é suficientemente longa para receber o fuso em todo o seu comprimento.

Para trabalhos de corte deve utilizar-se uma cobertura de protecção fechada, disponível no programa de acessórios.

UTILIZAÇÃO AUTORIZADA

A afiadora angular pode ser utilizada para a rectificação de corte e desbaste de diversos materiais, como por ex. metal ou pedra, bem como para o desbaste com discos de desbaste em plástico e para trabalhos com a escova de fio de aço. Em caso de dúvida, observe as indicações do fabricante dos acessórios.

Não use este produto de outra maneira sem ser a normal para o qual foi concebido.

DECLARAÇÃO DE CONFORMIDADE CE

Declaramos, sob nossa exclusiva responsabilidade, que este produto cumpre as seguintes normas ou documentos normativos: EN 60745-1:2009+A11:2010

EN 60745-2-3:2011

EN 55014-1:2006+A1:2009+A2:2011

EN 55014-2:1997+A1:2001+A2:2008

EN 61000-3-2:2006+A1:2009+A2:2009

EN 61000-3-3:2008

conforme as disposições das directivas

2011/65/EU (RoHS)

2006/42/CE

2004/108/CE



Winnenden, 2012-09-09

Rainer Kumpf
Director Product Development

Autorizado a reunir a documentação técnica.

LIGAÇÃO À REDE

Só conectar à corrente alternada monofásica e só à tensão de rede indicada na placa de potência. A conexão às tomadas de rede sem contacto de segurana também é possível, pois trata-se duma construção da classe de protecção II.

ELECTRÓNICA

A electrónica mantém a velocidade constante independentemente da carga da máquina.

Em caso de sobrecarga a absorção de corrente é reduzida até à diminuição da carga.

MANUTENÇÃO

Mantiver desobstruídos os rasgos de ventilação na carcaça da máquina.

Não deixe que peças metálicas toquem nas fendas de circulação de ar - perigo de curto-circuitos.

Utilizar unicamente acessórios e peças sobressalentes da Milwaukee. Sempre que a substituição de um componente não tenha sido descrita nas instruções, será de toda a conveniência mandar executar esse trabalho a um Serviço de Assistência Milwaukee (veja o folheto Garantia/Endereços de Serviços de Assistência).

A pedido e mediante indicação da referência de dez números que consta da chapa de características da máquina, pode requerer-se um desenho explosivo da ferramenta eléctrica a: Milwaukee Electric Tool, Max-Eyth-Straße 10, D-71364 Winnenden, Germany

SYMBOLS



Leia atentamente o manual de instruções antes de colocar a máquina em funcionamento.



Usar sempre óculos de protecção ao trabalhar com a máquina.



Antes de efectuar qualquer intervenção na máquina, tirar a ficha da tomada.



Acessório - Não incluído no equipamento normal, disponível como acessório.



Não deite ferramentas eléctricas no lixo doméstico! De acordo com a directiva europeia 2002/96/CE sobre ferramentas eléctricas e electrónicas usadas e a transposição para as leis nacionais, as ferramentas eléctricas usadas devem ser recolhidas em separado e encaminhadas a uma instalação de reciclagem dos materiais ecológica.



Classe de protecção II, ferramenta eléctrica, na qual a protecção contra choque eléctrico não só depende de um isolamento básico, mas na qual medidas de segurança suplementares, como isolamento duplo ou isolamento reforçado, são aplicadas.

TECHNISCHE GEGEVENS	Haakse slijpmachine	AGV17-125XE	AGV17-125XE DMS
Nominaal afgegeven vermogen.....	1750 W	1750 W	1750 W
Afgegeven vermogen	1150 W	1150 W	1150 W
Min. Onbelast toerental	2600-11000 min ⁻¹	2600-11000 min ⁻¹	2600-11000 min ⁻¹
Slijpschijf-Ø	125 mm	125 mm	125 mm
Asaansluiting	M 14	M 14	M 14
Gewicht volgens de EPTA-procedure 01/2003.....	2,8 kg	2,8 kg	2,8 kg

Geluids-/trillingsinformatie

Meetwaarden vastgesteld volgens EN 60 745.

Het kenmerkende A-gewogen geluidsniveau van de machine bedraagt:

Geluidsdrukniveau (K = 3 dB(A))	90 dB(A)	90 dB(A)
Geluidsvermogeniveau (K = 3 dB(A))	101 dB(A)	101 dB(A)

Draag oorbeschermers!

Totale trillingswaarden (vectorsom van drie richtingen) bepaald volgens EN 60745.

Doorslijpen en voorbereiden: trillingsemisiewaarde a _h	9 m/s ²	9 m/s ²
Onzekerheid K =	1,5 m/s ²	1,5 m/s ²
Slijpen met kunststof slijpschijf: trillingsemisiewaarde a _h	3,65 m/s ²	3,65 m/s ²
Onzekerheid K =	1,5 m/s ²	1,5 m/s ²

Bij andere toepassingen zoals bijv. doorslijpen of schuren met de staalborstel, kunnen andere trilwaarden ontstaan!

WAARSCHUWING

De in deze aanwijzingen vermelde trillingsdruk is gemeten volgens een in EN 60745 genormeerde meetmethode en kan worden gebruikt voor de onderlinge vergelijking van apparaten. Hij is ook geschikt voor een voorlopige inschatting van de trillingsbelasting.

De aangegeven trillingsdruk geldt voor de meest gebruikelijke toepassingen van het elektrische apparaat. Wanneer het elektrische gereedschap echter voor andere doeleinden, met andere dan de voorgeschreven hulpstukken gebruikt of niet naar behoren onderhouden wordt, kan de trillingsdruk afwijken. Dit kan de waarde van de trillingsdruk over de hele werkperiode aanzienlijk verhogen.

Voor een nauwkeurige inschatting van de trillingsdruk moeten ook de tijden in aanmerking worden genomen dat het apparaat uitgeschakeld is of weliswaar loopt, maar niet werkelijk in gebruik is. Dit kan de waarde van de trillingsdruk over de hele werkperiode aanzienlijk verminderen.

Bepaal extra veiligheidsmaatregelen ter bescherming van de bediener tegen de inwerking van trillingen, bijvoorbeeld: onderhoud van elektrische gereedschappen en apparaten, warmhouden van de handen, organisatie van de werkprocessen.

⚠ WAARSCHUWING! Lees alle veiligheidsinstructies en aanwijzingen door - ook die in de bijgeleverde brochure. Als de waarschuwingen en voorschriften niet worden opgevolgd, kan dit een elektrische schok, brand of ernstig letsel tot gevolg hebben. **Bewaar alle waarschuwingen en voorschriften voor toekomstig gebruik.**

VEILIGHEIDSADVIEZEN

Algemene waarschuwingen voor slijpen, schuren, borstelen en doorslijpen:

a) Dit elektrische gereedschap is bestemd voor gebruik als slijpmachine, schuurmachine, borstelmachine en doorslijpmachine. Neem alle waarschuwingen, aanwijzingen, afbeeldingen en gegevens die u bij het elektrische gereedschap ontvangt in acht. Als u de volgende aanwijzingen niet in acht neemt, kunnen een elektrische schok, brand en/of ernstig letsel het gevolg zijn.

b) Dit elektrische gereedschap is niet geschikt voor het polijsten. Ondoelmatig gebruik van dit elektrische gereedschap kan leiden tot gevaren en persoonlijke letsel.

c) Gebruik uitsluitend toebehoren dat door de fabrikant speciaal voor dit elektrische gereedschap is voorzien en geadviseerd. Het feit dat u het toebehoren aan het elektrische gereedschap kunt bevestigen, waarborgt nog geen veilig gebruik.

d) Het toegestane toerental van het inzetgereedschap moet minstens even hoog zijn als het maximale toerental dat op het elektrische gereedschap vermeld staat. Toebehoren dat sneller draait dan toegestaan, kan breken en wegvliegen.

e) De buitendiameter en de dikte van het inzetgereedschap moeten overeenkomen met de maatgegevens van het elektrische gereedschap. Inzetgereedschappen met onjuiste afmetingen kunnen niet voldoende afgeschermd of gecontroleerd worden.

f) Slijpschijven, flenzen, steunschijven en ander toebehoren moeten nauwkeurig op de uitgaande as van

het elektrische gereedschap passen. Inzetgereedschappen die niet nauwkeurig op de uitgaande as van het elektrische gereedschap passen, draaien ongelijkmatig, trillen sterk en kunnen tot het verlies van de controle leiden.

g) Gebruik geen beschadigde inzetgereedschappen. Controleer voor het gebruik altijd inzetgereedschappen zoals slijpschijven op afsplinteringen en scheuren, steunschijven op scheuren of sterke slijtage en draadborstels op losse of gebroken draden. Als het elektrische gereedschap of het inzetgereedschap valt, dient u te controleren of het beschadigd is, of gebruik een onbeschadigd inzetgereedschap. Als u het inzetgereedschap hebt gecontroleerd en ingezet, laat u het elektrische gereedschap een minuut lang met het maximale toerental lopen. Daarbij dient u en dienen andere personen uit de buurt van het ronddraaiende inzetgereedschap te blijven. Beschadigde inzetgereedschappen breken meestal gedurende deze testtijd.

h) Draag persoonlijke beschermende uitrusting. Gebruik afhankelijk van de toepassing een volledige gezichtsbescherming, oogbescherming of veiligheidsbril. Draag voor zover van toepassing een stofmasker, een gehoorbescherming, werkhandschoenen of een speciaal schoort dat kleine slijp- en materiaaldeeltjes tegenhoudt. Uw ogen moeten worden beschermd tegen wegvliegende deeltjes die bij verschillende toepassingen ontstaan. Een stof- of adembeschermingsmasker moet bij de toepassing ontstaande stof filteren. Als u lang wordt blootgesteld aan luid lawaai, kan uw gehoor worden beschadigd.

i) Let erop dat andere personen zich op een veilige afstand bevinden van de plaats waar u werkt. Iedereen die de werkomgeving betreedt, moet persoonlijke beschermende uitrusting dragen. Brokstukken van het werkstuk of gebroken inzetgereedschappen kunnen wegvliegen en verwondingen veroorzaken, ook buiten de directe werkomgeving.

j) Houd het elektrische gereedschap alleen vast aan de geïsoleerde greepvlakken als u werkzaamheden uitvoert waarbij het inzetgereedschap verborgen stroomleidingen of de eigen netkabel kan raken. Contact met een onder

spanning staande leiding zet ook de metalen delen van het elektrische gereedschap onder spanning en leidt tot een elektrische schok.

k) Houd de stroomkabel uit de buurt van draaiende inzetgereedschappen. Als u de controle over het elektrische gereedschap verliest, kan de stroomkabel worden doorgesneden of mEGenomen en uw hand of arm kan in het ronddraaiende inzetgereedschap terecht komen.

l) Leg het elektrische gereedschap nooit neer voordat het inzetgereedschap volledig tot stilstand is gekomen. Het draaiende inzetgereedschap kan in contact komen met het oppervlak, waardoor u de controle over het elektrische gereedschap kunt verliezen.

m) Laat het elektrische gereedschap niet lopen terwijl u het draagt. Uw kleding kan door toevallig contact met het draaiende inzetgereedschap worden mEGenomen en het inzetgereedschap kan zich in uw lichaam boren.

n) Reinig regelmatig de ventilatieopeningen van het elektrische gereedschap. De motorventilator trekt stof in het huis en een sterke ophoping van metaalstof kan elektrische gevaren veroorzaken.

o) Gebruik het elektrische gereedschap niet in de buurt van brandbare materialen. Vonken kunnen deze materialen ontsteken.

p) Gebruik geen inzetgereedschappen waarvoor vloeibare koelmiddelen vereist zijn. Het gebruik van water of andere vloeibare koelmiddelen kan tot een elektrische schok leiden.

Terugslag en bijbehorende waarschuwingen

Terugslag is de plotselinge reactie als gevolg van een vasthoudend of geblokkeerd draaiend inzetgereedschap, zoals een slijpschijf, steunschijf, draadborstel, enz. Vasthouden of blokkeren leidt tot abrupte stilstand van het ronddraaiende inzetgereedschap. Daardoor wordt een ongecontroleerd elektrisch gereedschap tegen de draairichting van het inzetgereedschap versneld op de plaats van de blokkering. Als bijvoorbeeld een slijpschijf in het werkstuk vasthaakt of blokkeert, kan de rand van de slijpschijf die in het werkstuk invalt, zich vastgrijpen. Daardoor kan de slijpschijf uitbreken of een terugslag veroorzaken. De slijpschijf bewEGt zich vervolgens naar de bediener toe of van de bediener weg, afhankelijk van de draairichting van de schijf op de plaats van de blokkering. Hierbij kunnen slijpschijven ook breken. Een terugslag is het gevolg van het verkeerd gebruik of onjuiste gebruiksomstandigheden van het elektrische gereedschap. Terugslag kan worden voorkomen door geschikte voorzorgsmaatregelen, zoals hieronder beschreven.

a) Houd het elektrische gereedschap goed vast en breng uw lichaam en uw armen in een positie waarin u de terugslagkrachten kunt opvangen. Gebruik altijd de extra handgreep, indien aanwezig, om de grootst mogelijke controle te hebben over terugslagkrachten of reactiemomenten bij het op toeren komen. De bediener kan door geschikte voorzorgsmaatregelen de terugslag- en reactiekrachten beheersen.

b) Breng uw hand nooit in de buurt van draaiende inzetgereedschappen. Het inzetgereedschap kan bij de terugslag over uw hand bewegen.

c) Mijd met uw lichaam het gebied waarheen het elektrische gereedschap bij een terugslag wordt bewogen. De terugslag drijft het elektrische gereedschap in de richting die tegengesteld is aan de beweging van de slijpschijf op de plaats van de blokkering.

d) Werk bijzonder voorzichtig in de buurt van hoeken, scherpe randen, enz. Voorkom dat inzetgereedschappen van het werkstuk terugspringen en vastklemmen. Het ronddraaiende inzetgereedschap neigt er bij hoeken, scherpe randen of wanneer het terugspringt toe om zich vast te klemmen. Dit veroorzaakt een controleverlies of terugslag.

e) Gebruik geen kettingblad of getand zaagblad. Zulke inzetgereedschappen veroorzaken vaak een terugslag of het verlies van de controle over het elektrische gereedschap.

Bijzondere waarschuwingen voor slijp- en doorslijpwerkzaamheden

a) Gebruik uitsluitend het voor het elektrische gereedschap toegestane slijptoebehoren en de voor dit slijptoebehoren voorziene beschermkap. Slijptoebehoren dat niet voor het elektrische gereedschap is voorzien, kan niet voldoende worden afgeschermd en is niet veilig.

b) Gebruik altijd de beschermkap die voor het gebruikte soort slijpgereedschap is voorzien. De beschermkap moet stevig op het elektrische gereedschap zijn aangebracht en zodanig zijn ingesteld dat een maximum aan veiligheid wordt bereikt. Dat wil zeggen dat het kleinste mogelijke deel van het slijpgereedschap open naar de bediener wijst. De beschermkap moet de bediener beschermen tegen brokstukken en toevallig contact met het slijpgereedschap.

c) Slijptoebehoren mag alleen worden gebruikt voor de geadviseerde toepassingsmogelijkheden. Bijvoorbeeld: slijp nooit met het zijvlak van een doorslijpschijf. Doorslijpschijven zijn bestemd voor materiaalafname met de rand van de schijf. Een zijwaartse krachtingwerking op dit slijptoebehoren kan het toebehoren breken.

d) Gebruik altijd onbeschadigde spanflenzen in de juiste maat en vorm voor de door u gekozen slijpschijf. Geschikte flenzen steunen de slijpschijf en verminderen zo het gevaar van een slijpschijfbreuk. Flenzen voor doorslijpschijven kunnen verschillen van de flenzen voor andere slijpschijven.

e) Gebruik geen versleten slijpschijven van grotere elektrische gereedschappen zijn niet geconstrueerd voor de hogere toerentallen van kleinere elektrische gereedschappen en kunnen breken.

Overige bijzondere waarschuwingen voor doorslijpwerkzaamheden

a) Voorkom blokkeren van de doorslijpschijf en te hoge aandrukkraft. Slijp niet overmatig diep. Een overbelasting van de doorslijpschijf vergroot de slijtage en de gevoeligheid voor kantelen of blokkeren en daardoor de mogelijkheid van een terugslag of breuk van het slijptoebehoren.

b) Mijd de omgeving voor en achter de ronddraaiende doorslijpschijf. Als u de doorslijpschijf in het werkstuk van u weg bewEGt, kan in het geval van een terugslag het elektrische gereedschap met de draaiende schijf rechtstreeks naar u toe worden geslingerd.

c) Als de doorslijpschijf vastklemt of als u de werkzaamheden onderbreekt, schakelt u het elektrische gereedschap uit en houdt u het rustig tot de schijf tot stilstand is gekomen. Probeer nooit om de nog draaiende doorslijpschijf uit de groef te trekken. Anders kan een terugslag het gevolg zijn. Stel de oorzaak van het vastklemmen vast en maak deze ongedaan.

d) Schakel het elektrische gereedschap niet opnieuw in zolang het zich in het werkstuk bevindt. Laat de doorslijpschijf eerst het volledige toerental bereiken voordat u het doorslijpen voorzichtig voortzet. Anders kan de schijf vaststaken, uit het werkstuk springen of een terugslag veroorzaken.

e) Ondersteun platen of grote werkstukken om het risico van een terugslag door een ingeklemde doorslijpschijf te verminderen. Grote werkstukken kunnen onder hun eigen gewicht doorbuigen. Het werkstuk moet aan beide zijden worden ondersteund, vlakbij de slijpgrøef en aan de rand.

f) Wees bijzonder voorzichtig bij invallend frezen in bestaande muren of andere plaatsen zonder voldoende zicht. De invallende doorslijpschijf kan bij het doorslijpen van gas- of waterleidingen, elektrische leidingen of andere objecten een terugslag veroorzaken.

Bijzondere waarschuwingen voor schuurwerkzaamheden

a) Gebruik geen schuurbladen met te grote afmetingen, maar houd u aan de voorschriften van de fabrikant voor de maten van schuurbladen. Schuurbladen die over de rand van de steunschijf uitsteken, kunnen verwondingen veroorzaken en kunnen tot blokkeren, scheuren van de schuurbladen of terugslag leiden.

Bijzondere waarschuwingen voor werkzaamheden met draadborstels

a) Houd er rekening mee dat de draadborstel ook tijdens het normale gebruik draadstukken verliest. Overbelast de draden niet door een te hoge aandrukkraft. Wegvliegende draadstukken kunnen gemakkelijk door dunne kleding en/of de huid dringen.

b) Als het gebruik van een beschermkap wordt geadviseerd, dient u te voorkomen dat beschermkap en draadborstel elkaar kunnen raken. Vlakstaal- en komstaalborstels kunnen door aandrukkraft en centrifugaalkrachten hun diameter vergroten.

Verplaatsbaar gereedschap moet bij het gebruik buiten aan een aardlekschakelaar (FI, RCD, PRCD) aangesloten worden. Spanen of splinters mogen bij draaiende machine niet worden verwijderd.

Machine alleen uitgeschakeld aan het net aansluiten.

Niet aan de draaiende delen komen.

Altijd de zijhandgreep gebruiken.

Bij schuren en doorslijpen altijd met de beschermkap werken. Machine onmiddellijk controleren als sterke trillingen optreden of andere gebreken worden vastgesteld. Controleer de machine om de oorzaak vast te stellen.

Slijpschijven altijd volgens de voorschriften van de fabrikant gebruiken en bewaren.

Bij het schuren van metalen ontstaan vonken. Er op letten dat er geen personen in gevaar worden gebracht. In verband met het brandgevaar mogen zich geen brandbare materialen in de buurt (gebied waar de vonken vallen) bevinden. Geen stofzuiging gebruiken

Machine altijd zo vasthouden dat vonken of slijpstof van het lichaam zijn af gericht.

Voor het doorslijpen van steen is de geleideslede voorschrift.

De flensmoer moet vóór de ingebruikname van de machine aangetrokken zijn.

Het te bewerken werkstuk moet vast worden ingespannen als het niet door het eigen gewicht stabiel ligt. Nooit het werkstuk met de hand tegen de schijf houden.

Bij extreme gebruiksvaarden (bijv. gladlijpen van metaal met de steun en de vulkaanfiber-slijpschijven) kan in het inwendige van de haakse slijper ernstige verontreiniging ontstaan. Bij dergelijke werkzaamheden is om veiligheidsredenen een grondige reiniging van de binnenzijde (verwijdering van metaalslijpsel) en tevens de voorschakeling van een lekstroomschakelaar (FI) vereist. Na het aanspreken van de lekstroomschakelaar moet de machine ter reparatie worden opgestuurd.

Bij gebruik van gereedschappen die bedoeld zijn voor wielen met schroefgaten, dient men te controleren dat de schroefdraad in het wiel lang

Voor doorslijpwerkzaamheden gesloten beschermkap uit het toebereidingsprogramma gebruiken.

VOORGESCHREVEN GEBRUIK VAN HET SYSTEEM

De haakse slijpmachine is geschikt voor het doorslijpen en voorbewerken van allerlei materialen, bijvoorbeeld metaal of steen, voor het slijpen met een kunststof slijpschijf en voor het werken met een staalborstel. Neem in twijfelgevallen de aanwijzingen van de toebereidingsfabrikant in acht.

Dit apparaat uitsluitend gebruiken voor normaal gebruik, zoals aangegeven.

EC - VERKLARING VAN OVEREENSTEMMING

Wij verklaren dat dit product voldoet aan de volgende normen of normatieve documenten:

EN 60745-1:2009+A11:2010

EN 60745-2:3:2011

EN 55014-1:2006+A1:2009+A2:2011

EN 55014-2:1997+A1:2001+A2:2008

EN 61000-3-2:2006+A1:2009+A2:2009

EN 61000-3-3:2008

overeenkomstig de bepalingen van de richtlijnen

2011/65/EU (RoHS)

2006/42/EG
2004/108/EG



Winnenden, 2012-09-09

Rainer Kumpf
Director Product Development

Gemachtigd voor samenstelling van de technische documenten

NETAANSLUITING

Uitsluitend op éénfase-wisselstroom en uitsluitend op de op het typeplaatje aangegeven netspanning aansluiten. Aansluiting is ook mogelijk op een stekerdoos zonder aardcontact mogelijk, omdat het is ontworpen volgens veiligheidsklasse II.

ELEKTRONIC

De electronic houdt het toerental bij sijgende belasting constant.

Bij overbelasting wordt de stroomafname tot aan het verminderen van de belasting gereduceerd.

ONDERHOUD

Altijd de luchtspleten van de machine schoonhouden.

Vanwege kortsluitingsgevaar mogen metaaldeeltjes niet in de luchtschachten terechtkomen.

Alleen Milwaukee toebehoren en onderdelen gebruiken. Onderdelen welke niet vermeld worden, kunnen het beste door de Milwaukee servicedienst verwisseld worden (zie Serviceadressen).

Onder vermelding van het tiencijferige nummer op het machineplaatje is desgewenst een doorsnedetekening van de machine verkrijgbaar bij: Milwaukee Electric Tool, Max-Eyth-Strasse 10, D-71364 Winnenden, Germany

SYMBOLEN



Graag instructies zorgvuldig doorlezen vóórdat u de machine in gebruik neemt.



Bij het werken met de machine altijd een veiligheidsbril dragen.



Voor alle werkzaamheden aan de machine de stekker uit de contactdoos trekken.



Toebehoren - Wordt niet meegeleverd. Is apart leverbaar. Zie hiervoor het toebereidingsprogramma.



Geef elektrisch gereedschap niet met het huisvuil mee! Volgens de Europese richtlijn 2002/96/EG inzake oude elektrische en elektronische apparaten en de toepassing daarvan binnen de nationale wetgeving, dient gebruikt elektrisch gereedschap gescheiden te worden ingezameld en te worden afgevoerd naar een recycle bedrijf dat voldoet aan de geldende milieu-eisen.



Beschermingsklasse II, elektrisch gereedschap waarbij de bescherming tegen elektrische schokken niet afhankelijk is van de basisisolatie, maar waarin extra veiligheidsmaatregelen worden toegepast zoals dubbele of versterkte isolatie.

TEKNISCHE DATA

	Vinkelsliber	AGV17-125XE	AGV17-125XE DMS
Nominaal optagen effect	1750 W	1750 W	1750 W
Afgiven effect	1150 W	1150 W	1150 W
Maks. omreningstal, ubelastet	2600-11000 min ⁻¹	2600-11000 min ⁻¹	2600-11000 min ⁻¹
Slibeskive-Ø	125 mm	125 mm	125 mm
Spindelgevind	M 14	M 14	M 14
Vægt svarer til EPTA-procedure 01/2003	2,8 kg	2,8 kg	2,8 kg

Støj/Vibrationsinformation

Måleværdier beregnes iht. EN 60 745.

Værktøjets A-værdierede støjniveau er typisk:

Lydtrykniveau (K=3 dB(A))	90 dB(A)	90 dB(A)
Lydeffekt niveau (K=3 dB(A))	101 dB(A)	101 dB(A)

Brug høreværn!

Samlede vibrationsværdier (værdisum for tre retninger) beregnet iht. EN 60745.

Skæreb- og skrubslibning: Svingningsemissionsstal a _h	9 m/s ²	9 m/s ²
Usikkerhed K =	1,5 m/s ²	1,5 m/s ²
Slibning med tallerkenslibeskive af kunststof: Svingningsemissionsstal a _h	3,65 m/s ²	3,65 m/s ²
Usikkerhed K =	1,5 m/s ²	1,5 m/s ²

Ved anden anvendelse, f.eks. kapskæring eller slibning med ståltrådsbørste, kan andre vibrationsværdier forekomme!

ADVARSEL

Svingningsniveauet, som er angivet i disse anvisninger, er målt i henhold til standardiseret måleprocedure ifølge EN 60745 og kan anvendes til indbyrdes sammenligning mellem el-værktøjer. Svingningsniveauet er ligeledes egnet som foreløbigt skøn over svingningsbelastningen.

Det angivne svingningsniveau er baseret på el-værktøjets primære anvendelsesformål. Hvis el-værktøjet benyttes til andre formål, med andet indsatsværktøj eller ikke vedligeholdes tilstrækkeligt, kan svingningsniveauet afvige. Dette kan øge svingningsbelastningen over den samlede arbejdsperiode betydeligt.

For en nøjagtig vurdering af svingningsbelastningen skal der også tages højde for de tidsperioder, hvor apparatet er slukket, eller hvor apparatet kører, men uden at være i anvendelse. Dette kan reducere svingningsbelastningen over den samlede arbejdsperiode betydeligt.

Supplerende sikkerhedsforanstaltninger til beskyttelse af brugeren mod påvirkninger fra svingninger skal iværksættes, f.eks.: Vedligeholdelse af el-værktøj og indsatsværktøj, varmholdelse af hænder, organisering af arbejdsprocesser.

ADVARSEL! Læs alle sikkerhedsanvisninger og øvrige vejledninger, også i den vedlagte brochure. I tilfælde af manglende overholdelse af advarselsanvisningerne og instrukserne er der risiko for elektrisk stød, brand og/eller alvorlige kvæstelser.
Opbevar alle advarselsanvisninger og instrukser til senere brug.

SIKKERHEDSHENVISNINGER

Fælles advarselsanvisninger til slibning, sandpapirslibning, arbejde med trådbørster og skærearbejde:

a) Dette el-værktøj kan anvendes som sliber, sandpapirsliber, trådbørste og skæremaskine. Læs og overhold alle advarsler, instruktioner, illustrationer og data, som du modtager i forbindelse med el-værktøjet. Overholder du ikke følgende instruktioner, kan du få elektrisk stød, der kan opstå brand og/eller du kan blive kvæstet alvorligt.

b) Dette el-værktøj er ikke egnet til polering. Anvendes el-værktøjet til formål, det ikke er beregnet til, kan der opstå farlige situationer, som kan medføre kvæstelser.

c) Anvend kun tilbehør, hvis det er beregnet til dette el-værktøj og anbefalet af fabrikanten. En mulig fastgørelse af tilbehøret til el-værktøjet sikrer ikke en sikker anvendelse.

d) Den tilladte hastighed for indsatsværktøjet skal mindst være så høj som den max. hastighed, der er angivet på el-værktøjet. Tilbehør, der drejer hurtigere end tilladt, kan blive ødelagt eller flyve omkring.

e) Indsatsværktøjets udvendige diameter og tykkelse skal svare til målene på dit el-værktøj. Forkert målt indsatsværktøj kan ikke afskærmes eller kontrolleres tilstrækkeligt.

f) Slibeskiver, flanger, slibebagskiver eller andet tilbehør skal passe nøjagtigt til slibespindlen på dit el-værktøj. Indsatsværktøjet, der ikke passer nøjagtigt på el-værktøjets slibespindel, drejer ujævnt, vibrerer meget stærkt og kan medføre, at man taber kontrollen.

g) Brug ikke el-værktøjet, hvis det er beskadiget. Kontroller altid før brug indsatsværktøj som f.eks. slibeskiver for afsplintninger og revner, slibebagskiver for revner, slid eller stærkt slid, trådbørster for løse eller brækkede træde. Tabes el-værktøjet eller indsatsværktøjet på jorden, skal du kontrollere, om det er beskadiget; anvend evt. et ubeskadiget indsatsværktøj. Når indsatsværktøjet er kontrolleret og indsat, skal du holde dig selv og personer, der befinder sig i nærheden, uden for det niveau, hvor indsatsværktøjet roterer, og lad el-værktøjet køre i et minut ved højeste hastighed. Beskadiget indsatsværktøj brækker for det meste i denne testtid.

h) Brug personligt beskyttelsesudstyr. Brug helmaske til ansigtet, øjenværn eller beskyttelsesbriller, afhængigt af det udførte arbejde. Brug afhængigt af arbejdets art støvmaske, høreværn, beskytteshandsker eller specialforklæde, der beskytter dig mod små slibe- og materialepartikler. Øjenene skal beskyttes mod fremmede genstande, der flyver rundt i luften og som opstår i forbindelse med forskelligt arbejde. Støv- eller åndedrætsmaske skal filtrere det støv, der opstår under arbejdet. Udsættes du for høj støj i længere tid, kan du lide høretab.

i) Sørg for tilstrækkelig afstand til andre personer under arbejdet. Enhver, der betræder arbejdsområdet, skal bruge personligt beskyttelsesudstyr. Brudstykker fra emnet eller brækket indsatsværktøj kan flyve væk og føre til kvæstelser også uden for det direkte arbejdsområde.

j) Hold altid kun el-værktøjet i de isolerede gribeblade, når du udfører arbejde, hvor indsatsværktøjet kan ramme bøjede strømledninger eller værkøjtets eget kabel. Kontakt med en spændingsførende ledning sætter også metaldele under spænding, hvilket fører til elektrisk stød.

k) Hold netkablet væk fra roterende indsatsværktøj. Taber du kontrollen over el-værktøjet, kan netkablet skæres over eller rammes, og din hånd eller din arm kan trækkes ind i det roterende indsatsværktøj.

l) Læg aldrig el-værktøjet til side, før indsatsværktøjet står helt stille. Det roterende indsatsværktøj kan komme i kontakt

med fralægningsfladen, hvorved du kan tabe kontrollen over el-værktøjet.

m) Lad ikke el-værktøjet køre, mens det bæres. Dit tøj kan blive fanget ved en tilfældig kontakt med det roterende indsatsværktøj, hvorved indsatsværktøjet kan bore sig ind i din krop.

n) Rengør ventilationsåbningerne på dit el-værktøj med regelmæssige mellemrum. Motorhuset trækker støv ind i huset, og store mængder metalstøv kan være farligt rent elektrisk.

o) Brug ikke el-værktøjet i nærheden af brændbare materialer. Gnister kan sætte ild i materialer.

p) Brug ikke indsatsværktøj, der transporterer flydende kølemiddel. Brug af vand eller andre flydende kølemidler kan føre til elektrisk stød.

Tilbageslag og tilsvarende advarsler

Tilbageslag er en pludselig reaktion, som skyldes, at et roterende indsatsværktøj (slibemaskine, slibebagskive, træbørste osv.) har sat sig fast eller blokerer. Fastsættelse eller blokering fører til et pludseligt stop af det roterende indsatsværktøj. Derved accelereres et ukontrolleret el-værktøj mod indsatsværktøjets omningsretning på blokeringsstedet. Sidder f.eks. en slibeskive fast eller blokerer i et emne, kan kanten på slibeskiven, der dykker ned i emnet, blive siddende, hvorved slibeskiven brækker af eller fører til et tilbageslag. Slibeskiven bevæger sig så hen imod eller væk fra betjeningspersonen, afhængigt af skivens drejerejretning på blokeringsstedet. Derved kan slibeskiver også brække. Et tilbageslag skyldes forkert eller fejlbekræftet brug af el-værktøjet. Det kan forhindres ved at træffe egnede forsigtighedsforanstaltninger, der beskrives i det følgende.

a) Hold godt fast i el-værktøjet og sørg for at både krop og arme befinder sig i en position, der kan klare tilbageslagskræfterne. Anvend altid ekstrahåndtaget, hvis et sådant findes, for at have så meget kontrol som muligt over tilbageslagskræfterne eller reaktionsmomenterne, når maskinen kører op i hastighed. Betjeningspersonen kan beherske tilbageslags- og reaktionskræfterne med egnede forsigtighedsforanstaltninger.

b) Sørg for at din hånd aldrig kommer i nærheden af det roterende indsatsværktøj. Indsatsværktøjet kan bevæge sig hen over din hånd i forbindelse med et tilbageslag.

c) Undgå at din krop befinder sig i det område, hvor el-værktøjet bevæger sig i forbindelse med et tilbageslag. Tilbageslaget driver el-værktøjet i modsat retning af slibeskivens bevægelse på blokeringsstedet.

d) Arbejd særlig forsigtig i områder som f.eks. hjørner, skarpe kanter osv. Forhindre at indsatsværktøjet slår tilbage fra emnet og sætter sig fast. Det roterende indsatsværktøj har tendens til at sætte sig fast, når det anvendes i hjørner, skarpe kanter eller hvis det springer tilbage. Dette medfører, at man taber kontrollen eller tilbageslag.

e) Brug ikke kædesavklinger eller tandede savklinger. Sådant indsatsværktøj fører hyppigt til tilbageslag eller at man taber kontrollen over el-værktøjet.

Særlige advarselshenvisninger til slibning og skærearbejde

a) Brug udelukkende slibeskiver/slibestifter, der er godkendt til dit el-værktøj, og den beskyttelseskappe, der er beregnet til disse slibeskiver/slibestifter. Slibeskiver/slibestifter, der ikke er beregnet til el-værktøjet, kan ikke beskyttes tilstrækkeligt og er usikre.

b) Anvend altid beskyttelseskappen, der er beregnet til den anvendte type slibeskiver/slibestifter. Beskyttelseskappen skal være anbragt sikkert på el-værktøjet og være indstillet på en sådan måde, at der nås max. sikkerhed, dvs. at den mindst mulige del af slibeskiven skal pege hen imod betjeningspersonen. Beskyttelseskappen skal beskytte betjeningspersonen mod brudstykker og tilfældig kontakt med slibeskiven/slibestiften.

c) Slibeskiver/slibestifter må kun anvendes til de anbefalede formål. F.eks.: Slib aldrig med sidefladen på en skæreskive. Skæreskiver er bestemt til materialeafslibning

med kanten på skiven. Udsættes disse slibeskiver/slibestifter for sidevendt kraftpåvirkning, kan de ødelægges.

d) Anvend altid udeskadigede spændeflanger i den rigtige størrelse og form, der passer til den valgte slibeskive.

Egnede flanger støtter slibeskiven og forringer således faren for brud på slibeskiven. Flanger til skæreskiver kan være forskellige fra flanger for andre slibeskiver.

e) Brug ikke slidte slibeskiver, der passer til større el-værktøj. Slibeskiver til større el-værktøj kan brække, da de ikke er egnede til de højere omdrejningstal, som småt el-værktøj arbejder med.

Yderligere særlige advarselshenvisninger til skærearbejde

a) Undgå at skæreskiven blokerer eller får for højt modtryk. Foretag ikke meget dybe snit. Overbelastet skæreskiven, øges skivens belastning og der er større tendens til, at skiven kan sætte sig i klemme eller blokere, hvilket igen kan føre til tilbageslag eller brud på slibeskiven/slibestiften.

b) Undgå området for og bag ved den roterende skæreskive. Bevæger du skæreskiven i emnet væk fra dig selv, kan el-værktøjets roterende skive slynges direkte ind mod dig i tilfælde af et tilbageslag.

c) Sidder skæreskiven i klemme eller afbryder du arbejdet, slukkes el-værktøjet og maskinen holdes roligt, til skiven er stoppet. Forsøg aldrig at trække skæreskiven ud af snittet, mens den roterer, da dette kan føre til et tilbageslag. Lokalisér og afhjælp fejlen.

d) Tænd ikke for el-værktøjet, så længe det befinder sig i emnet. Sørg for at skæreskiven når op på sit fulde omdrejningstal, før du forsigtigt fortsætter snittet. Ellers kan skiven sætte sig i klemme, springe ud af emnet eller forårsage et tilbageslag.

e) Understøt plader eller store emner for at reducere risikoen for et tilbageslag som følge af en fastklemt skæreskive. Store plader kan bøje sig under deres egen vægt. Emnet skal støttes på begge sider, både i nærheden af skæresnittet og ved kanten.

f) Vær særlig forsigtig ved „lomme snit“ i bestående vægge eller andre områder, hvor man ikke har direkte indblik. Den neddykkende skæreskive kan forårsage et tilbageslag, når der skæres i gas- eller vandledninger, elektriske ledninger eller andre genstande.

Særlige advarselshenvisninger til sandpapirslibning

a) Anvend ikke overdimensioneret slibepapir, men læs og overhold fabrikantens forskrifter mht. slibepapirets størrelse. Slibepapirer, der rager ud over slibebagskiven, kan føre til kvæstelser eller blokering eller iturivning af slibepapirerne eller til tilbageslag.

Særlige advarselshenvisninger i forbindelse med arbejde med træbørster

a) Vær opmærksom på, at træbørsten også taber trådstykker under almindelig brug. Overbelast ikke trådene med et for stort tryk. Vækflyvende trådstykker kan meget hurtigt trænge ind under tyndt tøj og/eller huden.

b) Anbefales det at bruge en beskyttelseskappe, skal du forhindre, at beskyttelseskappe og træbørste kan berøre hinanden. Tallerken- og kopbørster kan øge deres diameter med tryk og centrifugalkraft.

Stikdåser uden dørs skal være forsynet med fejlstrømssikringskontakter (FI, RCD, PRCD). Det forlanger installationsforskriften for Deres elektroanlæg. Overhold dette, når De bruger vores maskiner.

Spåner eller splinter må ikke fjernes, medens maskinen kører.

Maskinen slutes kun udkoblet til stikdåsen.

Pas på ikke at få hånden ind i maskinen.

Brug altid støttegrebet.

Anvend altid sikkerhedsskærm ved skrubning og skæring.

Sluk straks for værktøjet, hvis der opstår betydelige svingninger eller der konstateres andre mangler. Kontrollér værktøjet og find frem til årsagen.

Benyt og opbevar kun slibeskiver iht. fabrikantens angivelser.

Gnistregn opstår ved slibning af metal. Vær opmærksom på, at personer ikke kommer til skade. På grund af brandfare må brandbare materialer ikke opbevares i nærheden (gnistregnområde). Brug ikke støvsuger.

Maskinen skal altid håndteres således, at gnister og slibestøv slynges væk fra kroppen.

Til deling af sten er føringsslæden foreskrevet.

Flangemotrikken skal spændes inden maskinen tages i brug.

Det arbejdsemne, som skal bearbejdes, fastspændes, medmindre det holdes på plads af arbejdsemnets egen vægt. Før aldrig emnet mod skiven med hånden.

Under ekstreme anvendelsesbetingelser (f.eks. glat slibning af metaller med støtteskive og vulkanfiber-slibeskiver) kan det indvendige af vinkelsliberen blive meget snavset. I sådanne tilfælde er det af sikkerhedsgrunde nødvendigt at foretage grundig rengøring af indvendige metalaflejringer, ligesom det er absolut nødvendigt at installere et fejlstrøms- (HFI) relæ. Hvis HFI-relæet aktiveres, skal maskinen indsendes til reparation.

For værktøj hvor på der skal monteres hjul med gevindskåret hul, skal De sikre, at gevindet i hjulet er langt nok til at rumme aksellængden.

Til skærearbejder skal benyttes lukket beskyttelseskappe fra tilbehørsprogrammet.

TILTÆNKT FORMÅL

Vinkelsliberen kan anvendes til overskæring og skrubslibning af mange materialer, som f.eks. metal eller sten, samt til slibning med kunststof-tallerkenslibeskive og til arbejde med ståltrådsbørste. Er du i tvivl, så læs vejledningen fra producenten af tilbehøret.

Produktet må ikke anvendes på anden måde og til andre formål end foreskrevet.

CE-KONFORMITÆTSEKLERING

Vi erklærer under almindeligt ansvar, at dette produkt er i overensstemmelse med følgende normer eller norma-tive dokumenter.

EN 60745-1:2009+A11:2010

EN 60745-2-3:2011

EN 55014-1:2006+A1:2009+A2:2011

EN 55014-2:1997+A1:2001+A2:2008

EN 61000-3-2:2006+A1:2009+A2:2009

EN 61000-3-3:2008

i henhold til bestemmelserne i direktiverne

2011/65/EU (RoHS)

2006/42/EF

2004/108/EF



Winnenden, 2012-09-09

Rainer Kumpf
Director Product Development

Autoriseret til at udarbejde de tekniske dokumenter.

NETTILSLUTNING

Tilslutning må kun foretages til enfaset vekselstrøm og kun til en netspænding, som er i overensstemmelse med angivelsen på mærkepladen. Tilslutning kan også ske til stikdåser uden beskyttelseskontakt, da kapslingsklasse II foreligger.

ELEKTRONIK

Elektronikken regulerer omdrejningstallet ved stigende belastning.

Ved længere tids overbelastning skifter elektronikken om til reduceret omdrejningstal.

VEDLIGEHOLDELSE

Hold altid maskinens ventilationsåbninger rene.

Metaldeler må ikke trænge ind i ventilationsåbningerne, da dette kan føre til kortslutning

Brug kun Milwaukee tilbehør og reservedele. Lad de komponenter, hvis udskiftning ikke er blevet beskrevet, udskifte hos Milwaukee service (se kundeserviceadresser).

Ved opgivelse af type nr. der er angivet på maskinens effektskilt, kan De rekvirere en reservedelstegning, ved henvendelse til: Milwaukee Electric Tool, Max-Eyth-Straße 10, D-71364 Winnenden, Germany

SYMBOLER



Læs brugsanvisningen nøje før ibrugtagning.



Når der arbejdes med maskinen, skal man have beskyttelsesbriller på.



Før ethvert arbejde ved maskinen skal stikket tages ud af stikdåsen.



Tilbehør - Ikke inkluderet i leveringsomfanget, køb købes som tilbehør.



Elværktøj må ikke bortskaffes som almindeligt affald! I henhold til det europæiske direktiv 2002/96/EF om bortskaffelse af elektriske og elektroniske produkter og gældende national lovgivning skal brugt Iværktøj indsamles separat og bortskaffes på en måde, der skåner miljøet mest muligt.



Kapslingsklasse II, el-værktøj, hvor beskyttelsen mod elektrisk stød ikke kun afhænger af basisisoleringen, men hvor beskyttelsesforanstaltninger, såsom dobbelt isolering eller forstærket isolering, tillige finder anvendelse.

TEKNISKE DATA	Vinkelsliper	AGV17-125XE	AGV17-125XE DMS
Nominell inngangseffekt	1750 W	1750 W	1750 W
Avgitt effekt	1150 W	1150 W	1150 W
Tomgangsturtall maks.....	2600-11000 min ⁻¹	2600-11000 min ⁻¹	2600-11000 min ⁻¹
slipeskive-Ø	125 mm	125 mm	125 mm
Spindelgjenge	M 14	M 14	M 14
Vekt i henhold til EPTA-Prosedyren 01/2003.....	2,8 kg	2,8 kg	2,8 kg

Støy/Vibrasjonsinformasjon

Måleverdier fastslått i samsvar med EN 60745.

Det typiske A-bedømte støynivået for maskinen er:

Lydtrykknivå (K=3 dB(A)).....	90 dB(A)	90 dB(A)
Lydeffektnivå (K=3 dB(A)).....	101 dB(A)	101 dB(A)

Bruk hørselsvern!

Totale svingningsverdier (vektorsum fra tre retninger) beregnet jf. EN 60745.

Kutting og polering/rensing: svingningens emisjonsverdi a _w	9 m/s ²	9 m/s ²
Usikkerhet K =	1,5 m/s ²	1,5 m/s ²
Sliping med kunststoffskive: svingningens emisjonsverdi a _w	3,65 m/s ²	3,65 m/s ²
Usikkerhet K =	1,5 m/s ²	1,5 m/s ²

Ved andre anvendelser, som f.eks. kutting eller sliping med stålborste, kan andre vibrasjonsverdier oppstå!

ADVARSEL

Svingningsnivået som er angitt i denne instruksjonen er målt i overensstemmelse med målemetoden normert i direktiv EN 60745 og kan brukes til å sammenligne elektrisk maskiner med hverandre. Den egner seg også for en foreløpig vurdering av svingningsbelastningen.

Det angitte svingningsnivået representerer de hovedsaklige bruk av elektroverktøyet. Men anvendes elektroverktøyet for andre bruk med avvikende utskiftbare verktøy eller vedlikeholdet er utilstrekkelig, kan svingningsnivået være avvikende.

Dette kan forhøye svingningsbelastning betydelig over hele arbeidsperioden. For en nøyaktig vurdering av svingningsbelastningen må også det tas hensyn til tiden apparatet er avslått eller står på, men ikke er i bruk. Dette kan redusere svingningsbelastningen betydelig over hele arbeidsperioden.

Innfør også ekstra sikkerhetstiltak for å beskytte bruker mot utvirkingen av svingningene. Disse kan f.eks. være: vedlikehold av elektroverktøyet og det utskiftbare verktøyet, holde hendene varme, organisasjon av arbeidsforløpet.

⚠ ADVARSEL! Les alle sikkerhetsinstruksjoner og bruksanvisninger, også de i den vedlagte brosjyren. Feil ved overholdelsen av advarene og nedenstående anvisninger kan medføre elektriske støt, brann og/eller alvorlige skader.

Ta godt vare på alle advarene og informasjonene.

SPESEILLE SIKKERHETSHENVISNINGER

Felles advarsler om sliping, sandpapirsliping, arbeid med stålborster og kapping:

a) Dette elektroverktøyet skal brukes som sliper, sandpapirsliper, stålborste og kuttessliper. Følg alle advarsler, anvisninger, bilder og data som du får levert sammen med elektroverktøyet. Hvis du ikke følger følgende anvisninger, kan det oppstå elektriske støt, ild og/eller store skader.

b) Dette elektroverktøyet er ikke egnet til å polering. Bruk som elektroverktøyet ikke er konstruert for, kan forårsake farer og skader.

c) Ikke bruk tilbehør som ikke er spesielt beregnet og anbefalt av produsenten for dette elektroverktøyet. Selv om du kan feste tilbehøret på elektroverktøyet ditt, garanterer dette ingen sikker bruk.

d) Det godkjente turtallet til innsatsverktøyet må være minst like høyt som det maksimale turtallet som er angitt på elektroverktøyet. Tilbehør som dreies hurtigere enn godkjent, kan brette og slynges rundt.

e) Utvendig diameter og tykkelse på innsatsverktøyet må tilsvare målene for elektroverktøyet. Gale innsatsverktøy kan ikke sikres eller kontrolleres tilstrekkelig.

f) Slipeskiver, flenser, slipetallerkener eller annet tilbehør må passe nøyaktig på slipespindelen til elektroverktøyet. Innsatsverktøy som ikke passer nøyaktig på slipespindelen til elektroverktøyet, roterer uregelmessig, vibrerer svært sterkt og kan føre til at du mister kontrollen.

g) Ikke bruk skadede innsatsverktøy. Sjekk før hver bruk om innsatsverktøy slik som slipeskiver er splintret eller

revnet, om slipetallerkener er revnet eller svært slitt, om stålborster har løse eller har brukte tråder. Hvis elektroverktøyet eller innsatsverktøyet faller ned, må du kontrollere om det er skadet eller bruk er ikke skadet innsatsverktøyet. Når du har kontrollert og satt inn innsatsverktøyet, må du holde personer som oppholder seg i nærheten unna det roterende innsatsverktøyet og la elektroverktøyet gå i ett minutt med maksimalt turtall. Som regel brette skadede innsatsverktøy i løpet av denne testtiden.

h) Bruk personlig beskyttelsesutstyr. Avhengig av typen bruk må du bruke visir, øyebeskyttelse eller vernebriller. Om nødvendig må du bruke støvmaske, hørselsvern, vernehansker eller spesialfokle som holder små slipe- og materialpartikler unna kroppen din. Øynene bør beskyttes mot fremmedlegemer som kan fly rundt ved visse typer bruk. Støv- eller pustevernmasker må filtrere den typen støv som oppstår ved denne bruken. Hvis du er utsatt for sterk støy over lengre tid, kan du miste hørselen.

i) Pass på at andre personer holder tilstrekkelig avstand til arbeidsområdet ditt. Alle som går inn i arbeidsområdet må bruke personlig verneutstyr. Bruke deler til verktøyet eller brukne innsatsverktøy kan slynges ut og derfor også forårsake skader utenfor det direkte arbeidsområdet.

j) Ta kun tak i elektroverktøyet på de isolerte gripeflatene, hvis du utfører arbeid der innsatsverktøyet kan treffe på skjulte strømløpninger eller den egne strømløpningen. Kontakt med en spenningsførende ledning setter også elektroverktøyet metalldele under spenning og fører til elektriske støt.

k) Hold strømløpningen unna roterende innsatsverktøyet. Hvis du mister kontrollen over elektroverktøyet kan strømløpningen kappes eller komme inn i verktøyet, og hånden eller armen din kan komme inn i det roterende innsatsverktøyet.

l) Legg aldri elektroverktøyet ned før innsatsverktøyet er stanset helt. Det roterende innsatsverktøyet kan komme i kontakt med overflaten der maskinen legges ned, slik at du kan miste kontrollen over elektroverktøyet.

m) La aldri elektroverktøyet være innkoblet mens du bærer det. Tøyet ditt kan komme inn i det roterende innsatsverktøyet hvis det tilfeldigvis kommer i kontakt med verktøyet og innsatsverktøyet kan da bore seg inn i kroppen din.

n) Rengjør ventilasjonsåpningene til elektroverktøyet med jevne mellomrom. Motorviften trekker støv inn i huset, og en stor oppsamling av metallstøv kan medføre elektrisk fare.

o) Ikke bruk elektroverktøyet i nærheten av brennbare materialer. Gnister kan antenne disse materialene.

p) Bruk ikke innsatsverktøy som krever flytende kjølemidler. Bruk av vann eller andre flytende kjølemidler kan føre til elektriske støt.

Tilbakeslag og tilsvarende advarsler

Tilbakeslag er innsatsverktøyet plutselige reaksjon etter at det har hengt seg opp eller blokkerer. Dette kan gjelde slipeskiven, slipetallerkener, stålborsten osv.. Opphenging eller blokkering fører til at det roterende innsatsverktøyet stanser helt plutselig. Slik akselereres et ukontrollert elektroverktøy mot innsatsverktøyet dreieretning på blokkeringsstedet. Hvis f. eks. en slipeskive henger seg opp eller blokkerer i arbeidsstykket, kan kanten på slipeskiven som dykker inn i arbeidsstykket, henge seg opp og slik brette slipeskiven eller forårsaker et tilbakeslag. Slipeskiven beveger seg da mot eller bort fra brukeren, avhengig av skivens dreieretning på blokkeringsstedet. Slik kan slipeskiver også brette. Et tilbakeslag er resultat av en gal eller feilaktig bruk av elektroverktøyet. Det kan unngås ved å følge egnede sikkerhetstiltak som beskrevet nedenstående.

a) Hold elektroverktøyet godt fast og plasser kroppen og armene dine i en stilling som kan ta imot tilbakeslagskrefter. Bruk alltid ekstrahåndtaket – hvis dette finnes – for å ha størst mulig kontroll over tilbakeslagskrefter eller reaksjonsmomenter ved oppkjøring. Brukeren kan beherske tilbakeslags- og reaksjonsmomenter med egnede tiltak.

b) Hold aldri hånden i nærheten av det roterende innsatsverktøyet. Innsatsverktøyet kan bevege seg over hånden din ved tilbakeslag.

c) Unngå at kroppen din befinner seg i området der elektroverktøyet vil bevege seg ved et tilbakeslag. Tilbakeslaget driver elektroverktøyet i motsatt retning av slipeskivens dreieretning på blokkeringsstedet.

d) Vær spesielt forsiktig i hjørner, på skarpe kanter osv. Du må forhindre at innsatsverktøy avpelles fra arbeidsstykket eller klemmes fast. Det roterende innsatsverktøyet har en tendens til å klemmes fast i hjørner, på skarpe kanter eller hvis det avpelles. Dette forårsaker kontrolltap eller tilbakeslag.

e) Bruk ikke kjedesagblad eller tannet sagblad. Slike innsatsverktøy fører ofte til tilbakeslag eller til at man mister kontrollen over elektroverktøyet.

Spesielle advarsler om sliping og kapping

a) Bruk kun slipeskiver som er godkjent for dette elektroverktøyet og et verneedekele som er konstruert for denne typen slipeskive. Slipeskiver som ikke ble konstruert for dette elektroverktøyet, kan ikke beskyttes tilsvarende og er ikke sikre.

b) Bruk alltid verneedekelet som ble konstruert for den slipeskivetypen du bruker. Verneedekelet må monteres sikkert på elektroverktøyet og innstilles slik at det oppnås så stor sikkerhet som mulig, dvs. den minste delen på slipeskiven skal peke åpent mot brukeren. Verneedekelet skal beskytte brukeren mot avbrukne deler og tilfeldig kontakt med slipeskiven.

c) Slipeskiver må kun brukes til anbefalt type bruk. F. eks.: Ikke slip med sideflaten til en kappeskive. Kappeskiver er beregnet til materialfjerning med kanten på skiven. Innvirkning av krefter fra siden kan føre til at slipeskivene brette.

d) Bruk alltid uskadede spennflenser i riktig størrelse og form for den slipeskiven du har valgt. Egnede flenser støtter slipeskiven og reduserer slik faren for at slipeskivene brette. Flenser for kappeskiver kan være annerledes enn flenser for andre slipeskiver.

e) Ikke bruk slitte slipeskiver fra større elektroverktøy. Slipeskiver for større elektroverktøy er ikke beregnet til de høyere turtall på mindre elektroverktøy og kan brette.

Ytterligere spesielle advarsler for kappesliping

a) Unngå blokkering av kappeskiven eller for sterkt presstrykk. Ikke utfør for dype snitt. En overbelastning av kappeskiven øker slitasjen og tendensen til fastkilling eller blokkering og dermed også muligheten til tilbakeslag eller brudd på slipeskiven.

b) Unngå området foran og bak den roterende kappeskiven. Hvis kappeskiven beveger seg bort fra deg i arbeidsstykket, kan elektroverktøyet med den roterende skiven ved tilbakeslag slynges direkte mot kroppen din.

c) Hvis kappeskiven blokkerer eller du avbryter arbeidet, slår du av elektroverktøyet og holder det rolig til skiven er stanset helt. Forsøk aldri å trekke den roterende kappeskiven ut av snittet, ellers kan det oppstå et tilbakeslag. Finn og fjern årsaken til blokkeringen.

d) Ikke start elektroverktøyet igjen så lenge det befinner seg i arbeidsstykket. La kappeskiven oppnå det maksimale turtallet før du fortsetter forsiktig med snittet. Ellers kan skiven henge seg opp, springe ut av arbeidsstykket eller forårsake tilbakeslag.

e) Støtt plater eller store arbeidsstykker for å redusere risikoen for tilbakeslag fra en fastklemt kappeskive. Store arbeidsstykker kan bøyes av sin egen vekt. Arbeidsstykket må støttes på begge sider, både nær kappesnittet og på kanten.

f) Vær spesielt forsiktig ved «inndykningssnitt» i vegger eller andre uoversiktelige områder. Den inntrengende kappeskiven kan treffe på gass- eller vannledninger, elektriske ledninger eller gjenstander som kan forårsake tilbakeslag.

Spesielle advarsler om sandpapirsliping

a) Ikke bruk overdimensjonerte slipeskiver, følg produsentens dimensjoner om slipepapirstørrelsen. Slipeskiver som peker ut over slipetallerkener kan forårsake skader og føre til at slipeskivene blokkerer eller revner eller til at det oppstår tilbakeslag.

Spesielle advarsler for arbeid med stålborster

a) Husk på at stålborsten mister stålbiten i løpet av vanlig bruk. Ikke overbelast ståldelene med for sterkt presstrykk. Ståldeler som slynges bort kan lett trenge inn gjennom tynt tøy og/eller hud.

b) Hvis det anbefales å bruke et verneedekele, må du forhindre at verneedekelet og stålborsten kan berøre hverandre. Tallerken- og koppborster kan få større diameter med presstrykk og sentrifugalkrefter.

Stikkontakter utendørs må være utstyrt med feilstrøm-sikkerhetsbryter (FLRCD,PRCD). Dette forlanges av installasjonsforskriften for elektroanlegg. Vennligst følg dette når du bruker vårt apparat.

Spon eller filser må ikke fjernes mens maskinen er i gang.

Maskinen må være slått av når den koples til stikkkontakten.

Ikke grip inn i fareområdet mens maskinen er i gang.

Bruk alltid ekstrahåndtaket.

Arbeid alltid med verneedekelet ved rubbing og kapping.

Slå straks av apparat når det oppstår store svingninger eller du fastslår andre mangler. Kontroller maskinen for å fastslå årsaken.

Bruk og oppbevar slipeskiver alltid i henhold til produsentens anvisninger.

Ved sliping av metall flyr det gnister. Pass på at ingen personer blir utsatt for fare. På grunn av brannfaren må det ikke finnes noen brennbare materialer i nærheten (gnistområdet). Ikke bruk støvavsug.

Hold apparatet alltid slik at gnister eller slipestøv flyr vekk fra kroppen.

Føringsleiden er forskrift ved kapping av stein.

Flensmutteren må være trukket til før maskinen startes.

Det emnet som skal bearbejdes må være fastspenst, hvis det ikke blir holdt av sin egen vekt. Før aldri emnet med hånden mot skiven.

Under ekstreme bruksforhold (f.eks. ved glattslipling av metall med støtteskive og vulkanfiber-slipeskiver) kan det legges seg mye skitt inne i vinkelsliperen. Ved slike bruksforhold er det av sikkerhetsgrunner nødvendig med innvendig rengjøring for å fjerne metallrester, det er dessuten tvingende nødvendig å montere en jordfeil- (FI) bryter. Hvis FI-bryteren reagerer må maskinen innsendes til reparasjon.

For verktøy som skal tilpasses hjul med gjengete hull, påse at gjengen i hjulet er langt nok til spindelengden.

For kutting bruk lukket beskyttelseshetten fra tilbehørdelene.

FORMALSMESSIG BRUK

Vinkelsliperen kan brukes til kutting og polering/rensing av mange materialer, som f.eks. metall eller stein. Den kan også brukes til slipling med kunststoffskiver og til arbeid med stålborste. I tvilstilfeller ta hensyn til instruksjonene til produsenten av tilbehøret

Dette apparatet må kun brukes til de oppgitte formål.

CE-SAMSVARERKLÆRING

Vi erklærer på eget ansvar at dette produktet stemmer overens med de følgende normer eller normative dokumenter.

EN 60745-1:2009+A11:2010

EN 60745-2-3:2011

EN 55014-1:2006+A1:2009+A2:2011

EN 55014-2:1997+A1:2001+A2:2008

EN 61000-3-2:2006+A1:2009+A2:2009

EN 61000-3-3:2008

i henhold til bestemmelserne i direktivene

2011/65/EU (RoHS)

2006/42/EF

2004/108/EF



Winnenden, 2012-09-09

Rainer Kumpf
Director Product Development

Autorisert til å utarbeide den tekniske dokumentasjonen

NETTLIKOPLING

Skal bare tilsluttes enfasevekselstrøm og bare til den på skiltet angitte nettspenning. Tilslutning til stikkontakter uten jordet kontakt er mulig fordi beskyttelse beskyttelsesklasse II er forhanden.

ELEKTRONIKK

Elektronikken holder turtallet konstant ved stigende belastning.

Ved overbelastning blir strømopptaket senket for å redusere belastningen.

VEDLIKEHOLD

Hold alltid luftenåpningene på maskinen rene.

På grunn av kortslutningsfare må metalldeleer ikke komme inn i luftenåpningene.

Bruk kun Milwaukee tilbehør og reservedeler. Komponenter der utskifting ikke er beskrevet skal skiftes ut hos Milwaukee kundeservice (se brosjyre garanti/kundeserviceadresser).

Ved behov kan du be om en eksplosjonstegning av apparatet hos din kundeservice eller direkte hos Milwaukee Electric Tool, Max-Eyth-Straße 10, D-71364 Winnenden, Germany Oppgi maskintype og det tilsifrete nummeret på typeskiltet.

SYMBOLER



Les nøye gjennom bruksanvisningen før maskinen tas i bruk.



Bruk alltid vernebrille når du arbeider med maskinen.



Trekk støpslet ut av stikkontakten før du begynner å arbeide på maskinen.



Tilbehør - inngår ikke i leveransen, anbefalt komplettering fra tilbehørsprogrammet.



Kast aldri elektroverktøy i husholdningsavfallet! I henhold til EU-direktiv 2002/96/EF om kasserte elektriske og elektroniske produkter og direktivets iverksettning i nasjonal rett, må elektroverktøy som ikke lenger skal brukes, samles separat og returneres til et miljøvennlig gjenvinningsanlegg.



Verneklasse II, elektroverktøy, vern mot elektriske slag beror ikke bare på basisisoleringen, men også på at i tillegg vernetilak som dobbelte isolering eller forsterket isolering anvendes.

TEKNISKA DATA

	Vinkelslip	AGV17-125XE	AGV17-125XE DMS
Nominell opptagen effekt.....	1750 W	1750 W	1750 W
Uteffekt	1150 W	1150 W	1150 W
Max. Tomgångsvarvtal, obelastad	2600-11000 min ⁻¹	2600-11000 min ⁻¹	2600-11000 min ⁻¹
Slipskivor-Ø	125 mm	125 mm	125 mm
Spindelgånga.....	M 14	M 14	M 14
Vikt enligt EPTA 01/2003	2,8 kg	2,8 kg	2,8 kg

Buller-/vibrasjonsinformasjon

Måtvårdene har tagits fram baserande på EN 60 745.

A-vårdet av maskinens ljudnivå utgör:

Ljudtrycksnivå (K=3 dB(A))	90 dB(A)	90 dB(A)
Ljuddefektsnivå (K=3 dB(A))	101 dB(A)	101 dB(A)

Använd hörselskydd!

Totala vibrationsvården (vektorsumma ur tre riktningar) framtaget enligt EN 60745.

Kapning och slipning: svängningsemissionsvärde a_h 9 m/s² | 9 m/s² |

Onoggrannhet K = 1,5 m/s² | 1,5 m/s² |

Slipning med plastslipallrik: svängningsemissionsvärde a_h 3,65 m/s² | 3,65 m/s² |

Onoggrannhet K = 1,5 m/s² | 1,5 m/s² |

Om man använder verktyget för andra ändamål, t ex för kapning eller slipning med stålborste, kan man få andra vibrationsvården!

VARNING

Den i de här anvisningarna angivna vibrationsnivån har uppmåtts enligt ett i EN 60745 normerat mätfförfarande och kan användas vid jämförelse mellan olika elverktyg. Nivån är även lämplig att använda vid en preliminär bedömning av vibrationsbelastningen.

Den angivna vibrationsnivån representerar den huvudsakliga användningen av det aktuella elverktøyet. Men om elverktøyet ska användas i andra användningsområden, tillsammans med avvikende insatsverktøy eller etter otillräckligt underhåll, kan vibrationsnivån skilja sig. Det kan öka vibrationsbelastningen betydligt under hela arbeidstiden.

För att få en exaktare bedömning av vibrationsbelastningen ska även den tid beaktas, under vilken elverktøyet är avstängt eller är påslaget, utan att det verkligen används. Det kan reducera vibrationsbelastningen betydligt under hela arbeidstiden.

Lägg som skydd för användaren fast extra säkerhetsåtgärder mot vibrationernas verkan, som till exempel: underhåll av elverktøy och insatsverktøy, varmhållning av händer och organisering av arbetsförlopp.

⚠ VARNING! Läs alla säkerhetsanvisningar och andra tillhörande anvisningar, även de i den medföljande broschyren. Fel som uppstår till följd av att anvisningarna nedan inte följts kan orsaka elstöt, brand och/eller allvarliga kroppsskador.

Förvara alla varningar och anvisningar för framtida bruk.

SÄKERHETSUTRUSTNING

Gemensamma säkerhetsanvisningar för slipning, sandpappersslipning, arbeten med stålborste och kapslipning:

a) Elverktøyet kan användas som slip-, slippappersslip-, stålborste-, och kapslipmaskin. Beakta alla säkerhetsanvisningar, anvisningar, illustrationer och data som levereras med elverktøyet. Om nedanstående anvisningar ignoreras finns risk for att elstöt, brand och/eller allvarliga personskador uppstår.

b) Den här maskinen är inte avsedd for polering. Tillämpningar som maskinen inte är avsedd for kan fororsaka faror och personskador.

c) Använd inte tillbehör som tillverkaren inte uttryckligen godkänt och rekommenderat for detta elverktøy. Även om tillbehör kan fästas på elverktøyet finns det ingen garanti for en säker användning.

d) Insatsverktøgets tillåtna varvtal måste åtminstone motsvara det på elverktøyet angivna högsta varvtale. Tillbehör med en högre rotationshastighet kan brista och slungas ut.

e) Insatsverktøgets yttre diameter och tjocklek måste motsvara elverktøgets dimensioner. Feldimensionerade insatsverktøy kan inte på betryggande sätt avskämmas och kontrolleras.

f) Slipskivor, flänsar, sliprondeller och annat tillbehör måste passa exakt på elverktøgets slippindel. Insatsverktøy som inte exakt passar till elverktøgets slippindel roterar ojämnt, vibrerar kraftigt och kan leda till att du förlorar kontrollen över verktyget.

g) Använd aldrig skadade insatsverktøy. Kontrollera före varje användning insatsverktøgen som t. ex. slipskivor avseende splitterskador och sprickor, sliprondeller avseende sprickor repor eller kraftig nedslitning, stålborstar avseende lösa eller brustna trådar. Om elverktøyet eller insatsverktøyet skulle falla ned kontrollera om skada uppstått eller montera ett oskadat insatsverktøy. Du och andra personer i nærheten ska efter kontroll och montering av insatsverktøy ställa er utanför insatsverktøgets rotationsradie och sedan låta elverktøyet rotera en minut med högsta varvtal. Skadade insatsverktøy går i de flesta fall sönder vid denna provkörning.

h) Använd personlig skyddsutrustning. Använd alltefter avsett arbete ansiktsskärm, ögonskydd eller skyddsglasögon. Om så behövs, använd dammfiltermask, hörselskydd, skyddshandskar eller skyddsförkläde som skyddar mot små utslungade slip- och materialpartiklar. Ögonen ska skyddas mot utslungade främmande partiklar som kan uppstå under arbetet. Damm- och andningsskydd måste kunna filtrera bort det damm som eventuellt uppstår under arbetet. Risk finns for hörselskada under en längre tids kraftigt buller.

i) Se till att obehöriga personer hålls på betryggande avstånd från arbetsområdet. Alla som rör sign inom arbetsområdet måste använda personlig skyddsutrustning. Brottstycken från arbetsstycket eller insatsverktøgen kan slungas ut och orsaka personskada även utanför arbetsområdet.

j) Håll fast elverktøyet endast vid de isolerade handtagen när arbeten utförs på ställen där insatsverktøyet kan skada dolda elledningar eller egen nåtsladd. Om elverktøyet kommer i kontakt med en spänningsförande ledning sätts elverktøgets metalldeleer under spänning som sedan leder till elstöt.

k) Håll nåtsladden på avstånd från roterande insatsverktøy. Om du förlorar kontrollen över elverktøyet kan nåtsladden kapas eller dras in varvid risk finns for att din hand eller arm dras mot det roterande insatsverktøyet.

l) Lågg aldrig bort elverktyget innan insatsverktyget stannat fullständigt. Det roterande insatsverktyget kan komma i beröring med underlaget varvid risk finns för att du förlorar kontrollen över verktyget.

m) Elverktyget får inte rotera när det bärs. Kläder kan vid tillfällig kontakt med det roterande insatsverktyget dras in varvid insatsverktyget dras mot din kropp.

n) Rengör regelbundet elverktygets ventilationsöppningar. Motorfläkten drar in damm i huset och en kraftig anhopning av metalldamm kan orsaka farliga elströmmar.

o) Använd inte elverktyget i närheten av brännbara material. Risk finns för att gnistor antänder materialet.

p) Använd inte insatsverktyg som kräver flytande kylmedel. Vatten eller andra kylvätskor kan medföra elstöt.

Varning för bakslag

Ett bakslag är en plötslig reaktion hos insatsverktyget när t. ex. slipskivan, sliprondellen, stålborsten hakar upp sig eller blockerar. Detta leder till abrupt uppbromsning av det roterande insatsverktyget. Härvid accelererar ett okontrollerat elverktyg mot insatsverktygets rotationsriktning vid inklämningsstället.

Om t. ex. en slipskiva hakar upp sig eller blockerar i arbetsstycket kan slipskivans kant i arbetsstycket klämmas fast varvid slipskivan bryts sönder eller orsakar bakslag. Slipskivan rör sig nu mot eller bort från användaren beroende på skivans rotationsriktning vid inklämningsstället. Härvid kan slivskivor även brista.

Bakslag uppstår till följd av missbruk eller felaktig hantering av elverktyget. Detta kan undvikas genom skyddsåtgärder som beskrivs nedan.

a) Håll stadigt i elverktyget samt kroppen och armarna i ett läge som är lämpligt för att motstå bakslagskrafter. Använd alltid stödhandtaget för bästa möjliga kontroll av bakslagskrafter och reaktionsmoment vid start. Användaren kan genom lämpliga försiktighetsåtgärder bättre behärska bakslags- och reaktionskrafterna.

b) Håll alltid handen på betryggande avstånd från det roterande insatsverktyget. Insatsverktyget kan vid ett bakslag gå mot din hand.

c) Undvik att hålla kroppen inom det område elverktyget vid ett bakslag rör sig. Bakslaget kommer att driva elverktyget i motsatt riktning till slipskivans rörelse vid inklämningsstället.

d) Var särskilt försiktig vid bearbetning av hörn, skarpa kanter osv. Håll emot så att insatsverktyget inte studsar ut från arbetsstycket eller kommer i kläm. På hörn, skarpa kanter eller vid studsning tenderar det roterande insatsverktyget att komma i kläm. Detta kan leda till att kontrollen förloras eller att bakslag uppstår.

e) Använd aldrig kedje- eller tandade sågklingor. Dessa insatsverktyg orsakar ofta ett bakslag eller förlust av kontrollen över elverktyget.

Speciella varningar för slipning och kapslipning

a) Använd endast slippkroppar som godkända för aktuellt elverktyg och de sprängskydd som är avsedda för dessa slippkroppar. Slippkroppar som inte är avsedda för aktuellt tryckluftverktyg kan inte på betryggande sätt skyddas och är därför farliga.

b) Använd alltid det sprängskydd som är avsett för aktuellt slippkropp. Sprängskyddet måste monteras ordentligt på tryckluftverktyget och vara infäst så att högsta möjliga säkerhet uppnås, dvs den del av slippkroppen som är värd mot användaren måste vara skyddad. Sprängskyddet ska skydda användaren mot brottstycken från eller tillfällig kontakt med slippkroppen.

c) Slippkroppar får användas endast för rekommenderade arbeten. T. ex.: Slipa aldrig med kapskivans sidoyta. Kapskivor är avsedda för materialavverkning med skivans kant. Om tryck från sidan utövas mot slippkroppen kan den spricka.

d) För vald slipskiva ska alltid oskadade spännflänsar i korrekt storlek och form användas. Lämpliga flänsar stöder slipskivan och reducerar sålunda risken för slivskivbrott. Flänsar för kapskivor och andra slipskivor kan ha olika utseende och form.

e) Använd inte nedslitna slipskivor från större elverktyg. Slipskivor för större elverktyg är inte konstruerade för de mindre elverktygens högre varvtal och kan därför spricka.

Andra speciella säkerhetsanvisningar för kapslipning

a) Se till att kapskivan inte kommer i kläm och att den inte utsätts för högt mottryck. Försök inte skära för djupt. Om kapskivan överbelastas ökar dess påfrestning och risk finns för att den snedvids eller blockerar som sedan kan resultera i bakslag eller slivkroppsbrott.

b) Undvik området framför och bakom den roterande kapskivan. Om du för kapskivan i arbetsstycket bort från kroppen kan i händelse av ett bakslag elverktyget med roterande skiva slungas mot din kropp.

c) Om kapskivan kommer i kläm eller arbetet avbryts, koppla från elverktyget och håll det lugnt tills skivan stannat fullständigt. Försök aldrig dra ut en roterande kapskiva ur skärspåret då detta kan leda till bakslag. Lokalisera och åtgärda orsaken för inklämning.

d) Koppla inte åter på elverktyget om det sitter i arbetsstycket. Låt kapskivan uppnå fullt varvtal innan den försiktigt förs in i skärspåret för fortsatt kapning. I annat fall kan skivan haka upp sig, hoppa ur arbetsstycket eller orsaka bakslag.

e) För att reducera risken för ett bakslag till följd av inklämd kapskiva ska skivor och andra stora arbetsstycken stödas. Stora arbetsstycken kan böjas ut till följd av hög egenvikt. Arbetsstycket måste därför stödas på båda sidorna både i närheten av skärspåret och vid kanten.

f) Var speciellt försiktig vid "fickkapning" i dolda områden som t. ex. i en färdig vägg. Där risk finns att kapskivan kommer i kontakt med gas- eller vattenledningar, elledningar eller andra föremål som kan orsaka bakslag.

Speciella säkerhetsanvisningar för sandpappersslipning

a) Använd inte för stora slippapper, se tillverkarens uppgifter om slippapperets storlek. Slippapper som står ut över sliprondellen kan leda till personskada, blockera, rivas sönder eller också orsaka bakslag.

Speciella säkerhetsanvisningar för arbeten med trädborstar

a) Observera att trädborstar även under normal användning förlorar trädbitar. Överbelasta inte stålborsten med för högt anliggningstryck. Utslungade trädbitar kan lätt tränga in genom kläder och/eller i huden.

b) När sprängskydd används bör man se till att sprängskyddet och trädborsten inte berör varandra. Tallriks- och koppborstarnas diameter kan till följd av anliggningstryck och centrifugalkrafter öka.

Anslut alltid verktyget till via en felströmbrytare (FI, RCD, PRCD) vid användning utomhus.

Avlägsna aldrig spån eller flisor när maskinen är igång.

Maskinen skall vara fränkopplad innan den anslutes till väggurtag.

Lakttag största försiktighet när maskinen är igång.

Använd alltid stödhandtag.

Använd alltid skyddsåtgärder vid slipning och kapning.

Fränkoppla maskinen omedelbart om kraftiga vibrationer uppstår eller andra felfunktioner registreras. Kontrollera maskinen för lokalisering av orsak.

Använd och uppbevara alltid slipskivorna enligt tillverkarens anvisningar.

Vid slipning av metall uppstår gnistor. Se till att personer inte skadas. Pga brandrisken får inga brännbara material finnas i närheten (inom gnistområdet). Använd inte dammsugning!

Håll alltid maskinen så, att gnistor och slipdamm flyger i riktning från kroppen.

För kapning av sten måste styrslåde användas.

Flänsmuttern skall vara åtdragen innan start av maskinen.

Spänn fast arbetsstycket om det inte ligger stadigt till följd av egen vikt. För aldrig arbetsstycket för hand mot slipskivan.

Vid extrema användningsvillkor (till exempel vid planslipning av metaller med stödtallrik och slipskivor av vulkanfiber) kan det bildas mycket smuts på insidan av vinkelslipmaskinen. Vid sådana tillfällen krävs det av säkerhetsskäl såväl en grundlig rengöring från metallavlagningar på insidan som en förkoppling av en jordfelsbrytare. Om jordfelsbrytaren skulle löser ut, så måste vinkelslipmaskinen skickas på reparation.

För verktyg avsedda att förses med skivor med gängat hål, bör man kontrollera att skivans gängning är tillräckligt lång att hantera spindelns

Använd den slutna skyddshuvan från tillbehörsprogrammet vid kaparbeten.

ANVÄND MASKINEN ENLIGT ANVISNINGARNA

Vinkelslipen är användbar för kapning och slipning av många material, som till exempel metall och sten, för slipning med plastslipmallrik och för bearbetning med stålborste. Följ vid tveksamma fall anvisningarna från tillverkaren av tillbehöret. Maskinen får endast användas för angiven tillämpning.

CE-FÖRSÄKRAN

Vi intygar och ansvarar för, att denna produkt överensstämmer med följande norm och dokument
EN 60745-1:2009+A11:2010
EN 60745-2-3:2011
EN 55014-1:2006+A1:2009+A2:2011
EN 55014-2:1997+A1:2001+A2:2008
EN 61000-3-2:2006+A1:2009+A2:2009
EN 61000-3-3:2008
enl. bestämmelser och riktlinjerna
2011/65/EU (RoHS)
2006/42/EG
2004/108/EG



Winnenden, 2012-09-09

Rainer Kump
Director Product Development

Befullmäktigad att sammanställa teknisk dokumentation.

NÄTANSLUTNING

Får endast anslutas till 1-fas växelström och till den spänning som anges på dataskylden. Anslutning kan även ske till eluttag utan skyddskontakt, eftersom konstruktionen motsvarar skyddsklass II.

ELEKTRONIK

Elektroniken håller varvtalet konstant vid ökad belastning.

Vid överbelastning reduceras strömstyrkan för att minska belastningen.

SKÖTSEL

Se till att motorhöljets luftslitsar är rena.

OBS! Undvik att metalldelar hamnar i luftslitsarna - risk för kortslutning!

Använd endast Milwaukee tillbehör och reservdelar. Reservdelar vars utbyte ej beskrivs byts bäst av Milwaukee auktoriserad serviceverkstad (se broschyr Garanti/Kundtjänstadresser).

Vid behov av sprängskiss, kan en sådan, genom att uppge maskinens art. nr. (som finns på typskylten) erhållas från: Milwaukee Electric Tool, Max-Eyth-Straße 10, D-71364 Winnenden, Germany

SYMBOLER



Läs instruktionen noga innan du startar maskinen.



Använd alltid skyddsglasögon.



Drag alltid ur kontakten när du utför arbeten på maskinen.



Tillbehör - Ingår ej i leveransomfånget, erhålles som tillbehör.



Elektriska verktyg får inte kastas i hushållssoporna! Enligt direktivet 2002/96/EG som avser äldre elektrisk och elektronisk utrustning och dess tillämpning enligt nationell lagstiftning ska uttjänta elektriska verktyg sorteras separat och lämnas till miljövänlig återvinning.



Skyddsklass II, elverktyg där skyddet mot elektriska stötar inte bara hänförs till en basisolering, utan som också har extra skyddsanordningar, som t.ex. en dubbel isolering eller en förstärkt isolering.

TEKNISET ARVOT	Kulmahiomakone	AGV17-125XE	AGV17-125XE DMS
Nimellinen teho.....	1750 W	1750 W	1750 W
Antoteho.....	1150 W	1150 W	1150 W
Max. Kuormittamaton kierrosluku.....	2600-11000 min ⁻¹	2600-11000 min ⁻¹	2600-11000 min ⁻¹
Hiomalaikan Ø.....	125 mm	125 mm	125 mm
Karan kierre.....	M 14	M 14	M 14
Paino EPTA-menettelyn 01/2003 mukaan.....	2,8 kg	2,8 kg	2,8 kg

Melunpäästö-/tärinätiedot

Mitta-arvot määritetty EN 60 745 mukaan.

Koneen tyyppilinen A-luokitettu melutaso:

Melutaso (K = 3 dB(A)).....	90 dB(A)	90 dB(A)
Äänenvoimakkuus (K = 3 dB(A)).....	101 dB(A)	101 dB(A)

Käytä kuulosuojaimia!

Värähtelyn yhteisarvot (kolmen suunnan vektorisumma) mitattuna EN 60745 mukaan.

Katkaisui- ja karkeahionतालajat: värähtelyn päästöarvo a _h	9 m/s ²	9 m/s ²
Epävarmuus K =	1,5 m/s ²	1,5 m/s ²
Hiontaalavuohiomalautasta käyttäen: värähtelyn päästöarvo a _h	3,65 m/s ²	3,65 m/s ²
Epävarmuus K =	1,5 m/s ²	1,5 m/s ²

Muilla käyttötaivoilla, esim. katkaisussa tai teräslankaharjalla hiottaessa, saattaa esiintyä muunlaisia tärinäarvoja!

VAROITUS

Näissä ohjeissa mainittu värähtelytaso on mitattu EN 60745 -standardin mukaisella mittausmenetelmällä ja sitä voidaan käyttää sähkötyökalujen vertaamiseen. Sitä voidaan käyttää myös värähtelyrasituksen väliaikaiseen arviointiin.

Mainittu värähtelytaso edustaa sähkötyökalun pääasiallista käyttöä. Jos sähkötyökalua kuitenkin käytetään muihin tehtäviin, poikkeavin työkalu tai riittämättömästi huoltaen, värähtelytaso voi olla erilainen. Se voi korottaa värähtelyrasitusta koko työajan osalta.

Tarkan värähtelyrasituksen toteamiseen tulee ottaa huomioon aika, jona laite on kytketty pois tai on kylläkin päällä, mutta ei käytössä. Se voi pienentää värähtelyrasitusta koko työajan osalta.

Määrittele lisäturvatoimenpiteitä käyttäjän suojaamiseksi värinöiden vaikutukselta, kuten esimerkiksi: sähkötyökalujen ja käyttötyökalujen huolto, käsien lämpimänä pitäminen, työvaiheiden organisaatio.

VAROITUS! Lue kaikki, myös oheistetussa esitteessä annetut turvallisuusmääräykset ja käyttöohjeet. Turvallisuusohjeiden noudattamisen laiminlyönti saattaa johtaa sähköiskuun, tulipaloon ja/tai vakavaan loukkaantumiseen. **Säilytä kaikki turvallisuus- ja muut ohjeet tulevaisuutta varten.**

TURVALLISUUSOHJEET

Yhteiset turvallisuusohjeet hiomista, hiekkapaperihiomista, työskentelyä teräsharjan kanssa ja katkaisuhiontaa varten:

a) Tätä sähkötyökalua tulee käyttää hiomakoneena, hiekkapaperihiomakoneena, teräsharja- ja katkaisuhiomakoneena. Ota huomioon kaikki varo-ohjeet, ohjeet, piirustukset ja tiedot, joita saat sähkötyökalun kanssa. Ellei noudata seuraavia ohjeita, saattaa se johtaa sähköiskuun, tulipaloon ja/tai vaikeisiin loukkaantumisiin.

b) Tämä sähkötyökalu ei sovellu kiillottamiseen. Sellainen käyttö, jota varten sähkötyökalua ei ole tehty, saattaa aiheuttaa vaaratilanteita ja vammoja.

c) Älä käytä mitään lisälaitteita, joita ei valmistaja ole tarkoittanut tai suositellut nimenomaan tälle sähkötyökalulle. Vain se, että pesty kiinnittämään laitetta sähkötyökaluusi ei takaa sen turvallista käyttöä.

d) Vaihtotyökalun sallitun kierrosluvun tulee olla vähintään yhtä suuri, kuin sähkötyökalussa mainittu suurin kierrosluku. Lisätarvike, joka pyörii sallittua suuremmalla nopeudella, saattaa murtua ja sinkoutua ympäristöön.

e) Vaihtotyökalun ulkohalkaisijan ja paksuuden tulee vastata sähkötyökalun mittatietoja. Väärin mitoitetut vaihtotyökaluja ei voida suojata tai hallita riittävästi.

f) Hiomalaikkojen, laippojen, hiomalautasten ja muitten tarvikkeiden tulee sopia tarkasti sähkötyökalusi hiomakaraan. Vaihtotyökalut, jotka eivät sovi tarkkaan sähkötyökalun hiomakaraan pyörivät epätasaisesti, tärisevät voimakkaasti ja saattavat johtaa työkalun hallinnan menettämiseen.

l) Älä aseta sähkötyökalua pois, ennen kuin vaihtotyökalu on pysähtynyt kokonaan. Pyörivä vaihtotyökalu saattaa koskettaa leppopintaa ja voi menettää sähkötyökalusi hallinnan.

m) Älä koskaan pidä sähkötyökalua käynnissä sitä kantaessaasi. Vaatteesi voi hetkellisen kosketuksen seurauksena tarttua kiinni pyörivään vaihtotyökaluun, joka saattaa porautua kehoosi.

n) Puhdista sähkötyökalusi tuuletusaukot säännöllisesti. Moottorin tuuletin imee pölyä työkalun koteloon, ja voimakas metallipölyn kasautuma voi synnyttää sähköisiä vaaratilanteita.

o) Älä käytä sähkötyökalua palavien aineiden lähellä. Kipinät voivat sytyttää näitä aineita.

p) Älä käytä vaihtotyökaluja, jotka tarvitsevat nestemäistä jäähdytysainetta. Veden tai muiden nestemäisten jäähdytysaineiden käyttö saattaa johtaa sähköiskuun.

Takaisku ja vastaavat varo-ohjeet

Takaisku on äkillinen reaktio, joka syntyy pyörivän vaihtotyökalun, kuten hiomalaikan, hiomalautasen tai teräsharjan tarttuessa kiinni tai jäädessä puristukseen. Tarttumisen tai puristukseen joutuminen johtaa pyörivän vaihtotyökalun äkilliseen pysähtymiseen. Tällöin hallitsematon sähkötyökalu sinkoutuu tarttumakohdasta vaihtotyökalun kiertosuunnasta vastakkaiseen suuntaan.

Jos esim. hiomalaikka tarttuu tai joutuu puristukseen työkappaleeseen, saattaa hiomalaikan reuna, joka on opponnut työkappaleeseen, juuttua kiinni aiheuttaen hiomalaikan ponnahtuksen ulos työkappaleesta tai aiheuttaa takaiskun. Hiomalaikka liikkuu silloin käyttävää henkilöä vasten tai poispäin hänestä, riippuen laikan kiertosuunnasta tarttumakohdassa. Tällöin hiomalaikka voi myös murtua. Takaisku johtuu sähkötyökalun väärinkäytöstä tai käytöstä väärään tarkoitukseen. Se voidaan estää sopivin varotoimin, joita selostetaan seuraavassa.

a) Pitele sähkötyökalua tukevasti ja saata kehoasi ja käsivartesi asentoon, jossa pystyt vastaamaan takaiskuvoimiin. Käytä aina lisäkavhua, jos sinulla on sellainen, jotta pystyisit parhaalla mahdollisella tavalla hallitsemaan takaiskuvoimia tai vastamomentteja työkalun ryntökäynnissä. Käyttävä henkilö pystyy hallitsemaan takaisku ja vastamomenttivoimat noudattamalla sopivia suoja-toimenpiteitä.

b) Älä koskaan tuo kättäsi lähelle pyörivää vaihtotyökalua. Vaihtotyökalu saattaa takaiskun sattuessa liikkua kätesi yli.

c) Vältä pitämästä kehoasi alueella, johon sähkötyökalu liikkuu takaiskun sattuessa. Takaisku pakottaa sähkötyökalun vastakkaiseen suuntaan hiomalaikan liikkeeseen nähden tarttumiskohdassa.

d) Työskentele erityisen varovasti kulmien, terävien reunojen jne. alueella, estä vaihtotyökalua ponnahtamasta takaisin työkappaleesta ja juuttumasta kiinni. Pyörivällä vaihtotyökalulla on taipumus juuttua kiinni kulmissa, terävissä reunoissa tai saadessaan kimmokkeen. Tämä johtaa hallinnan pettämiseen tai takaiskuun.

e) Älä käytä ketju- tai hammastettuja sahanteriä. Tällaiset vaihtotyökalut aiheuttavat usein takaiskun tai sähkötyökalun hallinnan menettämisen.

Erityiset varo-ohjeet hiontaan ja katkaisuhiontaan

a) Käytä yksinomaan sähkötyökalullesi sallittuja hiomatyökaluja ja näitä hiomatyökaluja varten tarkoitettuja suojuksia. Hiomatyökaluja, jotka eivät ole tarkoitettuja sähkötyökalun kanssa käytettäväksi ei voida suojata riittävästi ja ne ovat turvattomia.

b) Käytä aina suojusta, joka on tarkoitettu käytettävälle hiomatyökalulle. Suojuksen täytyy olla tukevasti kiinni sähkötyökalussa ja niin asennettu, että suurin mahdollinen turvallisuus saavutetaan. Hiomatyökalun tulee siis olla mahdollisimman vähän avoin käyttäjää kohti. Suojuksen tulee suojata käyttävää henkilöä murtokappaleilta ja tahattomalta hiomatyökalun koskettamiselta.

c) Hiomatyökaluja saa käyttää ainoastaan siihen käyttöön mihin niitä suositellaan. Esim.: Älä koskaan hio hiomalaikan sivupintaa käyttäen. Hiomalaikat on tarkoitettu hiontaan laikan

ulkokehällä. Sivuttain kohdistuva voima saattaa murtaa hiomalaikan.

d) Käytä aina virheetöntä, oikean kokoista ja muotoista kiinnityslaippaa valitsemallesi hiomalaikalle. Sopivat laipat tulevat hiomalaikkaa ja vähentävät näin hiomalaikan murtumisriskiä. Katkaisulaikkojen laipat saattavat poiketa muitten hiomalaikkojen laipoista.

e) Älä käytä isompiin sähkötyökaluihin kuuluneita kuluneita hiomalaikkoja. Suurempien sähkötyökalujen hiomalaikat eivät sovellu pienempien sähkötyökalujen suuremmille kierrosluvuille, ja ne voivat murtua.

Muita katkaisuhiontaan liittyviä erityisvaro-ohjeita

a) Vältä katkaisulaikan juuttumista kiinni ja liian suurta syöttöpainetta. Älä tee liian syviä leikkauksia. Katkaisulaikan ylikuormitus kasvattaa sen rasitusta ja sen alttiutta kallistua tai juuttua kiinni ja siten takaiskun ja laikan murtumisen mahdollisuutta.

b) Vältä aluetta pyörivän katkaisulaikan edessä ja takana. Jos katkaisulaikka liikkuu työkappaleessa sinusta poispäin, saattaa sähkötyökalu takaiskun sattuessa singota suoraan sinua kohti pyörivällä laikalla.

c) Jos katkaisulaikka joutuu puristukseen tai keskeytät työn, tulee sinun pysäyttää sähkötyökalu ja pitää se rauhallisesti paikoillaan, kunnes laikka on pysähtynyt. Älä koskaan koeta poistaa vielä pyörivää katkaisulaikkaa leikkauksesta, se saattaa aiheuttaa takaiskun. Määrittele ja poista puristukseen joutumisen syy.

d) Älä käynnistä sähkötyökalua uudelleen, jos laikka on kiinni työkappaleessa. Anna katkaisulaikan ensin saavuttaa täysi kierroslukunsa, ennen kuin varovasta jatkat leikkausta. Muussa tapauksessa saattaa laikka tarttua kiinni, ponnahta ulos työkappaleesta tai aiheuttaa takaiskun.

e) Tue litteät tai isot työkappaleet, katkaisulaikan puristuksen aiheuttaman takaiskuvaaran minimoimiseksi. Suuret työkappaleet voivat taipua oman painonsa takia. Työkappaleita tulee tukea molemmilta puolilta, sekä katkaisuleikkauksen vierestä, että reunoista.

f) Ole erityisen varovainen upotusleikkauksissa seinin tai muihin alueisiin, joiden taustaa tai rakennetta ei pysty näkemään. Upoava katkaisulaikka saattaa aiheuttaa takaiskun osuessaan kaasu- tai vesiputkiin, sähköjohtoihin tai muihin kohteisiin.

Erityiset varo-ohjeet hiekkapaperihiontaan

a) Älä käytä ylisuuria hiomapyöröjä, vaan noudata valmistajan ohjeita hiomapyöröjen koosta. Hiomapyöröt jotka ulottuvat hiomalautasen ulkopuolelle, saattavat aiheuttaa loukkaantumista tai johtaa kiinni juuttumiseen, hiomapyörön repeytymiseen tai takaiskuun.

Erityiset varo-ohjeet työskentelyyn teräsharjan kanssa

a) Ota huomioon, että teräsharjasta irtoaa lankoja myös normaalikäytössä. Älä ylikuormita lankoja käyttämällä liian suurta painetta työkappaleita vasten. Irti sinkoutuvat langan kappaleet voivat helposti tunkeutua ohuen vaatteen tai ihon läpi.

b) Jos suojusta suositellaan, tulee sinun varmistaa, ettei suojuks ja teräsharja voi koskettaa toisiaan. Lautas- ja kuppiharjojen halkaisijat voivat laajeta puristus-paineen ja keskipakovoiman johdosta.

Ulkokäytössä olevat pistorasiat on varustettava vikavirta-suojakytkimillä (FI, RCD PRCD) sähkölaitteistosi asennusmääräyksen mukaisesti. Muista tarkistaa, että laite liitetään ulkokäytössä ulkopistorasiaan ja neuvottele asiasta sähköasentajasi kanssa.

Lastuja tai puruja ei saa poistaa koneen käydessä.

Varmista, että kone on sammutettu ennen kytkemistä sähköverkkoon.

Älä tartu käynnistetyn laitteen työskentelyalueelle.

Käytä aina lisäkädensijaa.

Rouhehionta- ja katkaisutyössä on aina käytettävä laikan rikkomasuojusta.

Pysäytä laite välittömästi jos siinä esiintyy huomattavaa värähtelyä tai huomaat muuta puutetta. Tarkista kone vian aiheuttajan määritlemiseksi.

Käytä ja säilytä aina hiomalaikat valmistajan ohjeiden mukaan.

Metallien hionnassa syntyy kipinäntiä. Tarkista, ettei kenellekään aiheuteta vaaraa. Tulipalovaaran takia ei lähistöllä saa olla mitään palavia aineita (kipinäetäisytydellä). Pölynpoistoa ei käytetä.

Käytä konetta siten, että lastut ja kipinät lentävät itsestäsi poispiäin.

Kivenkatkaisussa on käytettävä ohjauskelkkaa.

Laippamutterin on oltava kunnolla kiristetty ennen koneen käyttöönottoa.

Työstettävä kappale on kiinnitettävä, ellei se omapainonsa vuoksi pysy paikallaan. Älä koskaan vie työkalupaltoa kädessä hiomalaikkaa vasten.

Äärimmäisen vaikeissa käyttöolosuhteissa (esim. kiilloitettaessa metalleja tukilautasella ja vulkaanikuitu-hiomalaikoilla) saattaa kulumahiomalaitteen sisäpuolelle kertyä runsaasti likaa. Tällaisissa käyttöolosuhteissa on turvallisuussyistä tarpeen puhdistaa metallikertymät laitteen sisäosista perusteellisesti ja lisäksi tulee ehdottomasti kytkeä laitteen eteen vuotovirtavaroike (FI-katkaisin). Kun FI-katkaisin on laennnut, tulee kone lähettää korjattavaksi.

Varmista sellaisissa työkaluissa, joihin on tarkoitus kiinnittää kierteisreikäinen laikka, että laikan kierre on riittävän pitkä sopimaan karan pituuteen.

Käytä katkaisuleikkauksessa lisävarusteohjelmaan kuuluvaa suljettua suojakupua.

TARKOITUKSEN MUKAINEN KÄYTTÖ

Kulmahiomakonetta voidaan käyttää monien materiaalien, kuten esim. metallin tai kiven, katkaisuleikkaukseen ja karkeaan hiontaan, sekä hiontaan muovihiomalautasta käyttäen ja työskentelyyn teräslankaharjan kanssa. Epäselvissä tapauksissa noudata lisävarusteiden valmistajien antamia ohjeita.

Älä käytä tuotetta ohjeiden vastaisesti.

TODISTUS CE-STANDARDIN MUKAISUUDESTA

Todistamme täten ja vastaamme yksin siitä, että tämä tuote on alaluettelujen standardien ja standardoimisasiakirjojen vaatimusten mukainen.

EN 60745-1:2009+A11:2010

EN 60745-2-3:2011

EN 55014-1:2006+A1:2009+A2:2011

EN 55014-2:1997+A1:2001+A2:2008

EN 61000-3-2:2006+A1:2009+A2:2009

EN 61000-3-3:2008

seuraavien sääntöjen mukaisesti

2011/65/EU (RoHS)

2006/42/EY

2004/108/EY



Winnenden, 2012-09-09

Rainer Kumpf

Director Product Development

Valtuutettu kokoamaan tekniset dokumentit.

VERKKOLIITÄNTÄ

Yhdistä ainoastaan yksivaiheiseen vaihtovirtaan, jonka verkkojännite on sama kuin tyypikkilivissä ilmoitettu. Myös liittäminen maadoittamattomiin pistorasioihin on mahdollista, sillä rakenne vastaa turvallisuusluokkaa II.

ELEKTRONIIKKA

Elektroniikkaa pitää pyörimisnopeuden kuormituksen kasvaessa vakiona.

Jos syntyy ylikuormitus, vähenee virranotto kuormituksen pienentämiseksi.

HUOLTO

Pidä moottorin ilmanottoaukot puhtaina.

Älä päästä metalliesineitä tuuletusaukkoihin - oikosulkuvaara
Käytä vain Milwaukeee:n lisälaitteita ja varaosia. Käytä ammattitaitoisten Milwaukee-huoltoasemien palveluja muiden kuin käyttöohjeissa kuvattujen osien vaihdossa. (esite takuu/huoltoilikeuettelo).

Tarpeen vaatiessa voit pyytää lähettämään laitteen kokoonpanopiirustuksen ilmoittamalla arvokilven kymmennumerosen numeron seuraavasta osoitteesta: Milwaukee Electric Tool, Max-Eyth-Straße 10, D-71364 Winnenden, Germany

SYMBOLIT



Lue käyttöohjeet huolellisesti, ennen koneen käynnistämistä.



Käytä laitteella työskennellessäsi aina suojalaseja.



Irrota aina pistotulppa seinäkoskettimesta ennen koneeseen tehtäviä toimenpiteitä.



Lisälaitte - Ei sisälly vakiovarustukseen, saatavana lisätervikkeenä.



Älä hävitä sähköjätettä tavallisen kotitalousjätteen mukana! Vanhoja sähkö- ja elektroniikkalaitteita koskevan EU-direktiivin 2002/96/ETY ja sen maakohtaisten sovellusten mukaisesti käytetyt sähköjätteenkalut on ohjattava ongelmajätteen keräyspisteeseen ja toimittava ympäristöstävälliseen kierrätykseen.



II luokan sähkötyökalu, jonka sähköiskusuojaus ei ole riippuvainen vain peruseristyksestä, vaan lisäturvatoimenpiteistä, kuten kaksinkertaisesta eristyksestä tai vahvistetusta eristyksestä.

TEKNIIKA STOIXEIA

	ΓΩΝΙΑΚΟΣ ΤΡΟΧΟΣ	AGV17-125XE	AGV17-125XE DMS
Όνομαστική ισχύς	1750 W	1750 W	1750 W
Αποδιδόμενη ισχύς	1150 W	1150 W	1150 W
Μέγιστος αριθμός στροφών χωρίς φορτίο	2600-11000 min ⁻¹	2600-11000 min ⁻¹	2600-11000 min ⁻¹
Μέγιστη ψ δίσκου λείανσης.....	125 mm	125 mm	125 mm
Σπείρωμα ατράκτου.....	M 14	M 14	M 14
Βάρος σύμφωνα με τη διαδικασία ΕΡΤΑ 01/2003	2,8 kg	2,8 kg	2,8 kg

Πληροφορίες θορύβου/δονήσεων

Τιμές μέτρησης εξακριβωμένες κατά EN 60 745.

Η σύμωνα με την καμπύλη Α εκτιμηθείσα στάθμη θρύου τυ μηχανήματος ανέρχεται σε:

Στάθμη ηχητικής πίεσης (K=3 dB(A)) 90 dB(A) 90 dB(A)
Στάθμη ηχητικής ισχύος (K=3 dB(A)) 101 dB(A) 101 dB(A)

Φοράτε προστασία ακοής (ωατοσπίδες)!

Ιλικές τιμές κραδασμών (άθρισμα ανυσμάτων τριών διευθύνσεων) εξακρίωθηκαν σύμφωνα με τ πριτυπ EN 60745.

Κόμμο και ξεχόνδρισμα: Τιμή εκπομπής δονήσεων a_w 9 m/s² 9 m/s²

Ανασάλεια K = 1,5 m/s² 1,5 m/s²

Λείανση με συνθετικό δίσκο λείανσης: Τιμή εκπομπής δονήσεων a_w 3,65 m/s² 3,65 m/s²

Ανασάλεια K = 1,5 m/s² 1,5 m/s²

Σε άλλες εφαρμογές, όπως π.χ. διαχωριστική λείανση ή λείανση με τη σφραματόβουρτσα μπορεί να προκύψουν άλλες τιμές ταλαντώσεων!

ΠΡΟΕΙΔΟΠΟΙΗΣΗ

Το αναφερόμενο σ' αυτές τις οδηγίες επίπεδο δονήσεων έχει μετρηθεί με μια τυποποιημένη σύμφωνα με το EN 60745 μέθοδο μέτρησης και μπορεί να χρησιμοποιηθεί για τη σύγκριση των ηλεκτρικών εργαλείων μεταξύ τους. Αυτό είναι επίσης κατάλληλο για μια προσωρινή εκτίμηση της επιβάρυνση των δονήσεων.

Το αναφερόμενο επίπεδο δονήσεων αντιπροσωπεύει τις κύριες χρήσεις του ηλεκτρικού εργαλείου. Εάν όμως το ηλεκτρικό χρησιμοποιείται σε άλλες χρήσεις, με διαφορετικά εργαλεία εφαρμογής ή ανεπαρκή συντήρηση, μπορεί να υπάρξει απόκλιση του επιπέδου δονήσεων. Αυτό μπορεί να αυξήσει σημαντικά την επιβάρυνση των δονήσεων για τη συνολική διάρκεια της εργασίας.

Για μια ακριβή εκτίμηση της επιβάρυνσης των δονήσεων οφείλουν επίσης να λαμβάνονται υπόψη οι χρόνοι, στους οποίους η συσκευή είναι απενεργοποιημένη ή είναι μεν ενεργοποιημένη αλλά δεν χρησιμοποιείται πραγματικά. Αυτό μπορεί να μειώσει σημαντικά την επιβάρυνση των δονήσεων για τη συνολική διάρκεια της εργασίας.

Καθορίζετε πρόσθετα μέτρα ασφαλείας για την προστασία του χειριστή από την επίδραση των δονήσεων όπως για παράδειγμα: Συντήρηση του ηλεκτρικού εργαλείου και των εργαλείων εφαρμογής, διατηρείτε ζεστά τα χέρια, οργάνωση των διαδικασιών εργασίας.

Δ ΠΡΟΕΙΔΟΠΟΙΗΣΗ! Διαβάστε όλες τις Υποδείξεις ασφαλείας και τις Οδηγίες, και αυτές στο επισυναπτόμενο φυλλάδιο. Αμέλειες κατά την τήρηση των προειδοποιητικών υποδείξεων μπορεί να προκαλέσουν ηλεκτροπληξία, κίνδυνο πυρκαγιάς ή/και σοβαρούς τραυματισμούς.

Φυλάξτε όλες τις προειδοποιητικές υποδείξεις και οδηγίες για κάθε μελλοντική χρήση.

ΕΙΔΙΚΕΣ ΥΠΟΔΕΙΞΕΙΣ ΑΣΦΑΛΕΙΑΣ

Κονές προειδοποιητικές υποδείξεις για λείανση και λείανση με σφραματόβουρτσα, για εργασίες με σφραματόβουρτσα και για εργασίες κοπή

a) Αυτό το ηλεκτρικό εργαλείο πρέπει να χρησιμοποιείται σαν λειαντήρας και λειαντήρας με σφραματόβουρτσα, για εργασίες με σφραματόβουρτσα και σαν μηχανήμα κοπής. Να λαμβάνετε πάντοτε υπόψη σας όλες τις προειδοποιητικές υποδείξεις, τις οδηγίες, τις απεικονίσεις και τα στοιχεία που σας παραδίδονται μαζί με το ηλεκτρικό εργαλείο. Η μη τήρηση των οδηγιών που ακολουθούν, μπορεί να οδηγήσει σε ηλεκτροπληξία, φωτιά και/ή σε σοβαρούς τραυματισμούς.

b) Αυτό το ηλεκτρικό εργαλείο δεν είναι κατάλληλο για γυάλισμα. Χρήσεις, οι οποίες δεν προβλέπονται για το ηλεκτρικό εργαλείο μπορούν να οδηγήσουν σε κινδύνους και να προκαλέσουν τραυματισμούς.

γ) Μη χρησιμοποιήσετε ποτέ εξαρτήματα που δεν προβλέπονται και δεν προτάθηκαν από τον κατασκευαστή ειδικά γι' αυτό το ηλεκτρικό εργαλείο. Μόνο η διαπίστωση ότι μπορείτε να στερεώσετε ένα εξάρτημα στο ηλεκτρικό εργαλείο σας δεν εγγυάται την ασφαλή χρήση του.

δ) Ο μέγιστος επιτρεπτός αριθμός στροφών του εργαλείου που χρησιμοποιείτε πρέπει να είναι τουλάχιστον τόσο υψηλός όσο ο μέγιστος αριθμός στροφών που αναφέρεται επάνω στο ηλεκτρικό εργαλείο. Εξαρτήματα που περιστρέφονται με ταχύτητα μεγαλύτερη από την επιτρεπτή μπορεί να καταστραφούν.

ε) Η εξωτερική διάμετρος και το πάχος του εργαλείου που χρησιμοποιείτε πρέπει να ανταποκρίνονται πλήρως στις αντίστοιχες διαστάσεις του ηλεκτρικού εργαλείου σας. Εργαλεία με εσφαλμένες διαστάσεις δεν μπορούν να καλυφθούν ή να ελεγχθούν ασφαλώς.

στ) Οι δίσκοι κοπής, οι φλάντζες, οι δίσκοι λείανσης ή άλλα εξαρτήματα πρέπει να ταιριάζουν ακριβώς επάνω στον άξονα του ηλεκτρικού εργαλείου σας. Εργαλεία που δεν ταιριάζουν ακριβώς

επάνω στον άξονα περιστρέφονται ανομοιόμορφα, τραντάζονται πολύ ισχυρά και μπορεί να οδηγήσουν σε απώλεια του ελέγχου του ηλεκτρικού εργαλείου.

ζ) Μη χρησιμοποιείτε χαλασμένα εργαλεία. Να ελέγχετε πάντοτε τα εργαλεία που πρόκειται να χρησιμοποιήσετε, π. χ. τους δίσκους κοπής για σπασίματα και ρωμής, τους δίσκους λείανσης για ρωμής, φθορές ή ξεφτίσματα και τις σφραματόβουρτσες για χαλαρά ή σπασμένα σύμματα. Σε περίπτωση που το ηλεκτρικό εργαλείο ή κάποιο χρησιμοποιήσιμο εργαλείο πέσει κάτω, τότε ελέγξτε το εργαλείο μήπως έχει υποστεί κάποια βλάβη ή χρησιμοποιήστε ένα άλλο, άψογο εργαλείο. Μετά τον έλεγχο και την τοποθέτηση του εργαλείου που πρόκειται να χρησιμοποιήσετε πρέπει να απομακρύνετε τυχόν παρευρισκόμενα πρόσωπα από το επίπεδο περιστροφής του εργαλείου, κι ακολουθώντας ν' αφήσετε το ηλεκτρικό εργαλείο να εργαστεί ένα λεπτό υπό το μέγιστο αριθμό στροφών χωρίς φορτίο. Τυχόν χαλασμένα εργαλεία σπάνε ως επί το πλείστον κατά τη διάρκεια αυτού του χρόνου δοκιμής.

η) Να φοράτε πάντοτε τη δική σας, ατομική προστατευτική ενδυμασία. Να χρησιμοποιείτε επίσης, ανάλογα με την εκάστοτε εργασία που εκτελείτε, προστατευτικές μάσκες, προστατευτικές διατάξεις ματιών ή προστατευτικά γυαλιά. Αν χρειαστεί, φορέστε και μάσκα προστασίας από σκόνη, ωατοσπίδες προστατευτικά γάντια ή μια ειδική προστατευτική ποδιά, που θα σας προστατεύει από τυχόν εκσφενδονιζόμενα λειαντικά σωματίδια ή θραύσματα υλικού. Τα μάτια πρέπει να προστατεύονται από τυχόν αιωρούμενα σωματίδια που μπορεί δημιουργηθούν κατά την εκτέλεση των διάφορων εργασιών. Οι αναπνευστικές και οι προστατευτικές μάσκες πρέπει να φιλτράρουν τον αέρα και να συγκρατούν τη σκόνη που δημιουργείται κατά την εργασία. Σε περίπτωση που εκτεθείτε για πολύ χρόνο σε ισχυρό θόρυβο μπορεί να απωλέσετε την ακοή σας.

ια) Φροντίζετε, τυχόν παρευρισκόμενα άτομα να βρίσκονται πάντοτε σε ασφαλή απόσταση από τον τομέα που εργάζεσθε. Κάθε άτομο που μπείνει στον τομέα που εργάζεσθε πρέπει να φορά προστατευτική ενδυμασία. Θραύσματα του υπό καταργασία τεμαχίου ή σπασμένων εργαλείων μπορεί να εκσφενδονιστούν και να προκαλέσουν τραυματισμούς ακόμη κι εκτός του άμεσου τομέα εργασίας.

ιβ) Να πιάνετε το ηλεκτρικό εργαλείο μόνο από τις προβλεπόμενες γι' αυτό το σκοπό μονωμένες επιφάνειές του, όταν εκτελείτε εργασίες στις οποίες υπάρχει κίνδυνος το εργαλείο

που χρησιμοποιείτε να συναντήσι ηλεκτροφόρους αγωγούς ή το δικό του ηλεκτρικό καλώδιο. Η επαφή μ' ένα ηλεκτροφόρο αγωγό θέτει τα μεταλλικά τμήματα του ηλεκτρικού εργαλείου επίσης υπό τάση και οδηγεί έτσι σε ηλεκτροπληξία.

iv) Να κρατάτε και να οδηγείτε το ηλεκτρικό καλώδιο σε ασφαλή απόσταση από τα περιστρεφόμενα εργαλεία. Σε περίπτωση που χάσετε τον έλεγχο του ηλεκτρικού εργαλείου το ηλεκτρικό καλώδιο μπορεί να κοπεί ή να περιπλεγεί και το χέρι σας ή το μπράτσο σας να τραβηχτεί επάνω στο περιστρεφόμενο εργαλείο.

ιδ) Μην αποθέσετε ποτέ το ηλεκτρικό εργαλείο πριν το τοποθετημένο εργαλείο πάψει εντελώς να κινείται. Το περιστρεφόμενο εργαλείο μπορεί να έρθει σε επαφή με την επιφάνεια στην οποία ακουμπήσατε το ηλεκτρικό εργαλείο κι έτσι να χάσετε τον έλεγχό του.

m) Μην αφήσετε ο ηλεκτρικό εργαλείο να εργάζεται όταν το μεταφέρετε. Τα ρούχα σας μπορεί να τυλιχτούν τυχαίως στο περιστρεφόμενο εργαλείο κι αυτό να τρυπήσει το σώμα σας.

ie) Να καθαρίζετε τακτικά τις σχισμές αερισμού του ηλεκτρικού εργαλείου σας. Η περρωπή του κινήτρηρα τραβάει σκόνη μέσα στο περιβλήμα και η συσσώρευση μεταλλικής σκόνης μπορεί να δημιουργήσει ηλεκτρικούς κινδύνους.

ιστ) Μη χρησιμοποιείτε το ηλεκτρικό εργαλείο κοντά σε εύφλεκτα υλικά. Ο σπινθηρισμός μπορεί να τα αναφλέξει.

ιζ) Μη χρησιμοποιείτε εργαλεία που απαιτούν ψύξη με ψυκτικά υγρά. Η χρήση νερού ή άλλων ψυκτικών υγρών μπορεί να οδηγήσει σε ηλεκτροπληξία.

Κλότσημα και σχετικές προειδοποιητικές υποδείξεις

Το κλότσημα είναι μια απροσδόκητη αντίδραση όταν το περιστρεφόμενο εργαλείο, π. χ. ο δίσκος κοπής, ο δίσκος λείανσης, ή συμπατόβουρτσα κτλ., προσκρούσει κάτω (σκονιάσει) ή μπλοκάρει. Το σφηνώμα ή το μπλοκάρισμα οδηγεί την απότομη διακοπή της περιστροφής του εργαλείου. Έτσι, ένα τυχόν μη υπό έλεγχο ευρισκόμενο ηλεκτρικό εργαλείο ανηδρά στο σημείο μπλοκαρίσματος/πρόσκρουσης με σφοδρότητα και περιστρέφεται με συνεχώς αυξανόμενη ταχύτητα με αντίθετη από εκείνη του εργαλείου.

Όταν π. χ., ένας δίσκος κοπής σφηνώσει ή μπλοκάρει μέσα στο υπό κατεργασία υλικό, τότε η ακμή του δίσκου που βυθίζεται μέσα στο υλικό μπορεί να στρεβλώσει και ακολούθως ο δίσκος κοπής να πεταχτεί με ορμή και ανεξέλεγκτα από το υλικό ή να προκαλέσι κλότσημα. Όταν συμβεί αυτό ο δίσκος κοπής κινείται με κατεύθυνση προς το χειριστή/τη χειρίστρια ή και αντίθετα, ανάλογα με τη φορά περιστροφής στο σημείο μπλοκαρίσματος. Σε τέτοιες περιπτώσεις δεν αποκλείεται ακόμη και το σπάσιμο των δίσκων κοπής.

Το κλότσημα είναι το αποτέλεσμα ενός εσφαλμένου ή ελλιπής χειρισμού του ηλεκτρικού εργαλείου και μπορεί να αποφευχθεί με λήψη κατάλληλων προληπτικών μέτρων, σαν αυτά που περιγράφονται παρακάτω.

α) Να κρατάτε το ηλεκτρικό εργαλείο πάντοτε καλά και να παίρνετε με το σώμα σας μόνο θέσεις, στις οποίες θα μπορούσατε να αντιμετωπίσετε επιτυχώς ένα ενδεχόμενο κλότσημα. Να χρησιμοποιείτε πάντοτε την πρόδηση λαβή, αν αυτή φυσικά υπάρχει, για να εξασφαλίσετε έτσι το μέγιστο δυνατό έλεγχο του ηλεκτρικού εργαλείου σε περίπτωση εμφάνισης ανάστροφων και αντίρροπων δυνάμεων (π. χ. κλότσημα) κατά την εκκίνηση. Ο χειριστής/η χειρίστρια μπορεί να αντιμετωπίσει με επιτυχία τα κλότσηματα και τις ανίστροφες ροπές.

β) Μη βάζετε ποτέ τα χέρια σας κοντά στα περιστρεφόμενα εργαλεία. Σε περίπτωση κλότσηματος το εργαλείο μπορεί να περάσει πάνω από το χέρι σας.

γ) Μην παίρνετε με το σώμα σας θέσεις προς τις οποίες θα κινήσει το ηλεκτρικό εργαλείο σε περίπτωση κλότσηματος. Κατά το κλότσημα το ηλεκτρικό εργαλείο κινείται ανεξέλεγκτα με κατεύθυνση αντίθετη προς τη φορά περιστροφής του δίσκου λείανσης στο σημείο μπλοκαρίσματος.

γ) Να εργάζεσθε με ιδιαίτερη προσοχή σε γωνίες, κοφτερές ακμές κτλ. Φροντίζετε, το λειαντικό εργαλείο να μην ανανιχαχτεί έξω από το υπό κατεργασία υλικό και να μη σφηνώσει σ' αυτό. Το περιστρεφόμενο λειαντικό εργαλείο σφηνώνει εύκολα κατά την εργασία σε γωνίες και σε κοφτερές ακμές ή όταν εκτινάχεται. Αυτό προκαλεί κλότσημα ή απώλεια του ελέγχου.

δ) Μη χρησιμοποιείτε τασπραζύμους ή οδοντωτές πριονόλαμες. Τα εργαλεία αυτά προκαλούν συχνά κλότσημα ή οδηγούν σε απώλεια του ελέγχου του ηλεκτρικού εργαλείου.

Ιδιαίτερες προειδοποιητικές υποδείξεις για λείανση και κοπή

α) Να χρησιμοποιείτε αποκλειστικά λειαντικά σώματα που είναι κατάλληλα για το ηλεκτρικό εργαλείο σας και μόνο προφυλακτήρες που προβλέπονται για υ' αυτά τα λειαντικά σώματα. Λειαντικά σώματα που δεν προβλέπονται για το ηλεκτρικό εργαλείο δεν μπορούν να καλυφτούν επαρκώς και γ' αυτό είναι ανασφαλή.

β) Να χρησιμοποιείτε πάντοτε τον προφυλακτήρα που προβλέπεται για τον τύπο του εκάστοτε λειαντικού σώματος. Ο προφυλακτήρας πρέπει να είναι ασφαλώς στερεωμένος στο ηλεκτρικό εργαλείο και να είναι ρυθμισμένος κατά τέτοιο τρόπο, ώστε έτσι να επιτυγχάνεται η μέγιστη δυνατή ασφάλεια, δηλαδή το τμήμα του λειαντικού εργαλείου που δείχνει προς το χειριστή/τη χειρίστρια να είναι όσο το δυνατό πιο μικρό. Ο προφυλακτήρας προστατεύει το χειριστή/τη χειρίστρια από τυχόν θραύσματα και αβλήτη επαφή με το λειαντικό σόμα.

γ) Τα λειαντικά σώματα πρέπει να χρησιμοποιούνται μόνο για τις εργασίες που αυτά προβλέπονται. >Π. χ.: Μην λειάνετε ποτέ με την πλευρική επιφάνεια ενός δίσκου κοπής. Οι δίσκοι κοπής προορίζονται για αφαίρεση υλικού μόνο με την ακμή τους. Αυτό τα λειαντικά σώματα μπορεί να σπάσουν όταν υποστούν πίεση από τα πλάγια.

δ) Να χρησιμοποιείτε πάντοτε άψογες φλάντζες σύσφιξης με το σωστό μέγεθος και τη σωστή μορφή, ανάλογα με το δίσκο λείανσης που επιλέξατε. Οι κατάλληλες φλάντζες στηρίζουν το δίσκο λείανσης και μειώνουν έτσι τον κίνδυνο του σπασίματος των. Οι φλάντζες για δίσκους κοπής μπορεί να διαφέρουν από τις φλάντζες για άλλους δίσκους λείανσης.

ε) Να μη χρησιμοποιείτε μεταχειρισμένους δίσκους λείανσης από μεγαλύτερα ηλεκτρικά εργαλεία. Δίσκοι λείανσης για μεγαλύτερα λειαντικά εργαλεία δεν είναι κατάλληλοι για τους υψηλότερους αριθμούς στροφών των μικρότερων ηλεκτρικών εργαλείων και γ'ι' αυτό μπορεί να σπάσουν.

Συμπληρωματικές προειδοποιητικές υποδείξεις για δίσκους κοπής

α) Να αποφεύγετε το μπλοκάρισμα των δίσκων κοπής καιή την άσκηση πολύ υψηλής πίεσης. Να μη διεξάγετε τομές υπερβολικού βάθους. Η υπερβολική επιβάρυνση του δίσκου κοπής αυξάνει τη μηχανική παραμόρφωσή του και τον κίνδυνο στρεβλώσης κ' έτσι και τις πιθανότητες κλότσηματος ή σπασίματος του λειαντικού σώματος.

β) Να αποφεύγετε την περιοχή μπροστά και πίσω από τον περιστρεφόμενο δίσκο κοπής. Όταν στρώχνετε το δίσκο κοπής μέσα στο υπό κατεργασία τεμάχιο τότε, σε περίπτωση κλότσηματος, το ηλεκτρικό εργαλείο με τον περιστρεφόμενο δίσκο μπορεί να εκσφενδονιστεί κατευθάνω επάνω σας.

γ) Όταν ο δίσκος κοπής μπλοκάρει ή όταν διακόπτετε την εργασία σας πρέπει να θέσετε το ηλεκτρικό εργαλείο εκτός λειτουργίας και ακολούθως να το κρατάτε ήρεμα μέχρι ο δίσκος κοπής να σταματήσει εντελώς να κινείται. Μην προσπαθήσετε ποτέ να βγάλετε το δίσκο κοπής από το υλικό όταν αυτό κινείται ακόμη, διαφορετικά υπάρχει κίνδυνος κλότσηματος. Εξακριβώστε κι εξουδετερώστε την απία του μπλοκαρίσματος.

δ) Μη θέσατε το ηλεκτρικό εργαλείο πάλι σε λειτουργία όσο ο δίσκος κοπής βρίσκεται ακόμη μέσα στο υπό κατεργασία τεμάχιο. Αφήστε το δίσκο κοπής να αποκτήσει το μέγιστο αριθμό στροφων πριν συνεχίσετε προσεκτικά την κοπή. Διαφορετικά ο δίσκος μπορεί να σφηνώσει, να πεταχτεί με ορμή έξω από το υπό κατεργασία υλικό ή να προκαλέσι κλότσημα.

ε) Πλάκες, ή άλλα μεγάλα υπό κατεργασία τεμάχια, πρέπει να υποστηρίζονται για να ελαττωθεί ο κίνδυνος κλότσηματος από έναν τυχόν μπλοκαρισμένο δίσκο κοπής. Μεγάλα υπό κατεργασία τεμάχια μπορεί να λυγίσουν κάτω από το ίδιο τους το βάρος. Το υπό κατεργασία τεμάχιο πρέπει να υποστηριχτεί και στις δυο πλευρές του, και κοντά στην τομή κοπής και στην ακμή του.

στ) Να είστε ιδιαίτερα προσεκτικοί/προσεκτικές όταν διεξάγετε «κοπές βυθίσματος» σε τοίχους ή άλλους μη επιτοπίσιμους τομείς. Ο βυθίζομενος δίσκος κοπής μπορεί να κόψει σκληρές φυλαερίου (γκάζου) ή νερού, ηλεκτρικές γραμμές ή αντικείμενα που μπορεί να προκαλέσουν κλότσημα.

Ιδιαίτερες προειδοποιητικές υποδείξεις για εργασίες λείανσης με σμυριδόχαρτο

α) Μη χρησιμοποιείτε υπερμεγέθη σμυριδοφύλλα αλλά ηηρείτε τις συστάσεις του κατασκευαστή για το μέγεθος των σμυριδοφύλλων. Σμυριδοφύλλα που προεξέχουν από το δίσκο λείανσης μπορεί να προκαλέσουν τραυματισμούς, να οδηγήσουν σε μπλοκάρισμα, να σχιστούν ή να προκαλέσουν κλότσημα.

Ιδιαίτερες προειδοποιητικές υποδείξεις για εργασίες με συμπατόβουρτσες

Α) Να λαμβάνετε πάντοτε υπόψη σας ότι οι συμπατόβουρτσες χάνουν σύρματα κατά τη διάρκεια της κανονικής τους χρήσης. Να μην ασκείτε υπερβολική πίεση για να μην επιβαρύνονται υπερβολικά τα σύρματα. Τυχόν εκσφενδονιζόμενα τεμάχια συμπατών μπορεί να διατρυπήσουν όχι μόνο λεπτά ρούχα αλλά και/ή το δέρμα σας.

β) Όταν προτείνεται η χρήση προφυλακτήρα πρέπει να φροντίσετε, τα σύρματα της βούρτσας να μην εγγίζουν τον προφυλακτήρα. Η διάμετρος των δισκοειδών και των ποτρωοιδών βουρτσών μπορεί να μεγαλώσει εξαιτίας της ασκούμενης πίεσης και της ανάπτυξης κεντρόφυγων δυνάμεων.

Οι πρίζες στους εξωτερικούς χώρους πρέπει να είναι εξοπλισμένες με μικροαυτάματος διακόπτες προστασίας (FI, RCD, PRCD). Αυτό απαιτεί ο σχετικός κανονισμός από την ηλεκτρική σας εγκατάσταση. Προσέξτε παρακαλώ αυτό το σημείο κατά τη χρήση της συσκευής μας.

Τα υρξόνα ή τα σκλήθρες δεν επιτρέπεται να απομακρύνονται με κινούμενη τη μηχανή.

Συνδέστε τη μηχανή στην πρίζα μόνο, εφόσον βρίσκεται απενεργοποιημένη.

Μην απλώνετε τα χέρια σας στην επικίνδυνη περιοχή της κινούμενης μηχανής.

Χρησιμοποιείτε πάντοτε την πρόσθετη χειρολαβή.

Κατά το ξεχονδρίσμα και το κόψιμο να εργάζεστε πάντοτε με το κάλυμμα προστασίας.

Θέστε τη συσκευή αμέσως εκτός λειτουργίας, όταν παρουσιαστούν σημαντικοί κραδασμοί ή διαπιστωθούν άλλα ελαττώματα. Ελέγξτε τη μηχανή, για να διαπιστώσετε την αιτία.

Χρησιμοποιείτε και φυλάγετε τους δίσκους λείανσης πάντοτε σύμφωνα με τα στοιχεία του κατασκευαστή.

Κατά την λείανση/τρόχιμα των μετάλλων δημιουργούνται σπινθήρες. Προσέχετε, να μην θεθεί σε κίνδυνο κανένα άτομο. Λόγω του κινδύνου πυρκαγιάς δεν επιτρέπεται να βρίσκονται κοντά εύφλεκτα υλικά (περιοχή εκτόξευσης των σπινθήρων). Μη χρησιμοποιείτε καμία διάταξη αναρρόφηση σκόνης.

Κρατάτε τη συσκευή πάντοτε έτσι, ώστε οι σπινθήρες ή τα ριπίσματα τροχίσματος να απομακρύνονται από το σώμα σας.

Οι το κόψιμο πέτρας είναι υποχρεωτική η χρήση του πέλματος οδηγίσης.

Το φλάντζωτό παξιμάδι πρέπει να έχει σφικτεί πριν τη θέση σε λειτουργία της μηχανής.

Το προς επεξεργασία κομμάτι πρέπει να σφικτεί καλά, όταν δεν μπορεί να κρατηθεί με το ίδιο του το βάρος. Μην κρατάτε ποτέ το επεξεργαζόμενο κομμάτι με το χέρι ενάντια στο δίσκο.

Σε ακραίες συνθήκες χρήσης (π. χ. ξεχόνδρισμα μετάλλων με τον ελαστικό δίσκο και τα λειαντικά φίμπερ) μπορεί να αναπτυχθεί πολύ βρομιά στο εσωτερικό του γωνιακού τροχού. Σε τέτοιες συνθήκες χρήσης απαιτείται για λόγους ασφαλείας ένας επιμελής καθαρισμός στο εσωτερικό από τις εναποθέσεις μετάλλου και οπωσδήποτε τη συνδεση σ' ένα διακόπτη προστασίας σφάλματος γείωσης (GFCI). Μετά από μια ενεργοποίηση του διακόπτη προστασίας σφάλματος γείωσης (GFCI) πρέπει το εργαλείο να αποσταλεί για επίσκεψη.

Για εργαλεία στα οποία προσαρμίζονται τροχός με σπειρωτή σπή, βεβαιωθείτε ότι το σπειρώμα στον τροχό έχει αρκετό μήκος ώστε να ανταποκρίνεται στο μήκος του άξονα.

Για εργασίες κοπής χρησιμοποιείτε κλειστό προφυλακτήρα από το πρόγραμμα παραγωγής εξαρτημάτων.

ΧΡΗΣΗ ΣΥΜΦΩΝΑ ΜΕ ΤΟ ΣΚΟΠΟ ΠΡΟΟΡΙΣΜΟΥ

Ο γωνιακός τροχός μπορεί να χρησιμοποιηθεί για το κόψιμο και το ξεχονδρίσμα πολλών υλικών, όπως π. χ. μέταλλο ή πέτρα, καθώς επίσης για τη λείανση με συνθετικό δίσκο λείανσης και για εργασίες με βούρτσα από ασπάλδουρμα. Σε περίπτωση αμφιβολιών προσέξτε τις υποδείξεις του κατασκευαστή των πρόσθετων εξαρτημάτων.

Αυτή η συσκευή επιτρέπεται να χρησιμοποιηθεί μόνο σύμφωνα με τον αναφερόμενο σκοπό προορισμού.

ΔΗΛΩΣΗ ΠΙΣΤΟΤΗΤΑΣ ΕΚ

Δηλώνουμε με αποκλειστική μας ευθύνη, ότι αυτό το προϊόν ανταποκρίνεται στα ακόλουθα πρότυπα ή έγγραφα τυποποίησης.
EN 60745-1:2009+A11:2010
EN 60745-2-3:2011
EN 55014-1:2006+A1:2009+A2:2011
EN 55014-2:1997+A1:2001+A2:2008

EN 61000-3-2:2006+A1:2009+A2:2009
EN 61000-3-3:2008
σύμφωνα με τις διατάξεις των οδηγιών 2011/65/EU (RoHS)
2006/42/EK
2004/108/EK



Winnenden, 2012-09-09

Rainer Kumpf

Rainer Kumpf
Director Product Development

Εξουσιοδοτημένος να συντάξει τον τεχνικό φάκελο.

ΣΥΝΔΕΣΗ ΣΤΟ ΗΛΕΚΤΡΙΚΟ ΔΙΚΤΥΟ

Συνδέστε μόνο σε μονοφασικό εναλλασσόμενο ρεύμα και μόνο σε τάση δικτύου όπως αναφέρεται στην πινακίδα τεχνικών χαρακτηριστικών. Η σύνδεση είναι επίσης εφικτή σε πρίζες χωρίς προστασία επαφής, διότι υπάρχει μια δομή της κατηγορίας προστασίας II.

ΗΛΕΚΤΡΟΝΙΚΗ ΡΥΘΜΙΣΗ

Το ηλεκτρονικό σύστημα διατηρεί σταθερό τον αριθμό στοφών όταν αυξάνεται το φορτίο.

Σε περίπτωση υπερφόρτωσης μειώνεται η κατανάλωση ρεύματος μέχρι να μειωθεί και το φορτίο.

ΣΥΝΤΗΡΗΣΗ

Διατηρείτε πάντοτε τις σχισμές εξαερισμού στη μηχανή καθαρές.

Λόγω του κινδύνου βραχυκυκλώματος δεν επιτρέπεται να φθάνουν μεταλλικά αντικείμενα στις σχισμές εξαερισμού.

Χρησιμοποιείτε μόνο εξαρτήματα και ανταλλακτικά της Milwaukee. Αναθέστε την αλλαγή των εξαρτημάτων, των οποίων η αντικατάσταση δεν έχει περιγραφεί, σ' ένα κέντρο σέρβις της Milwaukee (προσέξτε το εγχειρίδιο Εγγύηση/Διευθύνσεις εξυπηρέτησης πελατών).

Όταν χρειάζεσται, μπορείτε να ζητήσετε ένα σχέδιο συναρμολόγησης της συσκευής, δίνοντας τον τύπο της μηχανής και το δεκαψήφιο αριθμό στην πινακίδα ισχύος, από το κέντρο σέρβις ή απευθείας από τη φίρμα Milwaukee Electric Tool, Max-Eyth-Sträe 10, D-71364 Winnenden, Germany

ΣΥΜΒΟΛΑ



Παρακαλώ διαβάστε σχολαστικά τις οδηγίες χρήσης πριν από την έναρξη λειτουργίας.



Στις εργασίες με τη μηχανή φοράτε πάντοτε προστατευτικά γυαλιά.



Πριν από κάθε εργασία στη μηχανή τραβάτε το φics από την πρίζα.



Εξαρτήματα - Δεν περιλαμβάνονται στα υλικά παράδοσης, συνιστούμενη προσθήκη από το πρόγραμμα εξαρτημάτων.



Μην πετάτε τα ηλεκτρικά εργαλεία στον κάδο οικιακών απορριμμάτων! Σύμφωνα με την ευρωπαϊκή οδηγία 2002/96/ΕΚ περί ηλεκτρικών και ηλεκτρονικών συσκευών και την ενσωμάτωσή της στο εθνικό δίκαιο, τα ηλεκτρικά εργαλεία πρέπει να συλλέγονται ξεχωριστά και να πιστρέφονται για ανακύκλωση με τρόπο φιλικό προς το περιβάλλον.



Κατηγορία προστασίας II, ηλεκτρικό εργαλείο, στο οποίο η προστασία έναντι ηλεκτροπληξίας δεν εξαρτάται μόνο από τη λειοκή μόνωση, αλλά από την εφαρμογή πρόσθετων προστατευτικών μέτρων όπως διπλή μόνωση ή ενισχυμένη μόνωση.

TEKNİK VERİLER	Açı tařlama aleti	AGV17-125XE	AGV17-125XE DMS
Giriř gücü	1750 W	1750 W	1750 W
Çıkıř gücü	1150 W	1150 W	1150 W
Bořtaki devir sayısı.....	2600-11000 min ⁻¹	2600-11000 min ⁻¹	2600-11000 min ⁻¹
tařlama diski çapı	125 mm.....	125 mm	125 mm
Mil diři	M 14	M 14	M 14
Ağırlığı ise EPTA-üretici 01/2003'e göre.....	2,8 kg.....	2,8 kg	2,8 kg

Gürültü/Vibrasyon bilgileri

Ölçüm değerleri EN 60 745 e göre belirlenmektedir.

Aletin, frekansa bağımlı uluslararası ses basıncı seviyesi değerlendirmede eğriři A'ya göre tipik gürültü seviyesi:

Ses basıncı seviyesi (K=3 dB(A))	90 dB(A)	90 dB(A)
Akustik kapasite seviyesi (K=3 dB(A))	101 dB(A)	101 dB(A)

Koruyucu kulaklık kullanımı

Toplam titreřim değeri (üç yönün vektör toplamı) EN 60745'e göre belirlenmektedir:

Ayrırma ve kaba tařlama:Esname emisyon değeri a _q	9 m/s ²	9 m/s ²
Tolerans K =	1,5 m/s ²	1,5 m/s ²
Plastik tařlama tabađı ile tařlama: Esname emisyon değeri a _p	3,65 m/s ²	3,65 m/s ²
Tolerans K =	1,5 m/s ²	1,5 m/s ²

Diđer uygulamalarda, örneđin çelik tel fırça ile ayırarak tařlama veya tařlama işleminde başka vibrasyon değerleri ortaya çıkabilir!

UYARI

Bu talimatlarda belirtilen titreřim seviyesi, EN 60745 standardına uygun bir ölçme metodu ile ölçülmüřtür ve elektrikli el aletleri birbiriyle karřılařtırmak için kullanılabilir. Ölçüm sonuçları ayrıca titreřim yükünün geçici değerlendirmesi için de uygundur.

Belirtilen titreřim seviyesi, elektrikli el aletinin genel uygulamaları için geçerlidir. Ancak elektrikli el aleti başka uygulamalar için, farklı eklenti parçalarıyla ya da yetersiz bakım kořullarında kullanılırsa, titreřim seviyesi farklılık gösterebilir. Bu durumda, titreřim yükü toplam çalıřma zaman aralıđı içerisinde belirgin ölçüde yükselir.

Titreřim yükünün tam bir değerlendirmesi için ayrıca cihazın kapalı olduđu süreler ve cihazın çalıřır durumda olduđu, ancak gerçek kullanımda bulunmadığı süreler de dikkate alınmalıdır. Böylelikle, toplam çalıřma zamanı aralıđı boyunca meydana gelen titreřim yükü belirgin ölçüde azaltılabilir.

Kullanıcıyı titreřimlerin etkisinden korumak üzere, örneđin elektrikli el aletlerinin ve eklenti parçalarının bakımı, ellerin sıcak tutulması ve iş akıřlarının organizasyonu gibi ek güvenlik tedbirleri belirleyiniz.

UYARI! Güvenlikle ilgili bütün açıklamaları, talimatları ve iliřketki brořurde yazılı bulunan hususları okuyunuz.

Açıklanan uyarılara ve talimat hükümlerine uyulmadığı takdirde elektrik çarpmalarına, yangınlara ve/veya ağır yaralanmalara neden olabilir.

Bütün uyarıları ve talimat hükümlerini ileride kullanmak üzere saklayın.

GÜVENLİĞİNİZ İÇİN TALİMATLAR

Tařlama, kumlu zımpara kađıdı ile zımparalama, tel fırça ile tařlama ve kesici tařlama işleri için müřterek uyarılar:

a) Bu elektrikli el aleti tařlama, kumlu zımpara kađıdı ile zımparalama kesici tařlama olarak kullanılmak üzere geliřtirilmiřtir. Elektrikli el aleti ile birlikte teslim edilen bütün uyarılara, talimata, şekillere ve verilere uyun hareket edin. Ařađıdaki talimat hükümlerine uymadığınız takdirde elektrik çarpması, yangın veya ağır yaralanma tehlikesi ile karřılařabilirsiniz.

b) Bu elektrikli el aleti polisaj yapmaya uygun deđildir.

Elektrikli alet için öngörülmemen kullanılmaları risklere ve yaralanmalara sebebiyet verebilir.

c) Üretici tarafından özel olarak bu alet öngörülmemen ve tavsiye edilmeyen aksesuar kullanmayın. Bir aksesuar elektrikli el aletinize takılıyorsa olmanız güvenli kullanımını garanti etmez.

d) Kullanılan ucun müsaade edilen devir sayısı en azından elektrikli el aletinin tip etiketinde belirtilen devir sayısı kadar olmalıdır. Müsaade edilen hızla dönen aksesuar kırılabilir ve etrafa yayılabilir.

e) Kullanılan ucun dış çapı ve kalınlığı elektrikli el aletinizin ölçülerine uymaldır. Ölçüsü uygun olmayan uçlar yeterli derecede kapatılamaz veya kontrol edilemez.

f) Tařlama diskleri, flanřlar, zımpara tablaları veya diđer aksesuar elektrikli el aletinizin tařlama miline tam olarak uymalıdır. Elektrikli el aletinizin tařlama miline tam olarak uymayan uçlar düzensiz döner, aşırı titreřim yapar ve aletinin kontrolünün kaybedilmesine neden olabilir.

g) Hasarlı uçları kullanmayın. Her kullanımdan önce tařlama disklerinde çatlak ve çizik olup olmadığını, zımpara tablalarında çizik ve aşınma olup olmadığını, tel fırçalarda gevşeme veya kırık teller olup olmadığını kontrol edin. Elektrikli el aleti veya uç yere düşecek olursa hasar görüp görmediklerini kontrol edin, gerekiyorsa hasar görmemiş başka bir uç kullanın. Kullanacağınız ucun kontrol edip taktıktan sonra ucun dönmeye alanı yakınında bulunan kişileri uzaklařtırın ve elektrikli el aletini bir dakika en yüksek devir sayısında çalıřtırın. Hasarlı uçlar çođu zaman bu test süresinde kırılır.

h) Kişisel koruyucu donanım kullanın. Yaptığınız işe göre tam yüz siperliđi, göz koruma donanımı veya koruyucu gözlük kullanın. Eğer uygunsa küçük tařlama ve malzeme parçacıklarına karřı koruma sađlayan toz maskesi, koruyucu kulaklık, koruyucu iş eldivenleri veya özel iş önlüđü kullanın. Gözler çeřitli uygulamalarda etrafa savrulan parçacıklardan korunmalıdır. Toz veya soluma maskesi çalıřma sırasında ortaya çıkan tozları filtre eder. Uzun süre yüksek gürültü altında çalıřırsanız işitme kaybına uğrayabilirsiniz.

i) Bařkarının çalıřtığınız yerden güvenli uzaklıkla olmasına dikkat edin. Çalıřma alanınıza girmek zorunda olan herkes koruyucu donanım kullanmalıdır. İş parçasının veya ucun kırılması sonucu ortaya çıkan parçacıklar etrafa savrulurarak çalıřma alanınızın dışındaki kişileri de yaralayabilir.

j) Çalıřırken alet ucunun görünmeyen elektrik akımı ileten kabloları veya aletin kendi sebeke kablosuna temas etmeye olasılığı varsa elektrikli el aletini sadece izolasyonlu tutamađından tutun. Elektrik gerilimi ileten kablolarla temasa gelinince elektrikli el aletinin metal parçaları da elektrik gerilimine maruz kalır ve elektrik çarpmasına neden olunur.

k) Şebeke bađlantı kablosunu dönen uçlardan uzak tutun. Elektrikli el aletinin kontrolünü kaybederseniz, şebeke bađlantı kablosu ayrılabılır veya uç tarafından tutulabilir ve el veya kollarınız dönmekte olan uca temas edebilir.

l) Uç tam olarak durmadan elektrikli el aletini elinizden bırakmayın. Dönmekte olan uç aleti bırakacađız yüzeye temas edebilir ve elektrikli el aletinin kontrolünü kaybedebilirsiniz.

m) Elektrikli el aletini çalıřır durumda tařmayın. Giysileriniz rastlantı sonucu dönmekte olan uç tarafından tutulabilir ve uç bedeninize temas edebilir.

n) Elektrikli el aletinizin havalandırma deliklerini düzenli olarak temizleyin. Motor fanı tozu gövdeye çeker ve metal tozunun aşırı birikimi elektrik çarpması tehlikesini ortaya çıkarır.

o) Elektrikli el aletini yanıcı malzemenin yakınında kullanmayın. Kıvılcımlar bu malzemeyi tutuřturabilir.

p) Sıvı sođutucu madde gerektiren uçları kullanmayın. Suyun veya diđer sıvı sođutucu maddenin kullanımı elektrik çarpmasına neden olabilir.

Geri tepme ve buna ait uyarılar

Geri tepme, dönmekte olan tařlama diski, zımpara tablası, tel fırça ve benzeri uçların takılması veya bloke olması sonucu ortaya çıkan ani tepkidir. Takılması ve blokaj dönmekte olan ucun ani olarak durmasına neden olur. Bu gibi durumlarda elektrikli el aleti blokaj yerinden ucun dönmeye yönünün tersine doğru savrulur.

Örneđin bir tařlama diski iş parçası içinde takılır veya bloke olursa, tařlama diskinin içine giren kenarı tutulur ve disk kırılır veya geri tepme kuvvetinin ortaya çıkmasına neden olur. Bu durumda tařlama diski blokaj yerinden, diskin dönmeye yönüne bađlı olarak kullanıcıya doğru veya kullanıcının tersine hareket eder. Bu gibi durumlarda tařlama disklerinin kırılması olasılığı da vardır.

Geri tepme kuvveti elektrikli el aletinin yanlış veya hatalı kullanımı sonucu ortaya çıkar. Geri tepme kuvvetleri ařađıda açıklanan koruyucu önlemlerle önlenir.

a) Elektrikli el aletini sıkıca tutun ve bedeniniz ile ellerinizi geri tepme kuvvetlerini rahatça karřılayabilecek duruma getirin. Alet hızlanırken ortaya çıkabilecek geri tepme kuvvetlerini veya reaksiyon momentlerini optimal ölçüde karřılayabilmek için eđer varsa her zaman ek tutamađı kullanın. Kullanıcı uygun önlemler alarak geri tepme ve reaksiyon kuvvetlerine hakim olabilir.

b) Elinizi hiçbir zaman dönen ucun yakınına getirmeyin. Uç geri tepme sırasında elinize doğru hareket edebilir.

c) Bedeninizi geri tepme sırasında elektrikli el aletinin hareket edebileceđi alandan uzak tutun. Geri tepme kuvveti elektrikli el aletini blokaj yerinden tařlama diskinin dönmeye yönünün tersine doğru iter.

d) Özellikle köşeleri, keskin kenarları ve benzerlerini işlerken dikkatli olun. Ucun iş parçasından dışarı çıkmasını ve takılıp sıkışmasını önleyin. Dönmekte olan uç köşelerde, keskin kenarlarda çalıřırken sıkışmaya eğilimlidir. Bu ise kontrol kaybına veya geri tepmeye neden olur.

e) Zincir veya diřli testere bıçađı kullanmayın. Bu gibi uçlar sık sık geri tepme kuvvetine veya elektrikli el aletinin kontrolünün kaybedilmesine neden olur.

Tařlama ve kesici tařlama için özel uyarılar

a) Sadece elektrikli el aletinin için müsaade edilen tařlama uçlarını ve bu uçlar için öngörülen koruyucu kapađı kullanın. Bu elektrikli el aleti için öngörülmemen tařlama uçları yeterli ölçüde kapatılmazlar ve güvenli deđildirler.

b) Daima tařlama ucunun türüne uygun koruyucu kapak kullanın. Koruyucu kapak elektrikli el aletine güvenli biçimde takılması olmalı ve en yüksek güvenliği sađlayacak biçimde ayarlanmıř olmalıdır. Tařlama ucunun mümkün olan en küçük kısmı açıkta kalmalı ve kullanıcıyı göstermelidir. Koruyucu kapađın işlevi kullanıcıyı kırılan parçacıklardan ve tařlama ucu ile tesadüfi temastan korumaktır.

c) Tařlama uçları sadece tavsiye edilen uygulamalarda kullanılabilir. Örneđin: Bir kesme diskinin kenarı ile hiçbir zaman tařlama yapmayın. Kesici tařlama diskleri uçları ile malzeme kazıma için geliřtirilmiřtir. Bu uçlara yandan baskı uygulandıđında kırılabilirler.

d) Seçtiğiniz tařlama diski için daima hasar görmemiş doğru büyüklük ve biçimde germe flanř kullanın. Uygun flanřlar tařlama disklerini destekler ve kırılma tehlikesini önlerler. Kesici tařlama diskleri için öngörülen flanřlar diđer uçlara ait flanřlardan farklı olabilir.

e) Büyük elektrikli el aletlerini ait yıpranmıř tařlama disklerini kullanmayın. Büyük elektrikli el aletlerinde kullanılan tařlama diskleri yüksek devirli küçük el aletlerinde kullanılmaya elverişli deđildirler ve kırılabilirler.

Kesici tařlama için diđer özel uyarılar

a) Kesici tařlama diskinin bloke olmasını sađlayın veya bu diske yüksek bastırma kuvveti uygulamayın. Aşırı derinlikte kesme yapmayın. Kesici tařlama ucuna aşırı yüklenme açıldırması yapılmasına veya blokaja neden olabilir ve bunun sonunda da geri tepme kuvveti oluşabilir veya tařlama ucu kırılabilir.

b) Dönmekte olan kesici tařlama diskinin ön ve arka alanına yaklařmayın. Kesici tařlama diskini iş parçasından dışarı çıkarırsanız bir geri tepme kuvveti oluştuđunda dönen disk size doğru savrulabilir.

c) Kesici tařlama diski sıkışacak olursa veya siz işe ara verirsiniz elektrikli el aletini kapatın ve disk tam olarak duruncaya kadar aleti sakın biçimde tutun. Dönmekte olan kesici tařlama diskini hiçbir zaman kesme yerinden çıkarmayı denemeyin, aksi takdirde geri tepme kuvveti oluşabilir. Sıkışmanın nedenini tespit edin ve giderin.

d) Elektrikli el aleti iş parçası içinde bulunduđu sürece onu tekrar çalıřtırmayın. Kesme işine dikkatli biçimde devam etmeden önce kesme diskinin en yüksek devire ulaşmasını bekleyin. Aksi takdirde disk takılabilir, iş parçasından çıkabilir veya bir geri tepme kuvveti oluşabilir.

e) Kesici tařlama diskinin sıkışması sonucu oluşabilecek geri tepme kuvvetlerini önlemek için büyük ölçüde devam parçalarını destekleyin. Büyük iş parçaları kendi ağırlıkları ile bükülebilir. Büyük iş parçaları iki yandan desteklenmelidir, hem kesme hattının yakınından hem de kenardan.

f) Duvarlar veya diđer görülmeyen alanların olduđu yerlerde özellikle "cep kesmelerinde" dikkatli olun. Malzeme içine dalan kesici tařlama diskleri kesme işlemi sırasında gaz veya su borularına, elektrik kablolarına veya diđer nesnelere rastlayarak geri tepme kuvveti oluşturabilirler.

Zımpara kađıtları ile çalıřmaya ait özel uyarılar

a) Boyutları yüksek zımpara kađıtlarını kullanmayın, zımpara kađıtları için üreticinin verilerine uyun. Zımpara tablasından dışarı çıkıntı yapan zımpara kađıtları yaralanmalara neden olabilirler, blokaja neden olabilirler, yırtılabilirler veya geri tepme kuvvetlerinin oluşmasına neden olabilirler.

Tel fırça ile çalıřmaya ait özel uyarılar

a) Tel fırçanın normal kullanım kořullarında da tellerini kaybettirici dikkate alın. Fazla bastırma kuvveti uygulayarak telleri zorlamayın. Kopan ve fırlayan tel parçaları rahatlıkla giysi veya derinizden içeri girer.

b) Koruyucu kapak kullanırken koruyucu kapakla tel fırçanın birbirine temas etmesini önleyin. Tabla veya çanak biçimli fırçalar bastırma ve merkezkaç kuvvetleri nedeniyle çaplarını büyütebilir.

Açık havadaki prizler hatalı akım koruma şalteri (FI, RCD, PRCD) ile donatılmıř olmalıdır. Bu, elektrik tesisatınızda bir zorunluluktur. Lütfen aletimizi kullanırken bu hususa dikkat edin.

Alet çalıřır durumda iken talaş ve kırıntıları temizlemeye çalıřmayın.

Aleti sadece kapalı iken prize takın.

Aletinin tehlikeli olabilecek bölümlerini tutmayın.

Daima ilave sapı kullanın.

Kazıma ve kesme işleri sırasında daima koruyucu kapađı kullanın. Hissedilir ölçüde titreřim oluşmaya başlarsa veya normal olmayan başka aksaklıklar ortaya çıkarsa aleti hemen kapatın. Bu aksaklıkların nedenini belirlemek için aleti kontrol edin.

Tařlama disklerini daima üreticinin talimatına uygun olarak kullanın ve saklayın.

Tařlama işlemi sırasında ortaya çıkan kıvılcıklara dikkat edin, yanıcı malzemeler tutuşabilir.

Aleti daima, kıvılcımlar veya tařlama tozu bedeninizden uzaklařacak biçimde tutun.

Taşları keserken kılavuz kızıađın kullanılması zorunludur.

Flanřlı somunu aleti işleme almadan önce iyice sıkın.

Kendi ağırlığı ile güvenli biçimde durmuyorsa iş parçasının uygun bir tertibatla sıkıca tespit edilmesi gerekir. İş parçasını hiçbir zaman elinizle diske doğru tutmayın.

Aşırı kullanım koşullarında (örneğin destek levhali metallerin ve volkan ateşli taşlama levhalarının düz olarak taşlanması) açığı taşlamasının iç kısmında kuvvetli bir kirlenme oluşabilir. Böyle kullanım koşullarında güvenlik sebeplerinden dolayı iç bölüm metal çöküntülerinden esaslı bir şekilde temizlenmeli ve hatalı elektrik akımı (FI) koruyucu şalterin zorunlu olarak deneme devresine sokulması gerekir. FI koruyucu şalteri okutturulduktan sonra makinenin tamir edilmek üzere gönderilmesi gerekir.

Klavuz delikli teker takılacak olan aletlerde, tekerdeki klavuzun mil uzunluğunu kabul edecek kadar uzun olmasına dikkat edin.

Ayrıca işleri için aksam programından kapalı koruma şapkası kullanın.

KULLANIM

Açı taşlama aleti pek çok malzemenin ayırma ve kaba taşlama işlerinde kullanılır, örneğin metal veya taş ve plastik taşlama tabağı ile taşlama ve çelik tel fırça ile çalışırken.

Bu alet sadece belirttiği gibi ve usulüne uygun olarak kullanılabilir.

CE UYGUNLUK BEYANI

Tek sorumlu olarak bu ürünün aşağıdaki normlara ve norm dokümanlarına uygunluğunu beyan ederiz:

EN 60745-1:2009+A11:2010

EN 60745-2-3:2011

EN 55014-1:2006+A1:2009+A2:2011

EN 55014-2:1997+A1:2001+A2:2008

EN 61000-3-2:2006+A1:2009+A2:2009

EN 61000-3-3:2008

yönetmelik hükümleri

2011/65/EU (RoHS)

2006/42/EC

2004/108/EC



Winnenden, 2012-09-09

Rainer Kumpf

Director Product Development

Teknik evrakları hazırlamakla görevlendirilmiştir.

ŞEBEKE BAĞLANTISI

Aleti sadece tek fazlı alternatif akıma ve tip etiketi üzerinde belirtilen şebeke gerilimine bağlayın. Yapısı Koruma sınıfı II'ye girdiğinden alet koruyucu kontaklız prize de bağlanabilir.

ELEKTRONİK

Aletin elektronik sistemi yük artarken devir sayısını sabit tutar.

Aşırı zorlanma durumunda akım girip, yüklenmenin azaltılmasına kadar düşürülür.

BAKIM

Aletin havalandırma aralıklarını daima temiz tutun.

Kısa devre tehlikesi ortaya çıkacağından metal parçalarını havalandırma aralıklarına girmemesi gerekir.

Sadece Milwaukee aksesuarını ve yedek parçalarını kullanın. Değiştirilmesi açıklanmamış olan parçaları bir Milwaukee müşteri servisinde değiştirin (Garanti broşürüne ve müşteri servisi adreslerine dikkat edin).

Gerektiği takdirde aletin dağınık görünüş şeması, alet tipinin ve tip etiketi üzerindeki on hanelik sayımın bildirilmesi koşuluyla müşteri servisinden veya doğrudan Milwaukee Electric Tool, Max-Eyth-Straiße 10, D-71364 Winnenden, Germany adresinden istenebilir.

SEMBOLLER



Lütfen aleti çalıştırmadan önce kullanma kılavuzunu dikkatli biçimde okuyun.



Aletle çalışırken daima koruyucu gözlük kullanın.



Aletin kendinde bir çalışma yapmadan önce fişi prizden çekin.



Aksesuar - Teslimat kapsamında değildir, önerilen tamamlamalar aksesuar programında.



Elektrikli el aletlerini evdeki çöp kutusuna atmayınız! Kullanılmış elektrikli aletleri, elektrik ve elektronik eski cihazlar hakkındaki 2002/96/EC Avrupa yönergelerine göre ve bu yönergeler ulusal hukuk kurallarına göre uyarlanarak, ayrı olarak toplanmalı ve çevre şartlarına uygun bir şekilde tekrar değerlendirilmeye gönderilmelidir.



Koruma sınıfı II, elektrik tepkisine karşı korumanın sadece bası izolasyonuna bağlı olmayan elektro alet, bilakis çift izolasyon veya takviye edilen izolasyon jini ek koruyucu tedbirler uygulanır.

TECHNICKÁ DATA

	Úhlová bruska	AGV17-125XE	AGV17-125XE DMS
Jmenovitý příkon	1750 W	1750 W	1750 W
Odběr	1150 W	1150 W	1150 W
Volnoběžné otáčky max.	2600-11000 min ⁻¹	2600-11000 min ⁻¹	
Průměr brusného kotouče	125 mm	125 mm	125 mm
Závit vřetene	M 14	M 14	
Hmotnost podle prováděcího předpisu EPTA 01/2003	2,8 kg	2,8 kg	

Informace o hluku / vibracích

Naměřené hodnoty odpovídají EN 60 745.

V třídě A posuzovaná hladina hluku přístroje činí typicky:

Hladina akustického tlaku (K = 3 dB(A))

Hladina akustického výkonu (K = 3 dB(A))

Použijte chrániče sluchu !

Celkové hodnoty vibrací (vektorový součet tří směrů) zjištěné ve smyslu EN 60745.

Rezáni a hrubování brusným kotoučem: hodnota vibračních emisí a_v

Kolisavost K =

Broušení plastovým brusným kotoučem: hodnota vibračních emisí a_v

Kolisavost K =

U jiných aplikací, např. při rozbrušování nebo broušení ocelovým drátěným kartáčem mohou vznikat vibrace jiných hodnot!

VAROVÁNÍ

Úroveň chvění uvedená v tomto návodu byla naměřena podle metody měření stanovené normou EN 60745 a může být použita pro porovnání elektrického nářadí. Hodí se také pro průběžný odhad zatížení chvěním.

Uvedená úroveň chvění představuje hlavní účely použití elektrického nářadí. Jestliže se ale elektrické nářadí používá pro jiné účely, s odlišnými nástroji nebo s nedostatečnou údržbou, může se úroveň chvění odlišovat. To může značně zvýšit zatížení chvěním během celé pracovní doby.

Pro přesný odhad zatížení chvěním se musí také zohlednit časy, během kterých je přístroj vypnutý nebo kdy je sice v chodu, ale skutečně se s ním nepracuje. To může zatížení chvěním během celé pracovní doby značně snížit.

Stanovte doplňková bezpečnostní opatření pro ochranu obsluhy před účinky chvění jako například: technická údržba elektrického nářadí a nástrojů, udržování teploty rukou, organizace pracovních procesů.

VAROVÁNÍ! Seznamte se se všemi bezpečnostními pokyny a sice i s pokyny v přiložené brožůře. Zanedbnání při dodržování varovných upozornění a pokynů mohou mít za následek úder elektrickým proudem, požár a/nebo těžká poranění.

Všechna varovná upozornění a pokyny do budoucna uschovejte.

SPECIÁLNÍ BEZPEČNOSTNÍ UPOZORNĚNÍ

Společná varovná upozornění k broušení, smirkování, práci s drátěnými kartáči a dělení:

a) Toto elektronářadí se používá jako bruska, bruska brusným papírem, kartáčovačka, dělicí bruska. Dbejte všech varovných upozornění, pokynů, zobrazení a údajů, jež jste s elektronářadím obdrželi. Pokud následující pokyny nedodržíte, může to vést k úderu elektrickým proudem, požáru nebo těžkým poraněním.

b) Toto elektrické nářadí není vhodné k leštění. Použití tohoto elektrického nářadí k jiným než určeným účelům může vést k ohrožení zdraví a ke zranění.

c) Nepoužívejte žádné příslušenství, které není výrobcem speciálně pro toto elektronářadí určeno a doporučeno. Pouze to, že můžete příslušenství na Vaše elektronářadí upevnit, nezaručuje bezpečné použití.

d) Dovolенý počet otáček nasazovacího nástroje musí být minimálně tak vysoký, jako na elektronářadí uvedený nejvyšší počet otáček. Příslušenství, jež se otáčí rychleji než je dovoleno, se může rozlomit a rozletět.

e) Vnější rozměr a tloušťka nasazovacího nástroje musí odpovídat rozměrovým údajům Vašeho elektronářadí. Špatně dimenzované nasazovací nástroje nemohou být dostatečně stíněny nebo kontrolovány.

f) Brusné kotouče, příruby, brusné taliře nebo jiné příslušenství musí přesně licovat na brusné vřeteno Vašeho elektronářadí. Nasazovací nástroje, které přesně nelicují na brusné vřeteno elektronářadí, se nerovnoměrně točí, velmi silně vibrují a mohou vést ke ztrátě kontroly.

g) Nepoužívejte žádné poškozené nasazovací nástroje. Zkontrolujte před každým použitím nasazovací nástroje jako brusné kotouče na odštěpky a trhliny, brusné taliře na trhliny, otěr nebo silné opotřebení, drátěné kartáče na uvolněné nebo zlomené dráty. Spadne-li elektronářadí nebo nasazovací nástroj z výšky, zkontrolujte zda není poškozený nebo použijte nepoškozený nasazovací nástroj. Pokud jste nasazovací nástroj zkontrolovali a nasadili, držte se Vy a v blízkosti nacházející se osoby mimo rovinu rotujícího nasazovacího nástroje a nechte stroj běžet jednu minutu s nejvyššími otáčkami. Poškozené nasazovací nástroje většinou v této době testování prasknou.

h) Noste osobní ochranné vybavení. Podle aplikace použijte ochranu celého obličej, ochranu očí nebo ochranné brýle. Taktéž adekvátně noste ochrannou masku proti prachu, ochranu sluchu, ochranné rukavice nebo speciální zástěru, jež Vás ochrání před malými částicemi brusiva a materiálu. Oči mají být chráněny před odletujícími cizími tělisky, jež vznikají při různých aplikacích. Protiprachová maska či respirátor musejí při používání vznikající prach odfiltrovat. Pokud jste dlouho vystaveni silnému hluku, můžete utrpět ztrátu sluchu.

i) Dbejte u ostatních osob na bezpečnou vzdálenost k Vaši pracovní oblasti. Každý, kdo vstoupí do této pracovní oblasti, musí nosit osobní ochranné vybavení. Úlomky obrobku nebo ulomených nasazovacích nástrojů mohou odlétnout a způsobit poranění i mimo přímou pracovní oblast.

j) Pokud provádíte práce, při kterých může nasazovací nástroj zasáhnout skrytá elektrická vedení nebo vlastní síťový kabel, pak uchopte elektronářadí pouze na izolovaných plochách držadla. Kontakt s vedením pod napětím přivádí napětí i na kovové díly elektronářadí a vede k úderu elektrickým proudem.

k) Držte síťový kabel daleko od otáčejících se nasazovacích nástrojů. Když ztratíte kontrolu nad strojem, může být přerušen nebo zachycen síťový kabel a Vaše ruka nebo paže se může dostat do otáčejícího se nasazovacího nástroje.

l) Nikdy neodkládejte elektronářadí dřívě, než se nasazovací nástroj dostal zcela do stavu klidu. Otáčející se nasazovací nástroj se může dostat do kontaktu s odkládací plochou, čímž můžete ztratit kontrolu nad elektronářadím.

m) Nenechte elektronářadí běžet po dobu, co jej nesete. Váš oděv může být náhodným kontaktem s otáčejícím se nasazovacím nástrojem zachycen a nasazovací nástroj se může zavrtat do Vašeho těla.

n) Čistíte pravidelně větrací otvory Vašeho elektronářadí. Ventilátor motoru vtahuje do tělesa prach a silné nahromadění kovového prachu může způsobit elektrická rizika.

o) Nepoužívejte elektronářadí v blízkosti hořlavých materiálů. Jiskry mohou tyto materiály zapálit.

p) Nepoužívejte žádné nasazovací nástroje, které vyžadují kapalně chladič prostředků. Použití vody nebo jiných kapalných chladičích prostředků může vést k úderu elektrickým proudem.

Zpětný ráz a odpovídající varovná upozornění

Zpětný ráz je náhlá reakce v důsledku zaseknutého nebo zablokovaného otáčejícího se nasazovacího nástroje, jako je brusný kotouč, brusný talíř, drátěný kartáč atd. Zaseknutí nebo zablokování vede k náhlému zastavení rotujícího nasazovacího nástroje. Tím nekontrolované elektronářadí akceleruje v místě zablokování proti směru otáčení nasazovacího nástroje.

Pokud se např. zpřičí nebo zablokuje brusný kotouč v obrobku, může se hrana brusného kotouče, která se zanojuje do obrobku, zakousnout a tím brusný kotouč vylomit nebo způsobit zpětný ráz. Brusný kotouč se potom pohybuje k nebo od obsluhující osoby, podle směru otáčení kotouče na místě zablokování. Při tom mohou brusné kotouče i prasknout.

Zpětný ráz je důsledek nesprávného nebo chyběného použití elektronářadí. Lze mu zabránit vhodnými preventivními opatřeními, jak je následně popsáno.

a) Držte elektronářadí dobře pevně a uveďte Vaše tělo a paže do polohy, ve které můžete zachytit síly zpětného rázu. Je-li k dispozici, používejte vždy přidavnou rukojeť, abyste měli co největší možnou kontrolu nad silami zpětného rázu nebo reakčních momentů při rozběhu.

Obsluhující osoba může vhodnými preventivními opatřeními vyladnout síly zpětného rázu a reakčního momentu.

b) Nikdy nedávejte Vaši ruku do blízkosti otáčejících se nasazovacích nástrojů. Nasazovací nástroj se při zpětném rázu může pohybovat přes Vaši ruku.

c) Vyhýbejte se Vaším tělem oblastí, kam se bude elektronářadí při zpětném rázu pohybovat. Zpětný ráz vhná elektronářadí v místě zablokování do opačného směru k pohybu brusného kotouče.

d) Zvlášť opatrně pracujte v místech rohů, ostrých hran apod. Zabraňte, aby se nasazovací nástroj odrazil od obrobku a vzpřičil. Rotující nasazovací nástroj je u rohů, ostrých hran a pokud se odrazí náhle vzhůru na vzpřičení se. Toto způsobí ztrátu kontroly nebo zpětný ráz.

e) Nepoužívejte žádný článkový nebo ozubený pilový kotouč. Takovéto nasazovací nástroje způsobují často zpětný ráz nebo ztrátu kontroly nad elektronářadím.

Zvláštní varovná upozornění k broušení a dělení

a) Používejte výhradně pro Vaše elektronářadí schválená brusná tělesa a pro tato brusná tělesa určený ochranný kryt. Brusná tělesa, která nejsou určena pro toto elektronářadí, nemohou být dostatečně stíněna a jsou nespolehlivá.

b) Používejte vždy ten ochranný kryt, jež je určen pro použitý druh brusného tělesa. Ochranný kryt musí být bezpečně na elektronářadí namontován a nastaven tak, aby bylo dosaženo maximální míry bezpečnosti, tzn. nejmenší možný díl brusného tělesa ukazuje nekrytý k obsluhující osobě. Ochranný kryt má obsluhující osobu chránit před úlomky a případným kontaktem s brusným tělesem.

c) Brusná tělesa smějí být použita pouze pro doporučené možnosti nasazení. Např.: nikdy nebruste boční plochou dělicího kotouče. Dělicí kotouče jsou určeny k úberu materiálů hranou kotouče. Boční působení síly na tato brusná tělesa je může rozlámat.

d) Používejte vždy nepoškozené upínací přírubby ve správné velikosti a tvaru pro Vámi zvolený brusný kotouč.

Vhodné přírubby podpirají brusný kotouč a zmirňují tak nebezpečí prasknutí brusného kotouče. Přírubby pro dělicí kotouče se mohou odlišovat od přírub pro jiné brusné kotouče.

e) Nepoužívejte žádné opotřebené brusné kotouče od většího elektronářadí. Brusné kotouče pro větší elektronářadí nejsou dimenzovány pro vyšší otáčky menších elektronářadí a mohou prasknout.

Další zvláštní varovná upozornění k dělení

a) Zabraňte zablokování dělicího kotouče nebo příliš vysokému přítlaku. Neprovádějte žádné nadměrně hluboké řezy. Přetížení dělicího kotouče zvyšuje jeho namáhání a náchylnost ke vzpřičení nebo zablokování a tím možnost zpětného rázu nebo prasknutí brusného tělesa.

b) Vyhýbejte se oblasti před a za rotujícím dělicím kotoučem. Pokud pohybujete dělicím kotoučem v obrobku pryč od sebe, může být v případě zpětného rázu elektronářadí s otáčejícím se kotoučem vymrštnuto přímo na Vás.

c) Jestliže dělicí kotouč uvízne nebo práci přerušíte, elektronářadí vypněte a vydržte v klidu než se kotouč zastaví. Nikdy se nepokoušejte ještě běžící dělicí kotouč vytáhnout z řezu, jinak může následovat zpětný ráz. Zjistíte a odstraňte příčinu uvíznutí.

d) Elektronářadí opět nezapínejte, dokud se nachází v obrobku. Nechte dělicí kotouč nejprve dosáhnout svých plných otáček, než budete v řezu opatrně pokračovat. Jinak se může kotouč zaseknout, vyskočit z obrobku nebo způsobit zpětný ráz.

e) Desky nebo velké obrobky podepřete, aby se zabránilo riziku zpětného rázu od sevřeného dělicího kotouče. Velké obrobky se mohou pod svou vlastní hmotností prohnut. Obrobek musí být podepřen na obou stranách a to jak v blízkosti dělicího řezu tak i na okraji.

f) Buďte obzvlášť opatrní u “kapsovitých řezů” do stávajících stěn nebo jiných míst, kam není vidět. Zanořující se dělicí kotouč může při zařazení do plynových, vodovodních či elektrických vedení nebo jiných objektů způsobit zpětný ráz.

Zvláštní varovná upozornění ke smirkování

a) Nepoužívejte žádné předimenzované brusné listy, ale dodržujte údaje výrobce k velikosti brusných listů. Brusné listy, které vyčnívají přes brusný talíř, mohou způsobit poranění a též vést k zablokování, roztržení brusných listů nebo ke zpětnému rázu.

Zvláštní varovná upozornění k práci s drátěnými kartáči

a) Dbejte na to, že drátěný kartáč i během běžného používání ztrácí kousky drátu. Nepřetěžujte dráty příliš vysokým přítlakem. Odlétající kousky drátu mohou velmi lehce proniknout skrz tenký oděv a/nebo pokožku.

b) Je-li doporučen ochranný kryt, zabraňte, aby se ochranný kryt a drátěný kartáč mohly dotýkat. Talířové a hrcové kartáče mohou díky přítlaku a odstředivým silám zvětšit svůj průměr.

Ve venkovním prostředí musí být zásuvky vybaveny proudovým chráničem (FI, RCD, PRCD). Je to vyžadováno instalačním předpisem pro toto el.zařízení. Dodržujte ho při používání tohoto nářadí, prosím!

Pokud stroj běží, nesmí být odstraňovány třísky nebo odštěpky.

Stroj zapínat do zásuvky pouze když je vypnutý.

Nesahejte do nebezpečného prostoru běžícího stroje.

Vždy používejte doplňkové madlo.

Při broušení a řezání vždy používejte ochranný kryt kotouče.

Stroj okamžitě vypněte, zjistíte-li neobvyklé vibrace nebo jiné problémy. Stroj přezkoušejte, abyste zjistili příčinu problémů.

Kotouče používejte a skladujte podle doporučení výrobce.

Při broušení kovů odleťují jiskry. Dbejte, aby nedošlo k poškození osob. V blízkosti (kam zaletují jiskry) se nesmí

nacházet žádné hořlavé látky - nebezpečí požáru.

Nepoužívejte odsavač prachu.

Stroj držte při práci tak, aby jiskry a brusný prach odletovaly od těla.

Při řezání kamene je předepsáno použití vodících saní.

Upínací matice kotouče musí být před spuštěním stroje utažena.

Obroběný kus musí být řadně upnut, není-li dostatečně těžký.

Při extrémních pracovních podmínkách (např. při hladkém vybrušování kovů opěrným kotoučem a brusným kotoučem z vulkanífibru) se uvnitř ruční úhlové brusky mohou nahromadit nečistoty. Za těchto pracovních podmínek je bezpodmínečně nutné důkladně vyčistit vnitřní prostor a zbavit jej kovových usazenin a zařadit před brusku automaticky spínač v obvodu diferenciální ochrany. Po aktivaci tohoto spínače se musí úhlová bruska zaslat k opravě servisnímu středisku.

U brusiva vybaveného podložkou se závitem zajistit, aby byl závit dostatečně dlouhý pro hřdel.

Pro řezací práce použijte uzavřený ochranný kryt z programu příslušenství.

OBLAST VYUŽITÍ

Úhlová bruska je použitelná k dělení a hrubování brusným kotoučem u mnohých materiálů jako například kovů nebo kamene a také k broušení plastových brusným kotoučem a práci s ocelovým drátěným kartáčem. Ve sporném případě se řiďte pokyny výrobce příslušenství.

Toto zařízení lze používat jen pro uvedený účel.

CE-PROHLÁŠENÍ O SHODĚ

Se vši zodpovědností prohlašujeme, že tento výrobek odpovídá následujícím normám a normativním dokumentům:
EN 60745-1:2009+A11:2010
EN 60745-2-3:2011
EN 55014-1:2006+A1:2009+A2:2011
EN 55014-2:1997+A1:2001+A2:2008
EN 61000-3-2:2006+A1:2009+A2:2009
EN 61000-3-3:2008

v souladu se směrnice EHS č.
2011/65/EU (RoHS)
2006/42/ES
2004/108/ES



Winnenden, 2012-09-09

Rainer Kumpf
Director Product Development

Zplnomocněn k sestavování technických podkladů.

PŘIPOJENÍ NA SÍŤ

Připojit pouze do jednofázové střídavé sítě o napětí uvedeném na štítku. Lze připojit i do zásuvky bez ochranného kontaktu neboť spotřebič je třídy II.

ELEKTRONIKA

Elektronika udržuje otáčky konstantní i při vzrůstajícím zatížení.

Při přetížení je přívod proudu omezen až do snížení zatížení.

ÚDRŽBA

Větrací štěrby nářadí udržujeme stále čisté.

Vzhledem k nebezpečí zkratu se nesmí dostat do odvětrávací mezery kovy.

Používejte výhradně náhradní díly a příslušenství Milwaukee. Díly, jejichž výměna nebyla popsána, nechávejte vyměnit v odborném servisní Milwaukee. (Viz záruční list.)

Při potřebě podrobného rozkresu konstrukce, oslovte informaci o typu a desetimístném objednacím čísle přímo servis a nebo výrobce, Milwaukee Electric Tool, Max-Eyth-Straße 10, D-71364 Winnenden, Germany

SYMBOLY



Před spuštěním stroje si pečlivě pročtěte návod k používání.



Při práci se strojem neustále nosit ochranné brýle.



Před zahájením veškerých prací na vrtacím klavidu vytáhnout síťovou zástrčku ze zásuvky.



Příslušenství není součástí dodávky, viz program příslušenství.



Elektrické nářadí nevyhazujte do komunálního odpadu! Podle evropské směrnice 2002/96/EC o nakládání s použitými elektrickými a elektronickými zařízeními a odpovídajících ustanovení právních předpisů jednotlivých zemí se použítá elektrická nářadí musí sbírat odděleně od ostatního odpadu a podrobit ekologicky šetrnému recyklování.



Třída ochrany II, elektrické nářadí, u kterého ochrana proti úrazu elektrickým proudem nezávisí pouze na základní izolaci, nýbrž i na přijetí dalších ochranných opatření, jako provedení s dvojitou nebo zesílenou izolací.

Copyright 2012
Milwaukee Electric Tool
Max-Eyth-Straße 10
D-71364 Winnenden
Germany
+49 (0) 7195-12-0



(09.12)

4931 4142 52