

Paslode[®] *Impulse*[®]



Part No. 013312 (EU)
Part No. 013313 (UK)
IM65A F16 Lithium



Part No. 013322 (EU)
Part No. 013323 (UK)
IM65 F16 Lithium



Part No. 013332 (EU)
Part No. 013333 (UK)
IM50 F18 Lithium

IMPORTANT!
DO NOT DESTROY

Always refer to operating and safety instructions (**#018909 & #014744**) for detailed information on this tool. It is the customer's responsibility to have all operators and service personnel read and understand this information.

TOOL SCHEMATIC AND PARTS

| | | | | | | | |
|------|--------|---|----------------------------------|------|--------|---|--------------------------------|
| 1 | 013715 | 1 | Grill black | 61 | 901019 | 1 | Torsion Spring Magazine Latch |
| * 2 | 900648 | 1 | Filter | 62 | 900353 | 1 | Pivot Pin |
| 3 | 901064 | 4 | S.H.C.S. 8-32 x 1-3/8" | 63 | 901014 | 1 | Magazine Latch Release |
| 4 | 900785 | 1 | Spark Plug Sleeve | 64 | 901061 | 2 | Screw 6-32 x 3/16 BH |
| 5 | 902011 | 1 | Cap black | 66 | 901013 | 1 | Magazine End Cap |
| 6 | 901119 | 1 | Retaining Ring | 67 | 013671 | 1 | Warning Label Top |
| 8 | 901382 | 1 | Fan Motor Assembly | 68 | 902416 | 1 | Depth of drive Indicator Label |
| 9 | 900785 | 1 | Insulator | 69 | 404922 | 2 | Battery Contact Pad |
| *13 | 401356 | 1 | Motor Sleeve | 70 | 901095 | 1 | Switch Side Assembly |
| 14 | 900714 | 1 | Spark Plug Assembly | 71 | 900792 | 2 | Shoulder screw 8-32 x 15/82" |
| 15 | 900674 | 1 | Wire Clip | 73 | 901084 | 1 | Magazine Wear Strip Assembly |
| 16 | 900697 | 1 | Stem Adapter | ▲ 74 | 900660 | 2 | Screw 10-32 x 3/8" |
| ■ 17 | 405140 | 4 | ScREW 8-32 x 7/16" (red) | 75 | 901062 | 1 | Screw 6-32 x 1/8" |
| 18 | 900596 | 1 | Screw, Sem 8-32 x 7/16" | 76 | 901012 | 1 | Magazine Cover |
| 19 | 900739 | 1 | Cylinder Head Circuit Board Ass. | 77 | 901015 | 1 | Follower |
| 20 | 900605 | 1 | Cylinder Head | 78 | 901018 | 1 | Magazine Pin |
| 21 | 900612 | 4 | Seal Ring | 79 | 901055 | 1 | O-ring |
| 22 | 900709 | 1 | Fan Assembly | 80 | 901052 | 1 | Spring Cover |
| 23 | 900700 | 1 | Air Dam | 81 | 901016 | 1 | Constant Force Spring |
| 24 | 900729 | 1 | Combustion Chamber Assembly | 82 | 901017 | 1 | Spool Spring |
| 25 | 900746 | 2 | Screw 8-32 x 7/16 phtx | 84 | 903702 | 1 | Handle Left |
| 26 | 901038 | 1 | Spring | 85 | 903701 | 1 | Handle Right |
| 27 | 901037 | 1 | Yoke | 86 | 901066 | 4 | Screw- Plastite |
| 28 | 901039 | 1 | Yoke Support | 87 | 900703 | 1 | Handle Bracket |
| 31 | 900734 | 1 | Roll Pin | 88 | 900755 | 1 | Bushing Actuator |
| 32 | 902437 | 1 | Knob W | 89 | 900788 | 1 | Actuator Assembly |
| 34 | 901009 | 1 | Latch Cover Quick Clear | 90 | 404433 | 1 | Pin Actuator |
| 35 | 900685 | 1 | Spring Pin | 91 | 900765 | 1 | Spark Plug Wire Assembly |
| 36 | 901005 | 1 | Latch Clip | 92 | 904562 | 1 | Fan Wire Assembly |
| 37 | 901049 | 1 | Spring Pin | 93 | 902439 | 1 | Molded Circuit Assembly |
| 38 | 901006 | 1 | Spring Clip Assembly | *94 | 901021 | 1 | Piston Bumper |
| 39 | 901002 | 1 | Front Plate | 95 | 901078 | 1 | Piston Assembly |
| 40 | 901048 | 1 | Probe Tip | 96 | 901040 | 1 | Piston Ring |
| 41 | 903704 | 1 | Probe | 97 | 901036 | 1 | Retaining Ring |
| 42 | 901026 | 2 | Screw 10-24 x .75 | 98 | 901044 | 1 | Soft Grip |
| 43 | 901003 | 1 | Black Plate | 99 | 902440 | 1 | Electronic Spark Unit |
| 44 | 901025 | 1 | Support Pin | 100 | 900662 | 1 | ESU Power Wire Assembly |
| 45 | 901004 | 1 | Front Plate Support | 101 | 901045 | 1 | Trigger |
| 46 | 901081 | 1 | Sleeve Assembly | 102 | 900608 | 1 | Trigger Spring Bushing |
| 47 | 900616 | 1 | O-Ring | 103 | 901047 | 1 | Trigger Pin |
| 48 | 901089 | 1 | Exhaust Baffle | 104 | 901053 | 1 | Trigger Spring |
| 49 | 900665 | 1 | Reed Plate | 105 | 404702 | 2 | Screw 6-32 x 3/8" |
| 50 | 900664 | 1 | Reed Valve | 106 | 900629 | 1 | High Tension Clip |
| 51 | 900609 | 1 | Muffler | →107 | 903003 | 1 | Contact Positive |
| 52 | 900668 | 1 | Muffler Cover | →108 | 903004 | 1 | Contact Negative |
| 54 | 901059 | 1 | Front Channel | 109 | 902434 | 1 | Nut-Utility Hook |
| 55 | 900598 | 2 | Screw 10-32 x 5/16" (red) | 110 | 902433 | 1 | Button |
| 56 | 018926 | 1 | Label, Li-Ion IM50 F18 | 111 | 902431 | 1 | Block-Utility Hook |
| 57 | 018929 | 1 | Nameplate | 112 | 902432 | 1 | Spring |
| 58 | 404385 | 1 | Light Pipe | 113 | 902435 | 1 | Stop Utility Hook |
| 59 | 018923 | 1 | Handles Label assembly | 114 | 902430 | 1 | Utility Hook |

* Indicates normal wear items

→ Denotes Change

■ Grease Part No. 900767 to Threads.

▲ Apply Loctite RC-620 (Green)

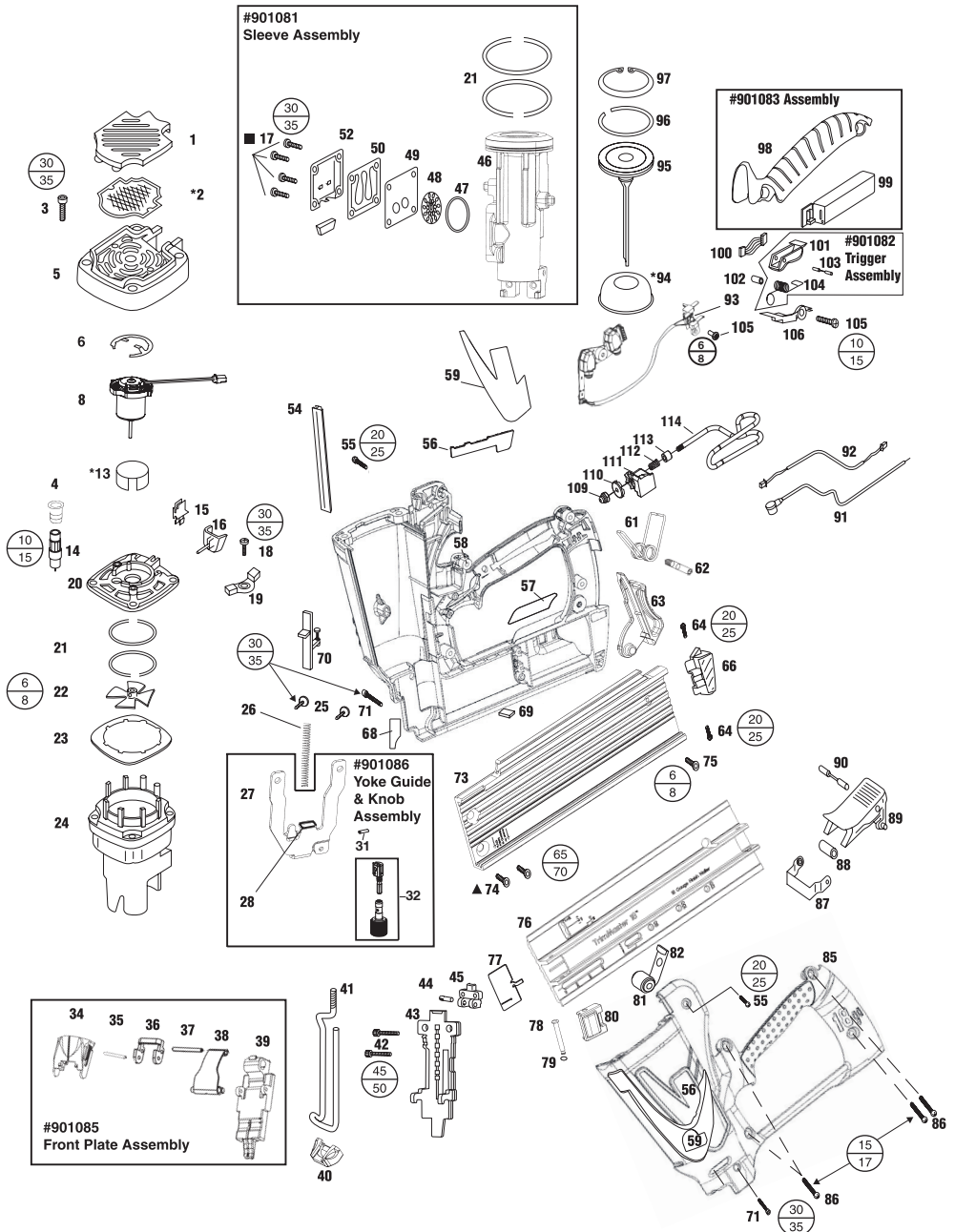
SAFETY INSTRUCTIONS

WEAR EYE AND HEARING PROTECTION



Always wear eye and hearing protection when operating a nail tool.





| TORQUE VALUES | |
|---------------|--------|
| MIN | IN.LBS |
| MAX | |

⚠ CAUTION

All parts must be periodically inspected and replaced if worn or broken. Failure to do this can affect the tool's operation and present a safety hazard.

ACCESSORIES

Car Adapter

Enables you to re-charge your battery with your vehicle's electrical system.



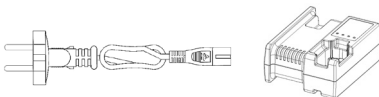
Part No. 900507

Battery Cell



Part No. 018880

Battery Charger



Part No. 018881 (EU)
018882 (UK)

Cable



Part No. 018885 (EU)
018886 (UK)

No-Mar Tip - 3 Pk. - Hard Tip (IM50 F18 Li)

No-Mar Tip - 3 Pk. - Soft Tip (IM50 F18 Li)

No-Mar Tip - 3 Pk. (IM65 F16 Li)

Contains 3 of #900702 tips



Part No. 901048

Part No. 901067

Part No. 219236

Special Panelling No-Mar Tip

IM65A F16 Li

IM65 F16 Li

Position the nailer for a 45 degree shot



Part No. 018930

Part No. 012027

9/64" Hex Key

For cleaning tool



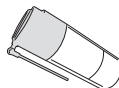
Part No. 900736

Safety Glasses



Part No. 014121

Paslode Intensive Tool Cleaner 300 ml



Part No. 115251

Paslode Impulse Lubricating Oil



Part No. 401482

Carrying Case



Part No. 014979

Cleaning Kit (Blister)

Contains all the necessary to clean any Impulse tool



Part No. 013690

 **Paslode**

An Illinois Tool Works Company

Route de Lyon - BP 104

F - 26501 Bourg Les Valence - Cedex France