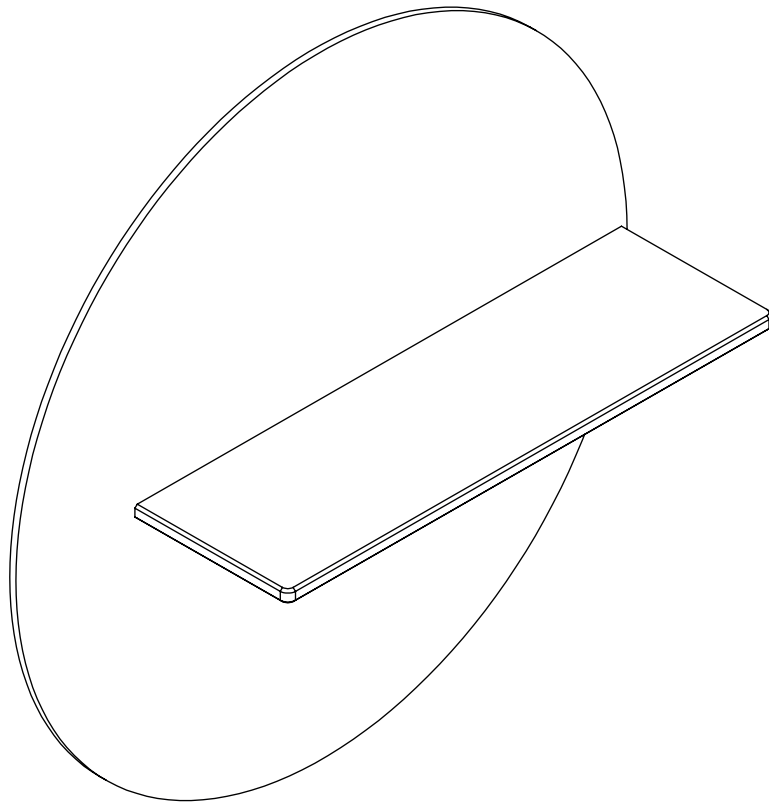




DANSANI
DANISH BATHROOM DESIGN





2x
4-301

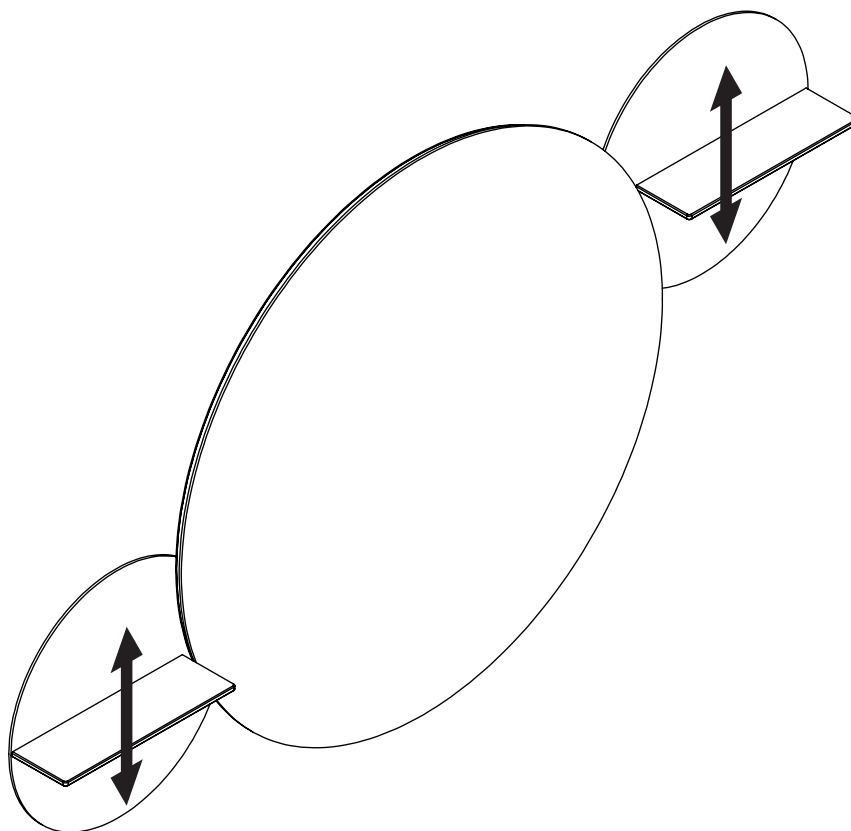


2x
516-1

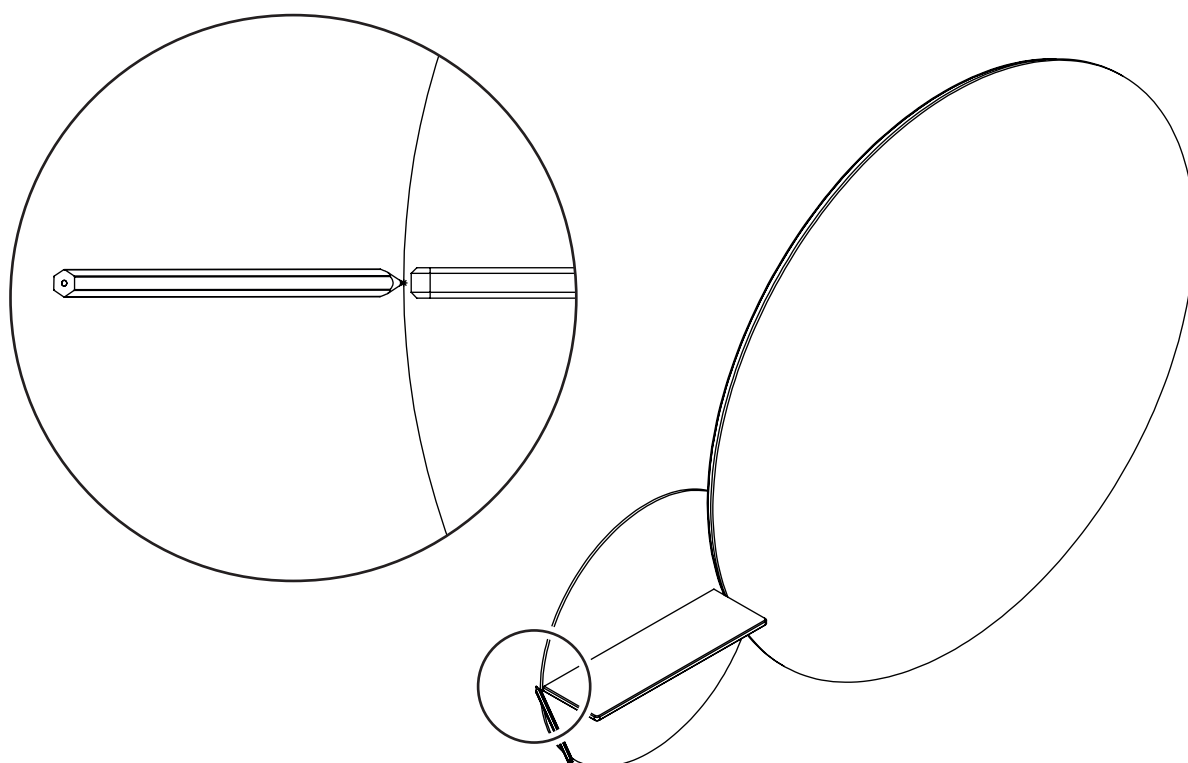


2x
4,0-30SR

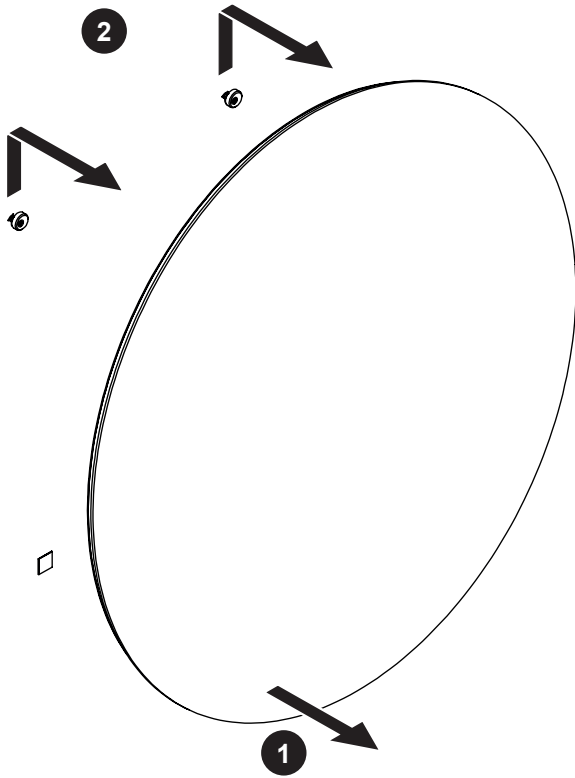
1



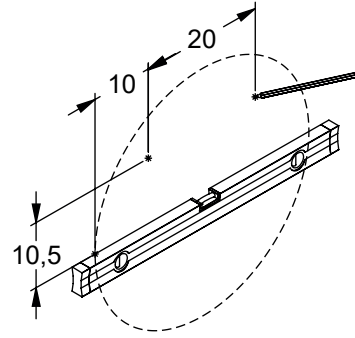
2



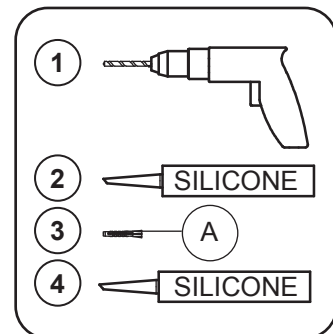
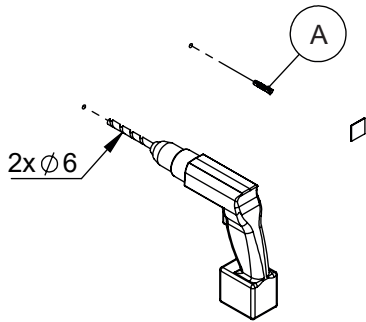
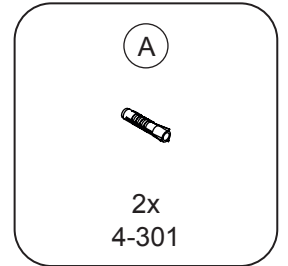
3



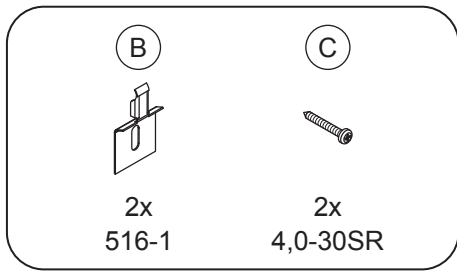
4



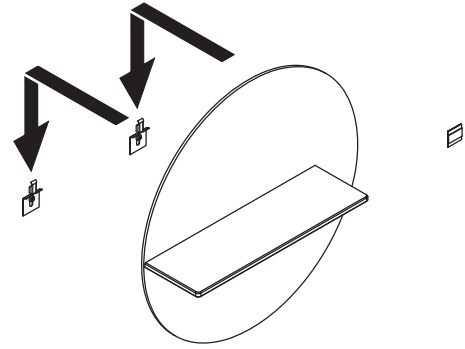
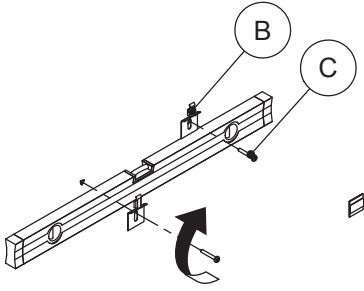
5



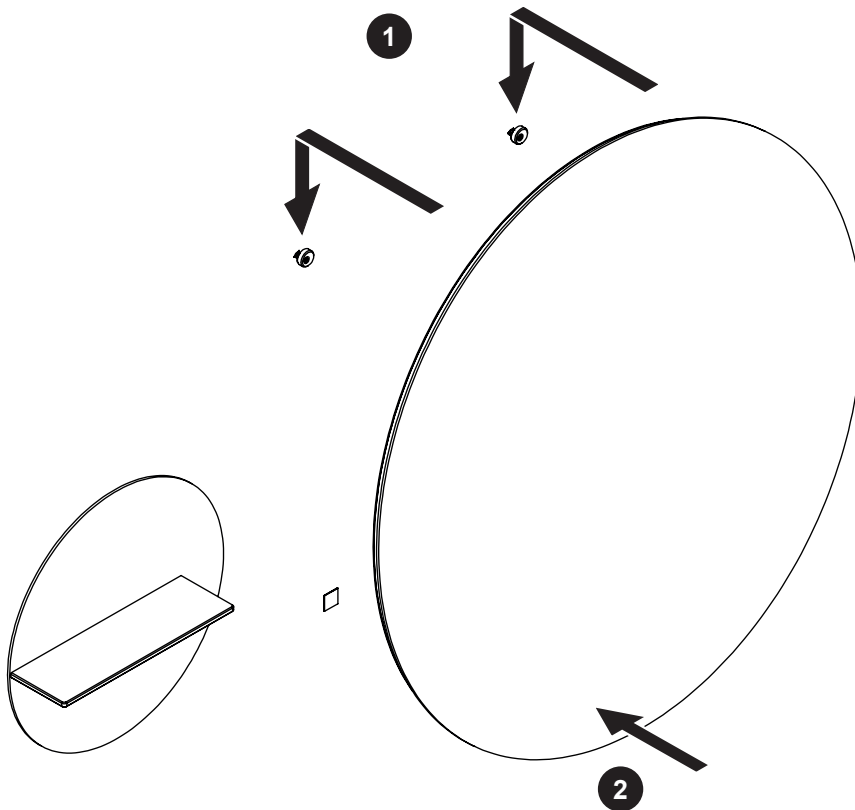
6



7



8



Dansani A/S
 Finlandsvej 8
 DK-6100 Haderslev
 Tel.: +45 73 22 29 00
 Mail: mail@dansani.dk

www.dansani.com www.scanbad.com



5 713804 645852

No. 1454 250107 Rev. 01