



Oras Electra

Design and working instructions for
6100Z series

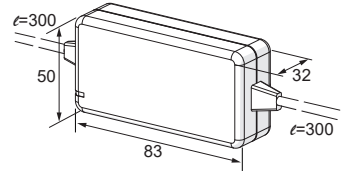


For products:

- 6100Z**
- 6104Z, 6204Z**
- 6105Z, 6205Z, 6205MZ**
- 6110Z**
- 6114Z, 6214BZ**
- 6215Z**
- 6251FZ**
- 6209Z**
- 6575Z**
- 6252Z**

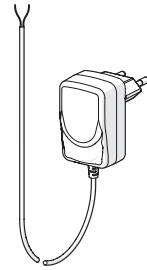
290004

Input 180-264V 50Hz
Output 24V, 1.05A 25W



290005

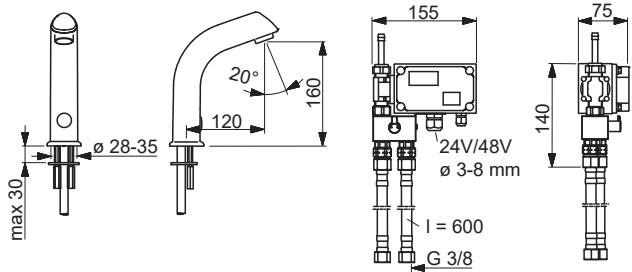
Input 90-264V, 50Hz
Output 24V, 1.04A, 25W



6104Z

I (ISO 3822)
EN 15091
100 - 1000 kPa
0.11 l/s (300 kPa w/Controller)
220 kPa (0.1 l/s)
max. +70°C

IP 67
24-48V

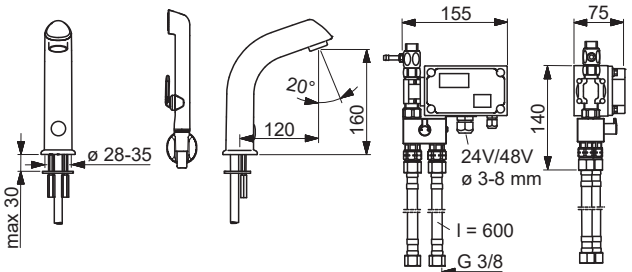


CE (EMC 2014/53/EU , 2011/65/EU)

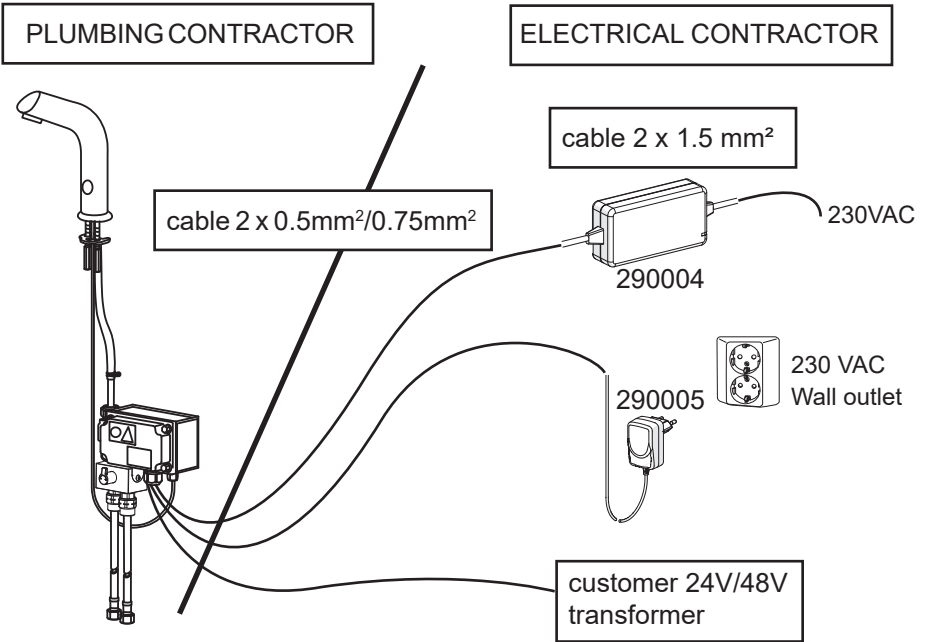
6105Z

I (ISO 3822)
EN 15091
100 - 1000 kPa
0.11 l/s (300 kPa w/Controller)
220 kPa (0.1 l/s)
max. +70°C

IP 67
24-48V

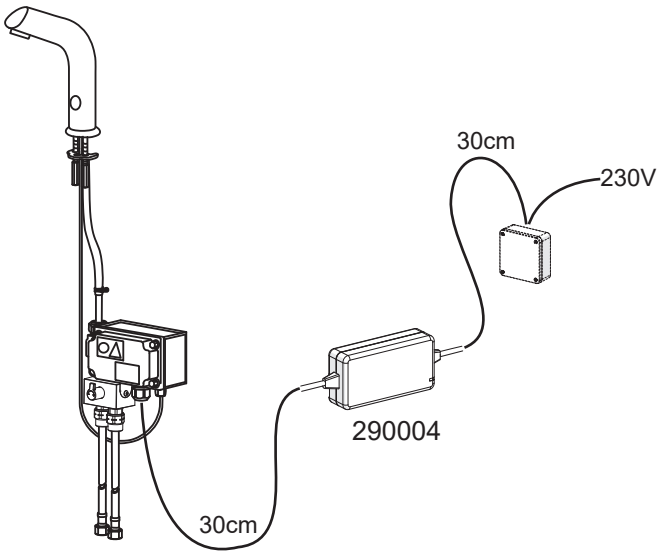


CE (EMC 2014/53/EU , 2011/65/EU)

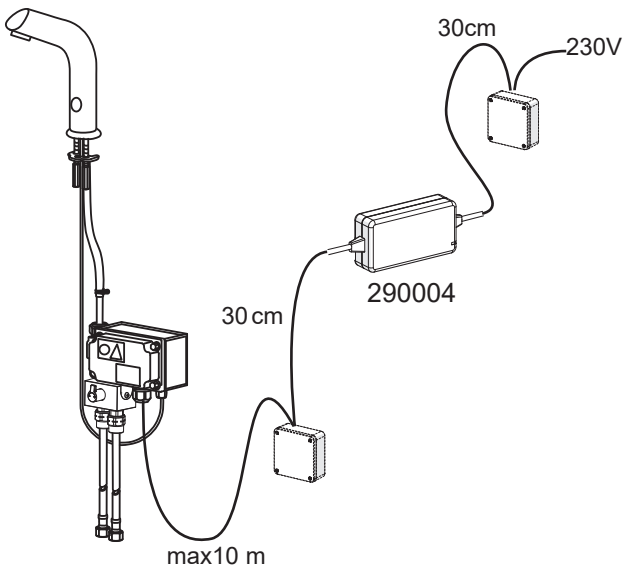




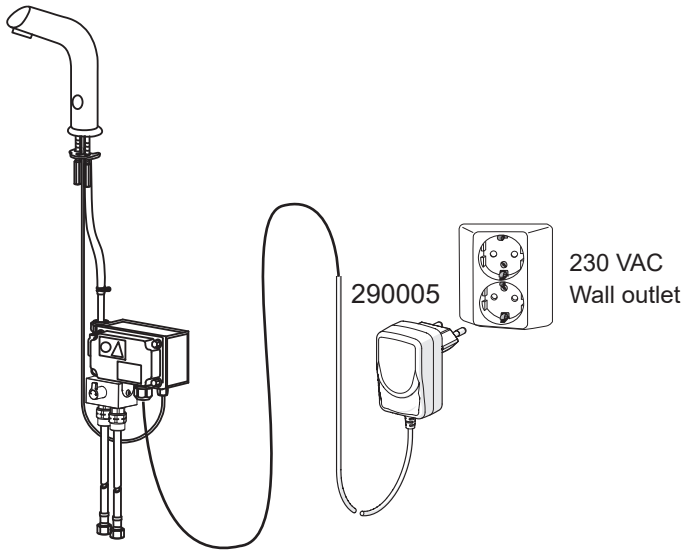
Installation example 1



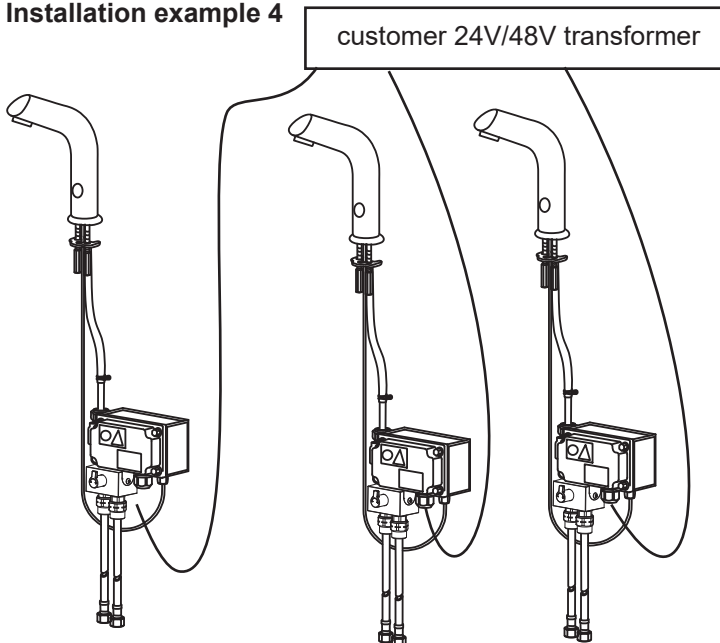
Installation example 2



Installation example 3



Installation example 4



- Max cable length / (AVG20/0.5 mm²)
24V 50 m
48V 100 m
- Max cable length / (AVG18/0.75 mm²)
24V 100 m
48V 200 m
- Calculate the power output: 20W*number of products



About Oras Group

Oras Group is a significant European provider of sanitary fittings: the market leader in the Nordics and a leading company in Continental Europe.

The company's mission is to create the smartest water experiences for everyone and its vision is to become the Perfect Flow Company.

The Group has two strong brands, Oras and Hansa. Oras Group is owned by Oras Invest, a family company, and an industrial owner.

The domicile of Oras Ltd, the parent company of the Group, is located in Rauma, Finland, and the Group has three manufacturing sites: Kralovice (Czech Republic), Olesno (Poland) and Rauma (Finland). The Group operates with its own staff in 17 markets. Oras Group's net sales were 233.5 million euros in 2021 and at the end of the period the company employed 1255 people.

ORAS Ltd
Isometsäntie 2, P.O. Box 40
FI-26101 Rauma
Tel. +358 2 83 161
Fax +358 2 831 6300
info.finland@oras.com
www.oras.com



943495ENG-09-22