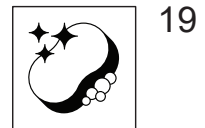
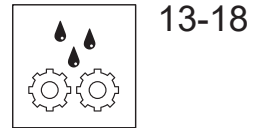
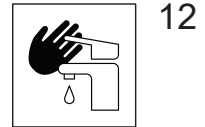




Oras Stela

Installation and maintenance guide

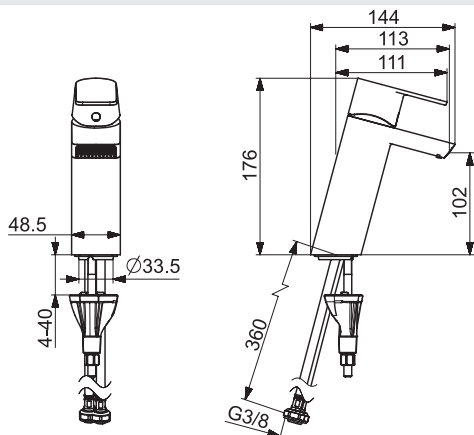






4810F

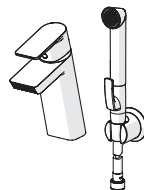
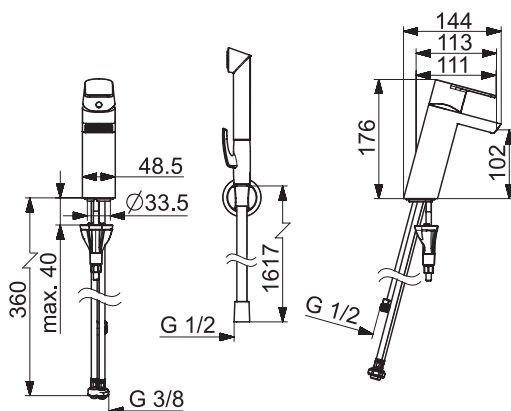
EN 817
50 - 1000 kPa
0.20 l/s (300 kPa)
max. +90°C



mpi.oras.com/4810F

4812F

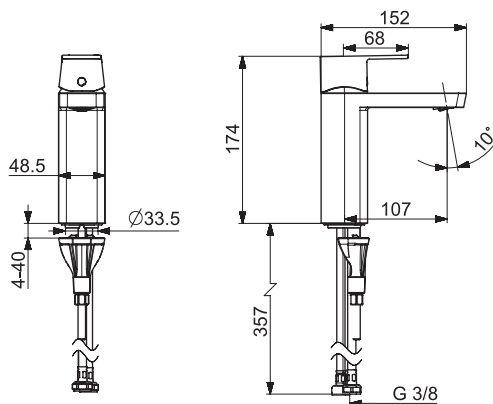
I (ISO 3822)
EN 817
50 - 1000 kPa
0.082 l/s (300 kPa)
max. +80°C



mpi.oras.com/4812F

4805F

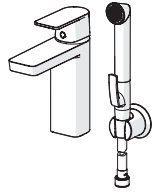
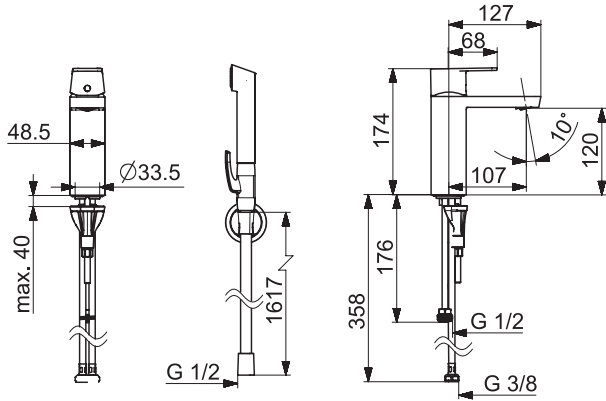
I (ISO 3822)
EN 817
50 - 1000 kPa
0.08 l/s (300 kPa)
max. +80°C



mpi.oras.com/4805F

4806F

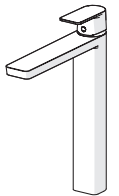
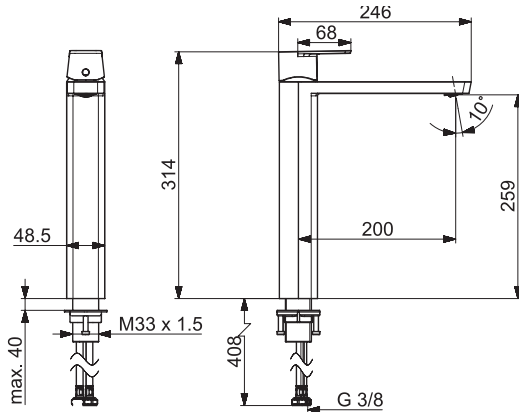
I (ISO 3822)
EN 817
50 - 1000 kPa
0.08 l/s (300 kPa)
max. +80°C



mpi.oras.com/4806F

4801F

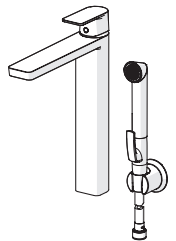
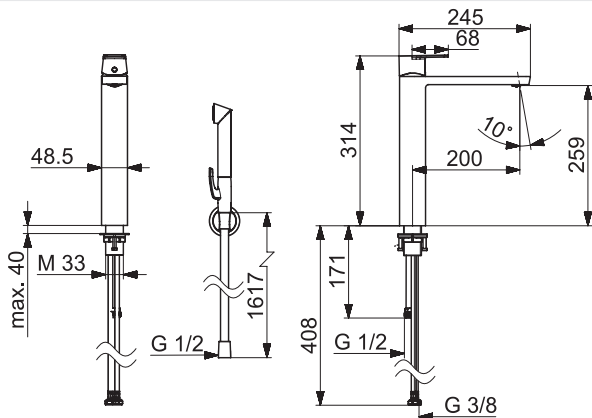
I (ISO 3822)
EN 817
50 - 1000 kPa
max. +80°C



mpi.oras.com/4801F

4802F

I (ISO 3822)
EN 817
50 - 1000 kPa
0.075 l/s (300 kPa)
max. +80°C

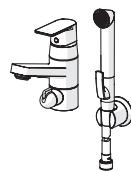
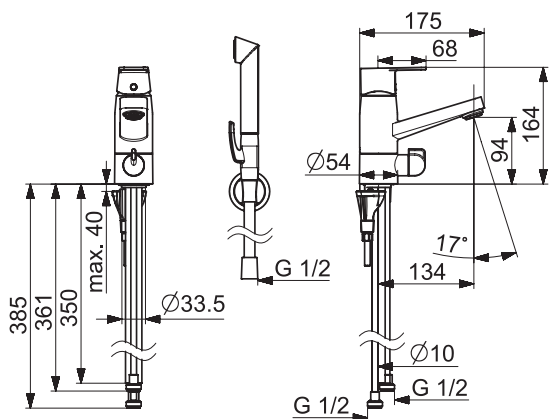


mpi.oras.com/4802F



4807F

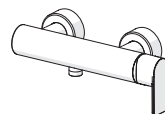
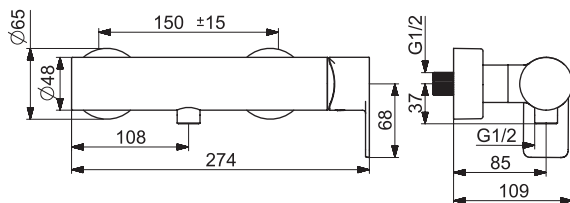
I (ISO 3822)
 EN 817
 50 - 1000 kPa
 0.08 l/s (300 kPa)
 max. +80°C



mpi.oras.com/4807F

4860U

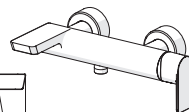
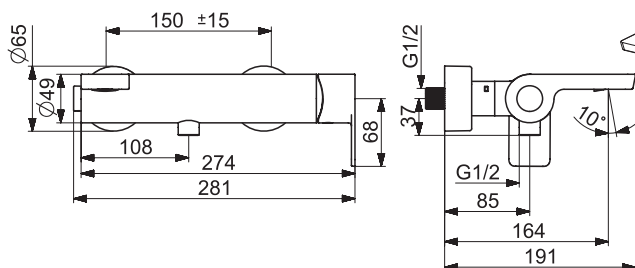
EN 817
 50 - 1000 kPa
 max. +80°C



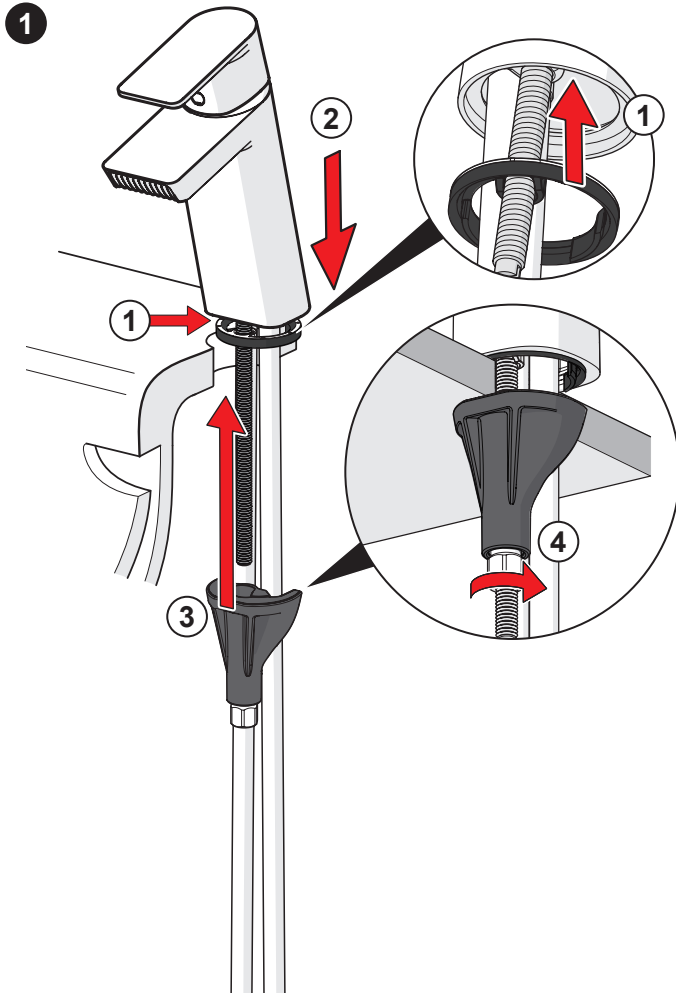
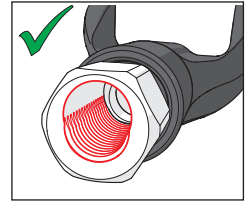
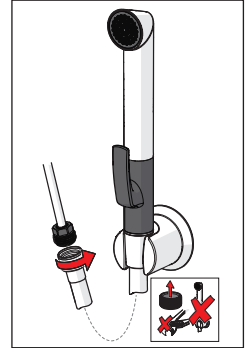
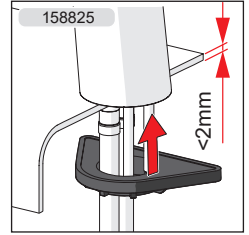
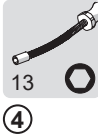
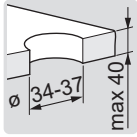
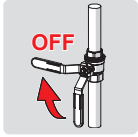
mpi.oras.com/4860U

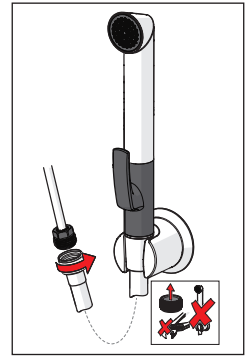
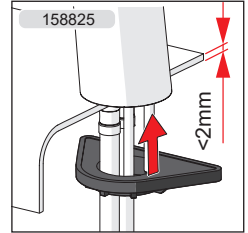
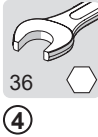
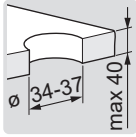
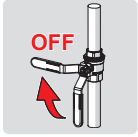
4840U

I (ISO 3822)
 EN 817
 50 - 1000 kPa
 0.212 l/s (300 kPa)
 max. +80°C

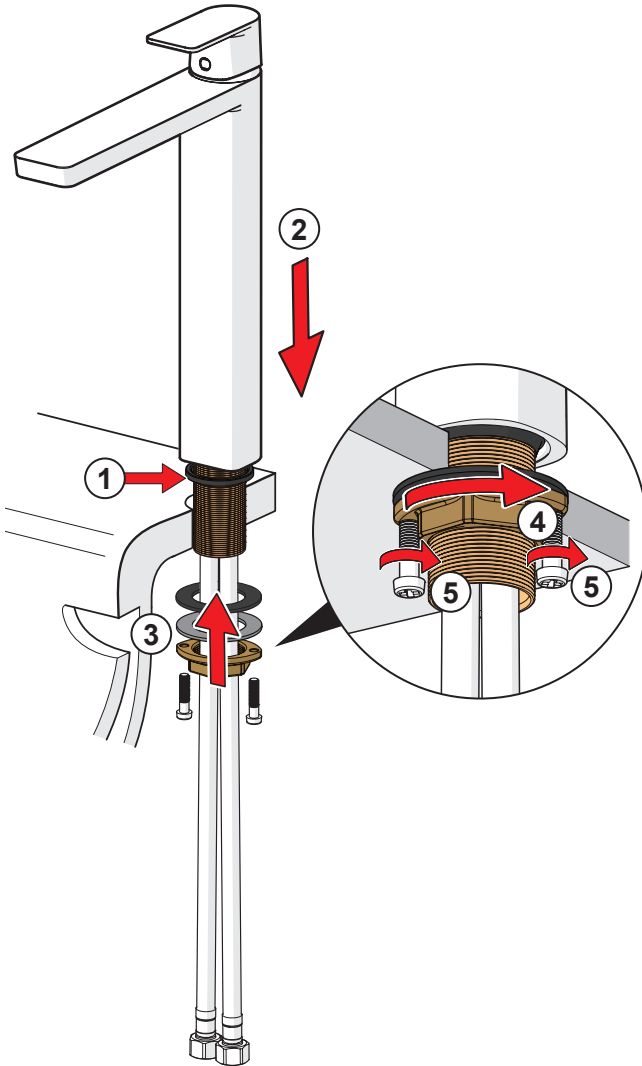


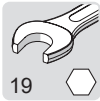
mpi.oras.com/4840U





1



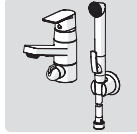


19

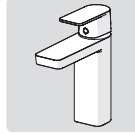
1



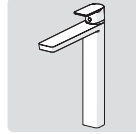
max.
1600 kPa



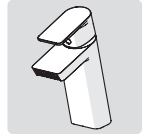
A



A

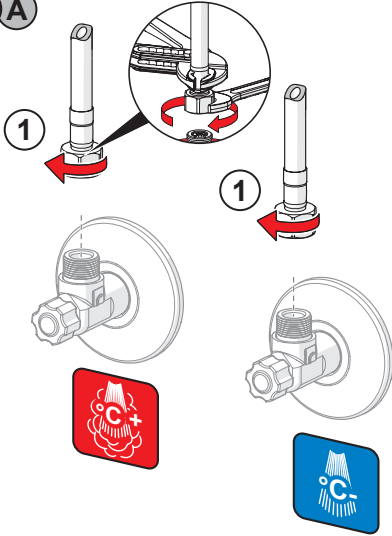


A

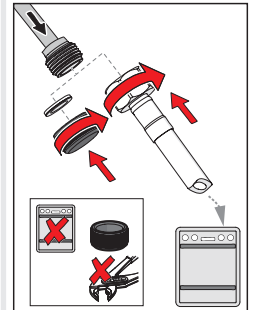
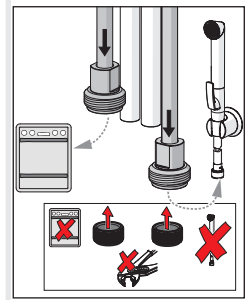
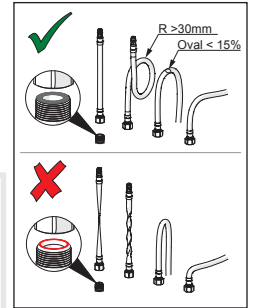
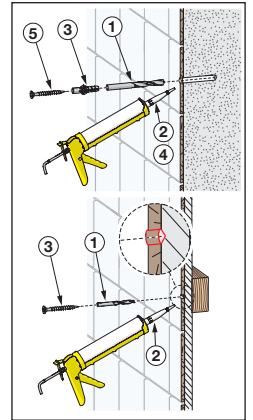
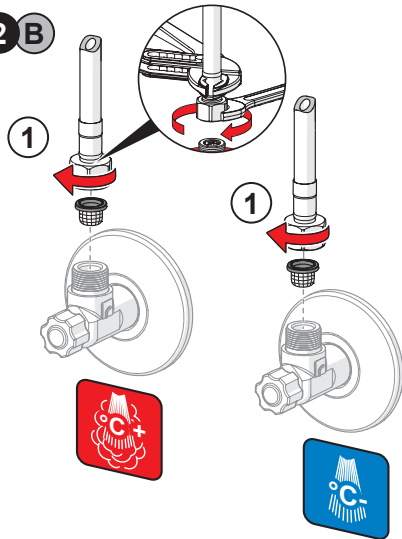


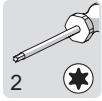
B

2 A

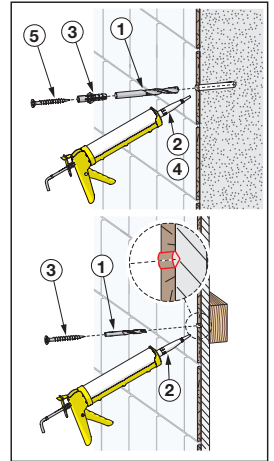
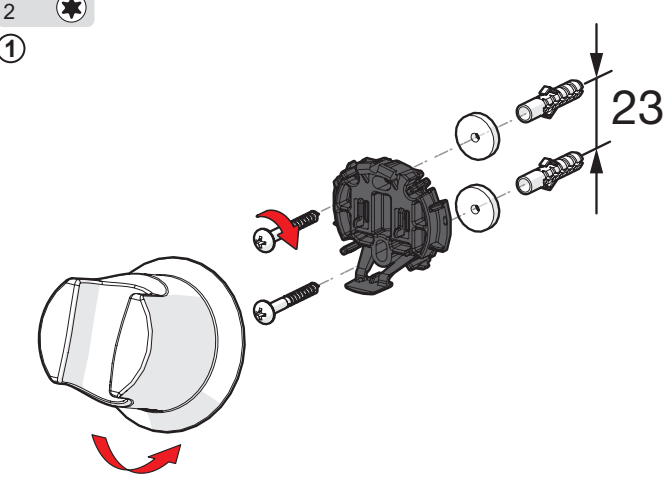


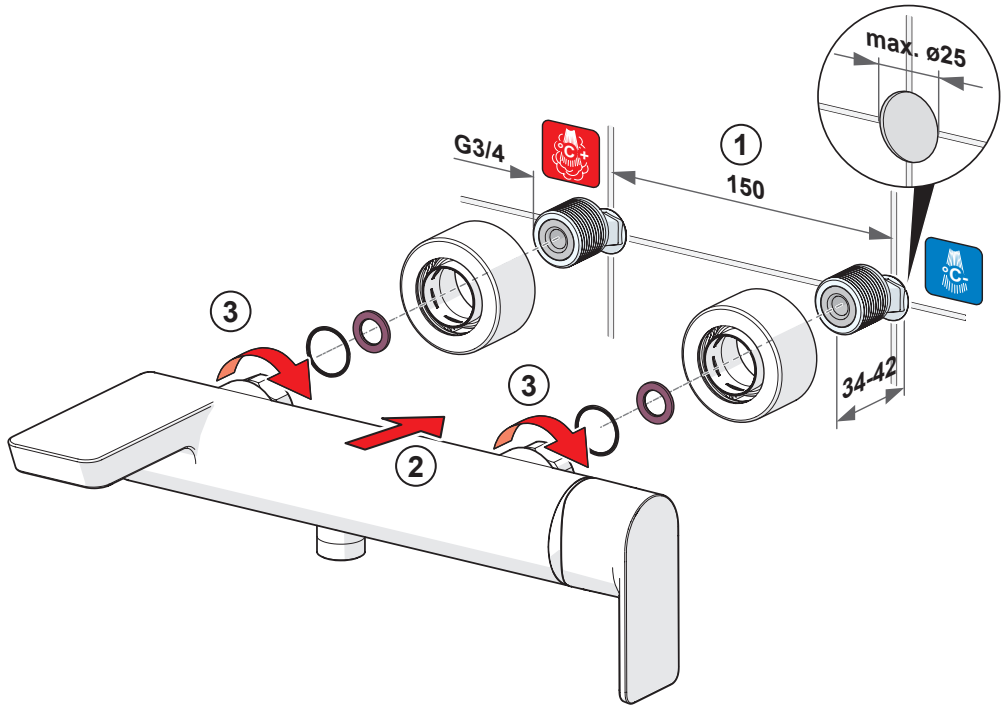
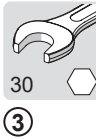
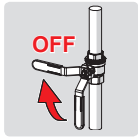
2 B

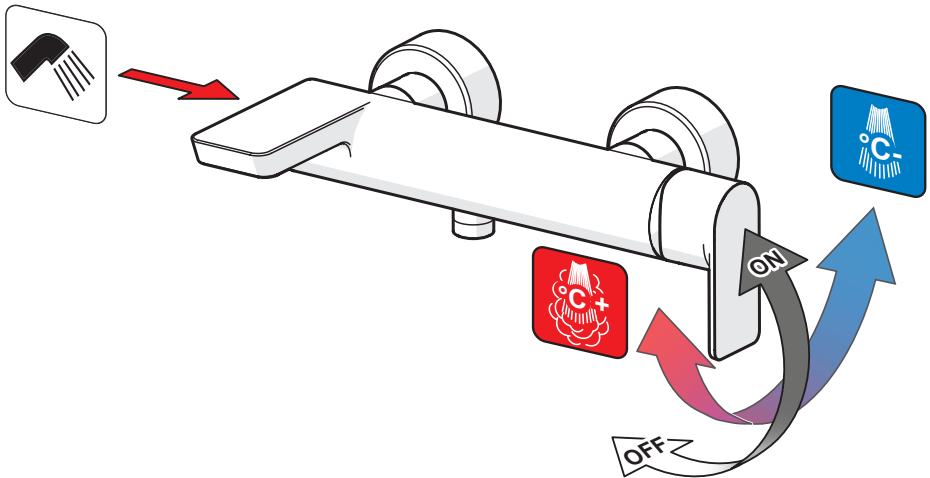
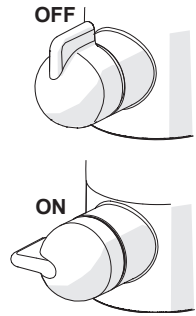
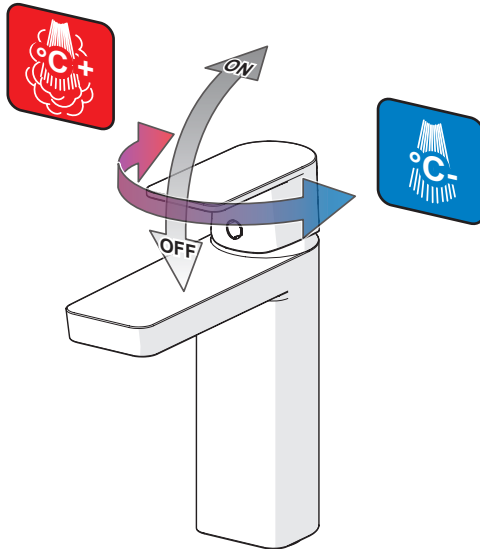


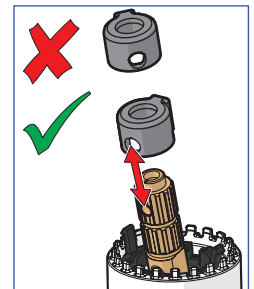
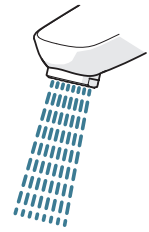
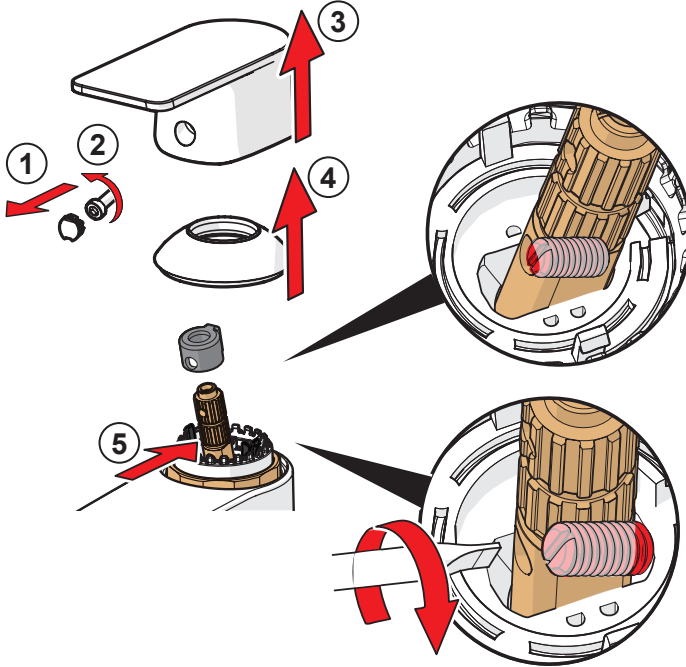
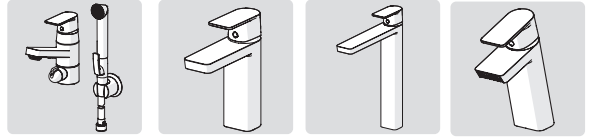
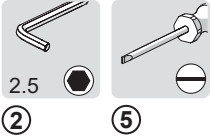
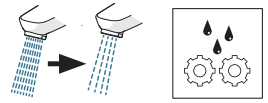


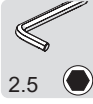
①









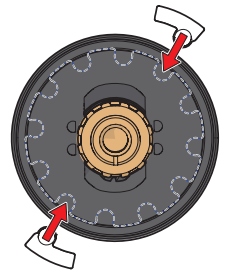
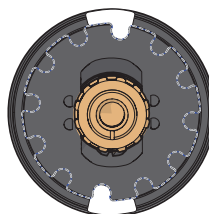
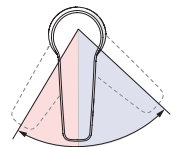
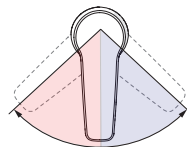
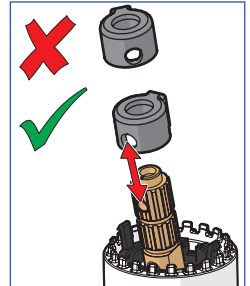
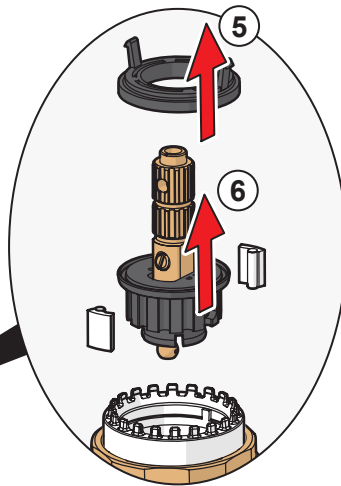
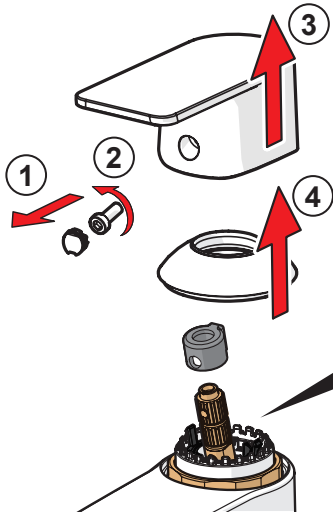
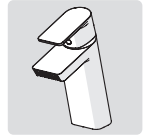
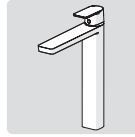
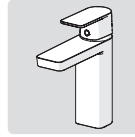


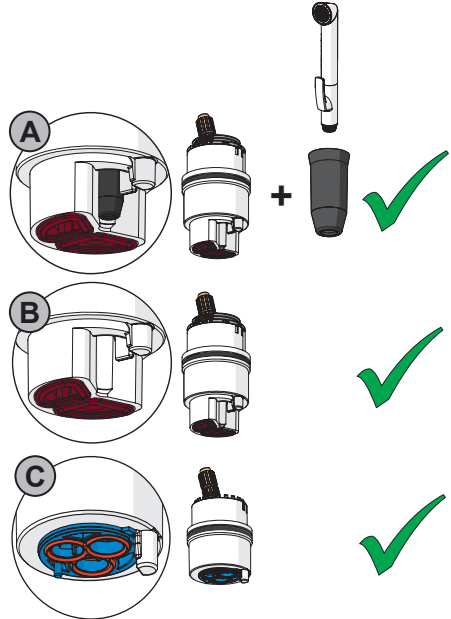
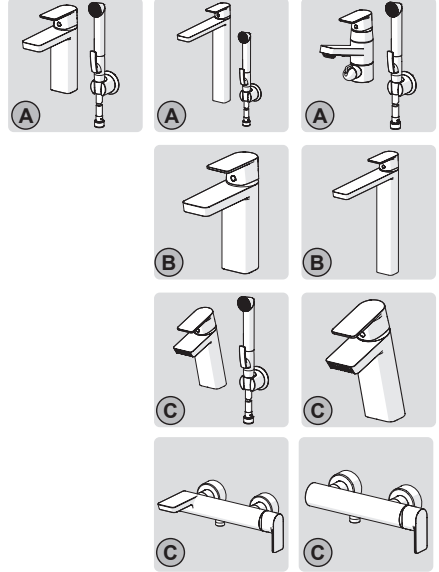
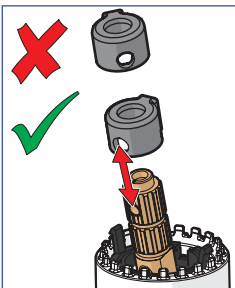
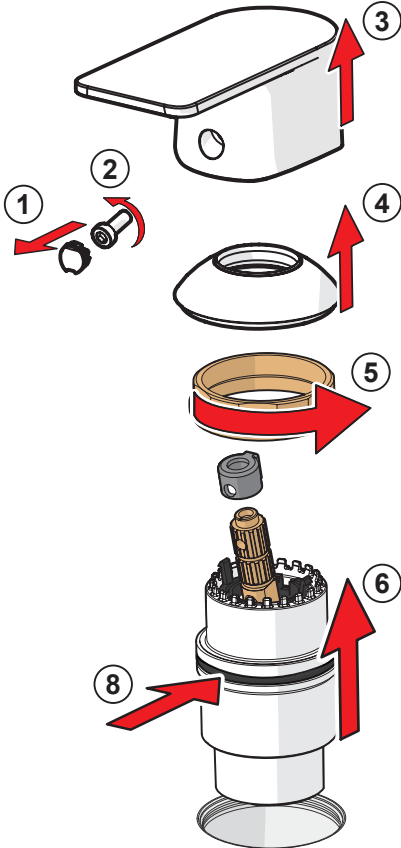
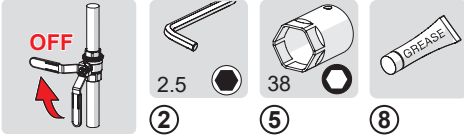
2.5

②



⑤ ⑥







A1



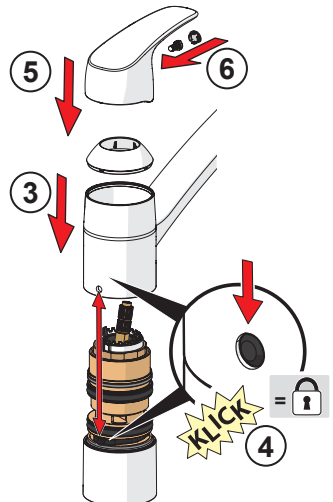
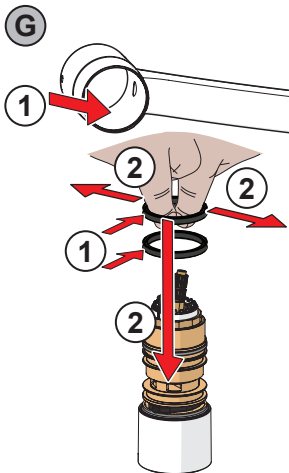
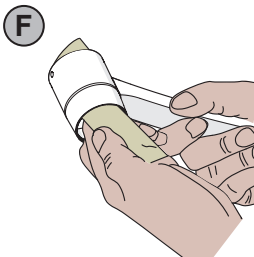
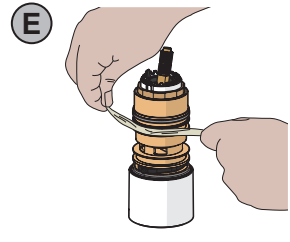
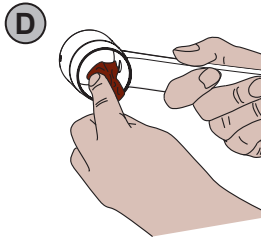
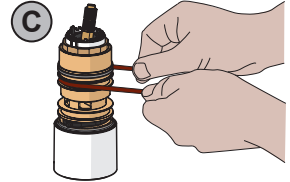
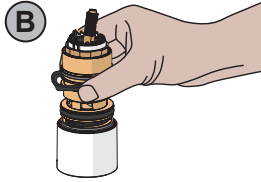
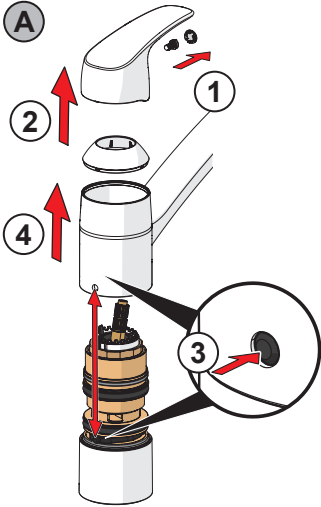
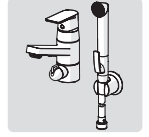
G1

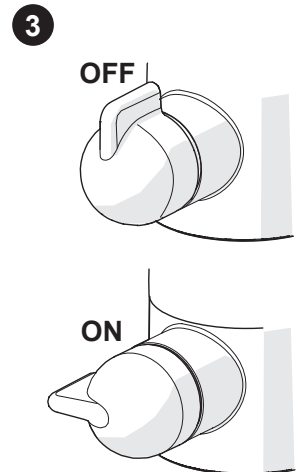
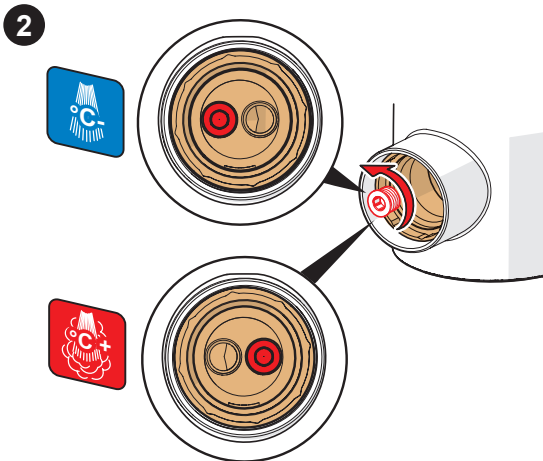
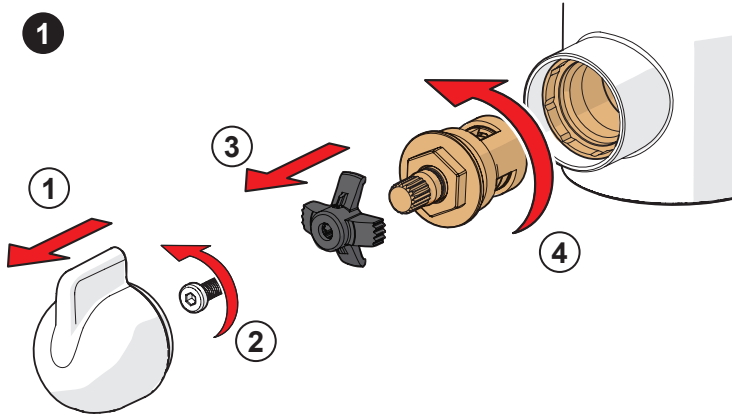
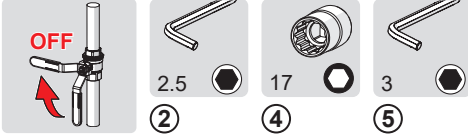


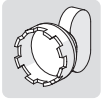
G2



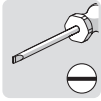
G6







A1



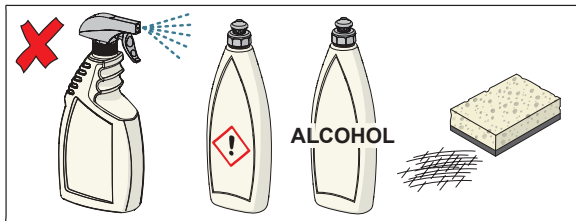
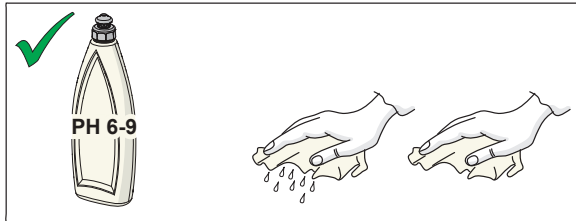
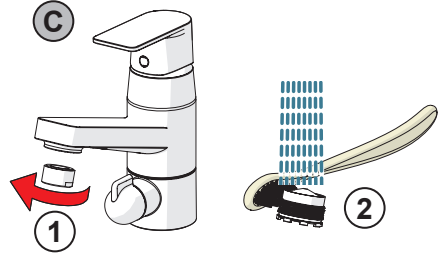
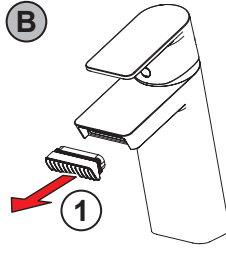
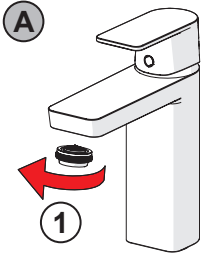
B1



C1



2



CLEANING.ORAS.COM

Oras Group is a powerful European provider of sanitary fittings: the market leader in the Nordics and a leading company in Continental Europe. The company's mission is to make the use of water easy and sustainable and its vision is to become the European leader of advanced sanitary fittings. Oras Group has two strong brands: Oras and Hansa.

The Group's head office is located in Rauma, Finland, and the Group has three manufacturing sites: Kralovice (Czech Republic), Olesno (Poland) and Rauma (Finland). Oras Group employs approximately 1,200 people in twenty countries. Oras Group is owned by Oras Invest, a family company and an industrial owner.

ORAS Ltd
Isometsäntie 2, P.O. Box 40
FI-26101 Rauma
Tel. +358 2 83 161
Fax +358 2 831 6300
info.finland@oras.com
www.oras.com



943439-10-21