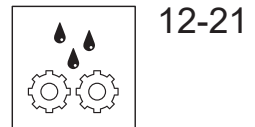
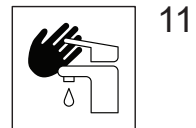
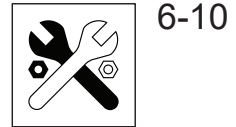




Oras

Installation and maintenance guide



Oras App



apps.oras.com

Apple and the Apple logo are trademarks of Apple Inc., registered in the U.S. and other countries. App Store is a service mark of Apple Inc., registered in the U.S. and other countries.

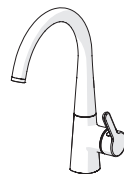
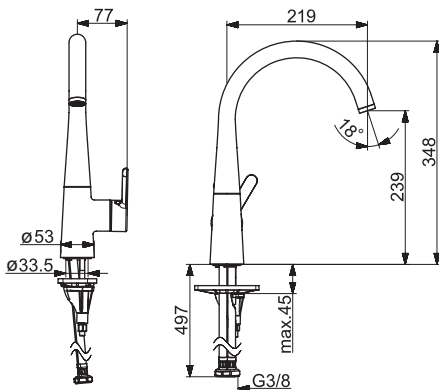
Google Play and the Google Play logo are trademarks of Google Inc.

The Bluetooth® word mark and logos are registered trademarks owned by the Bluetooth SIG, Inc. and any use of such marks by Oras Group is under license. Other trademarks and trade names are those of their respective owners.



3030F

I (ISO 3822)
 EN 817
 50 - 1000 kPa
 0.2 l/s (300 kPa)
 300 kPa (0.2 l/s)
 max. +80°C

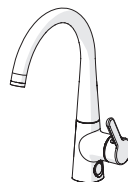
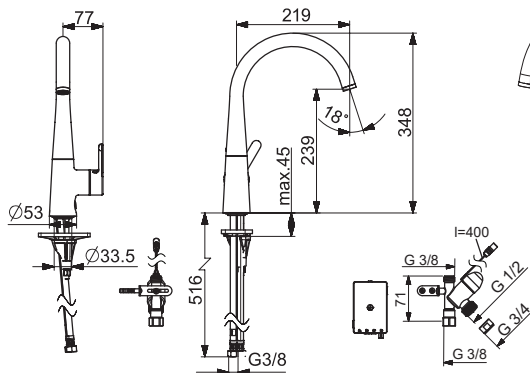


mpi.oras.com/3030F

3035F

I (ISO 3822)
 EN 817, EN 15091
 50 - 1000 kPa
 0.2 l/s (300 kPa)
 300 kPa (0.2 l/s)
 max. +70°C

IP 55
 AA 1.5 V Lithium x 2

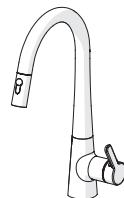
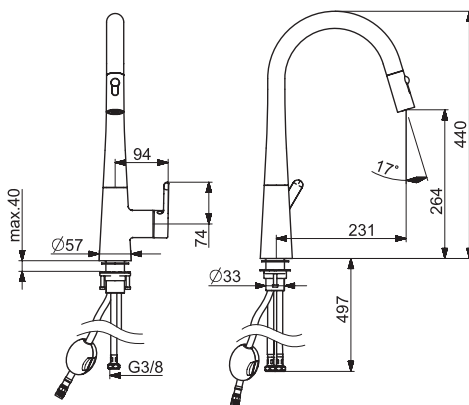


mpi.oras.com/3035F

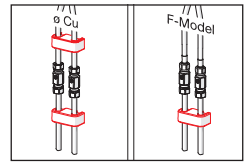
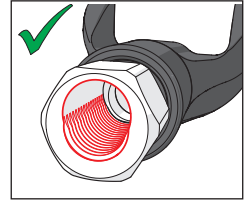
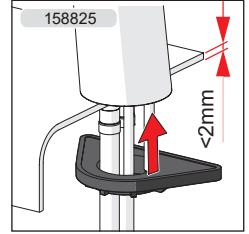
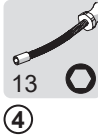
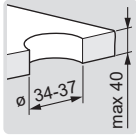
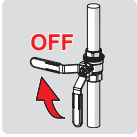
CE (EMC 2014/30/EU)

3032F

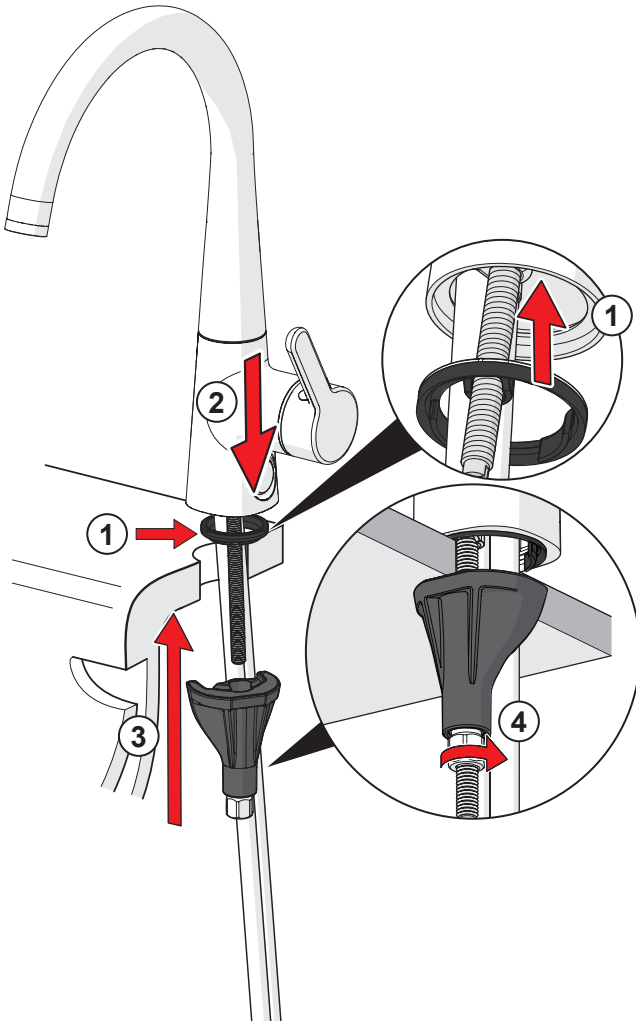
I (ISO 3822)
 EN 817
 50 - 1000 kPa
 0.2 l/s (300 kPa)
 300 kPa (0.2 l/s)
 max. +80°C

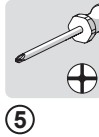
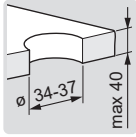
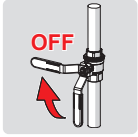


mpi.oras.com/3032F



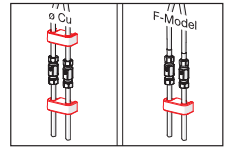
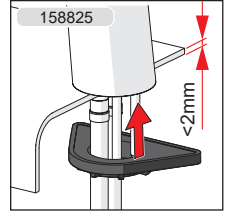
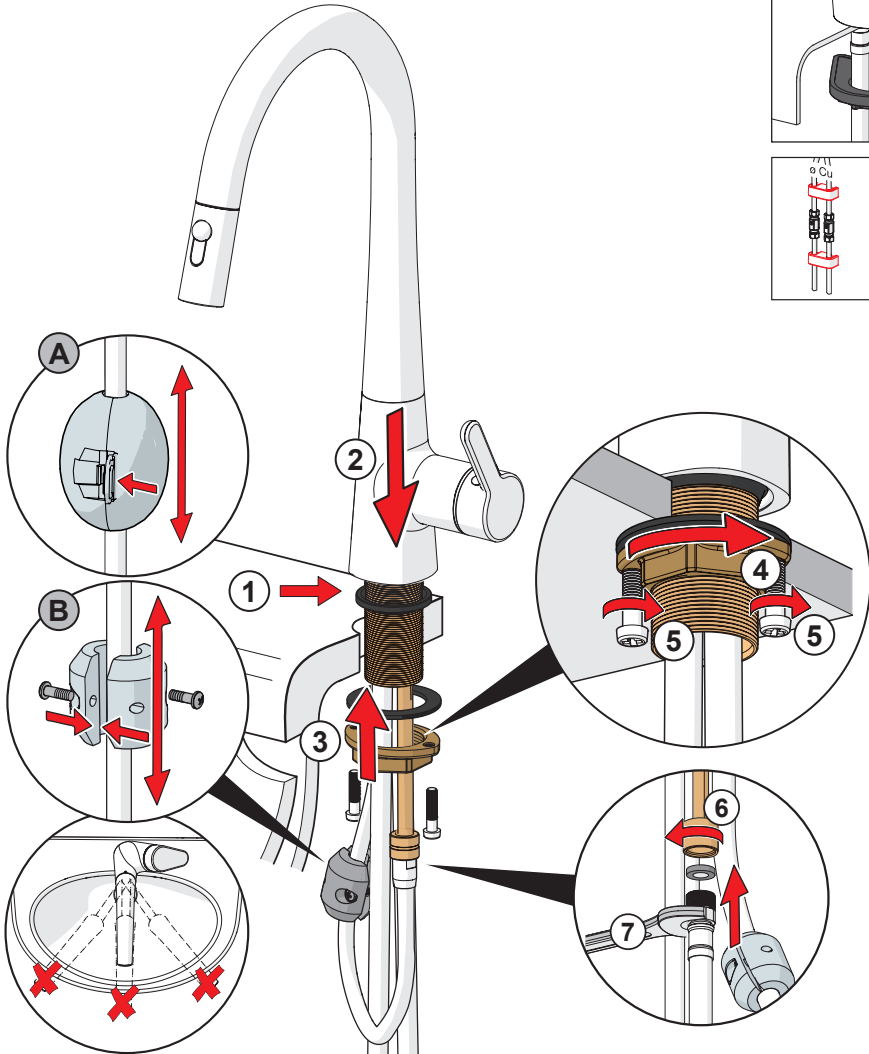
1





max.
1600 kPa

1

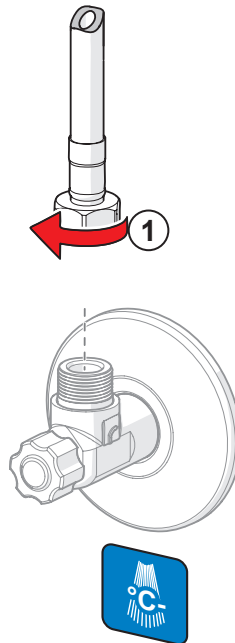
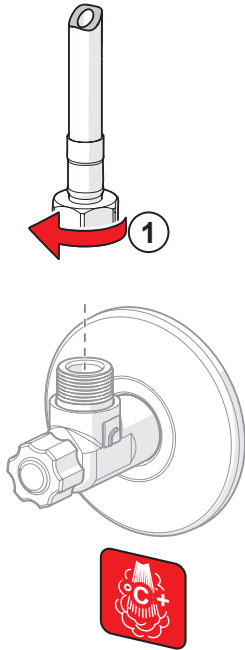
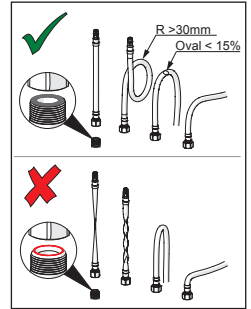


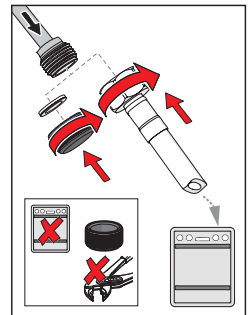
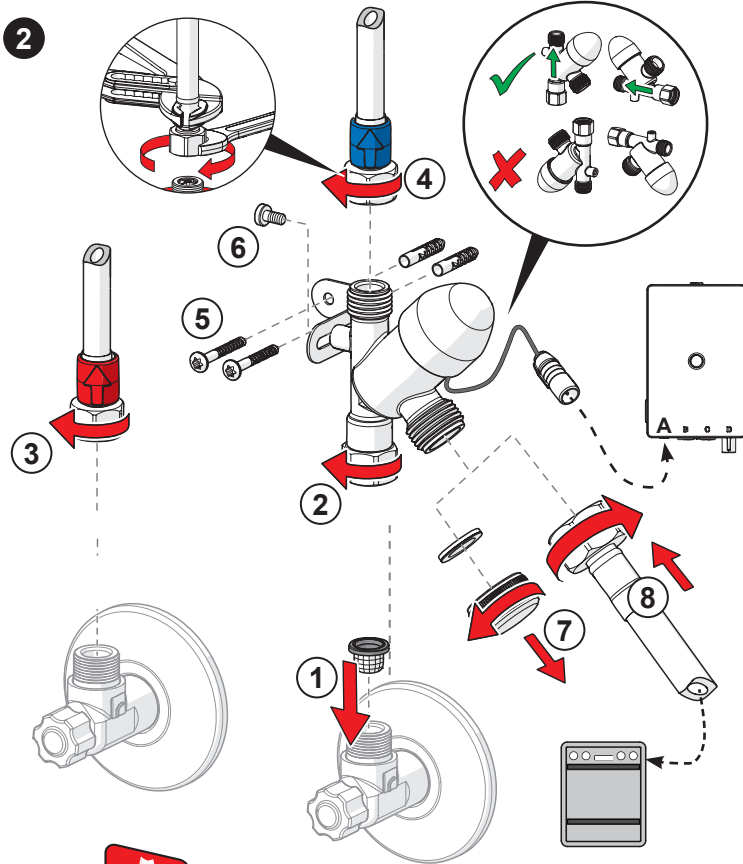
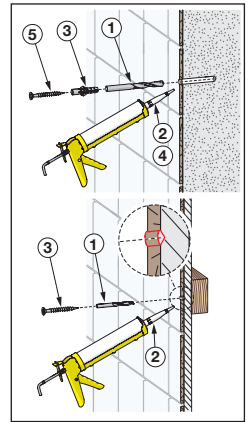
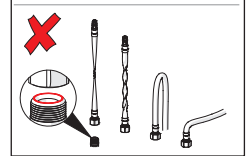
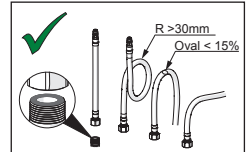
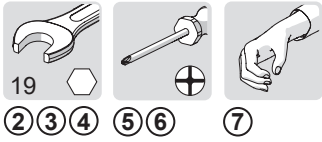


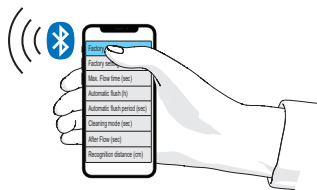
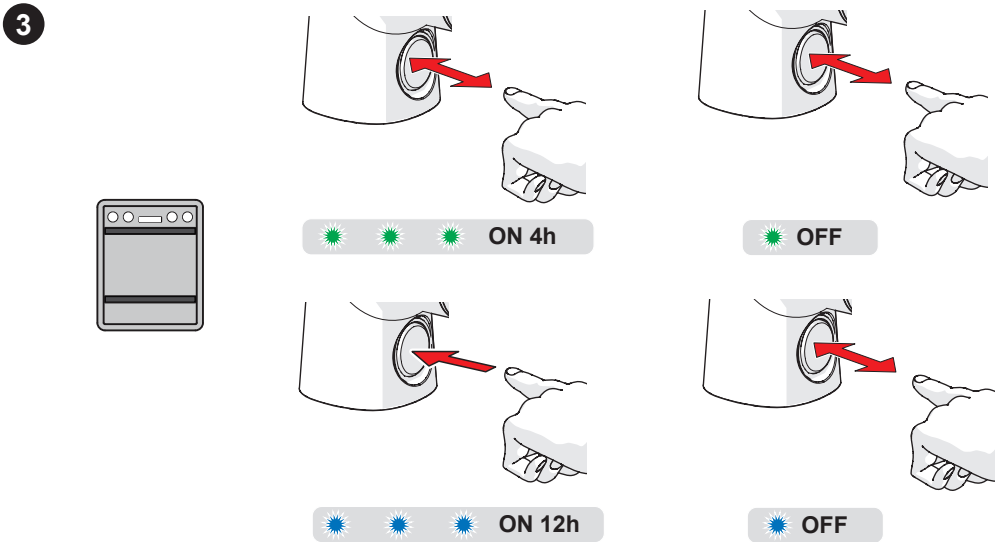
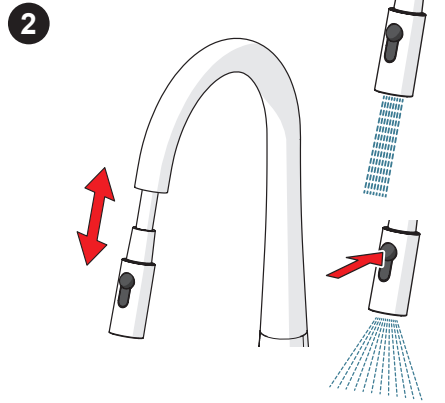
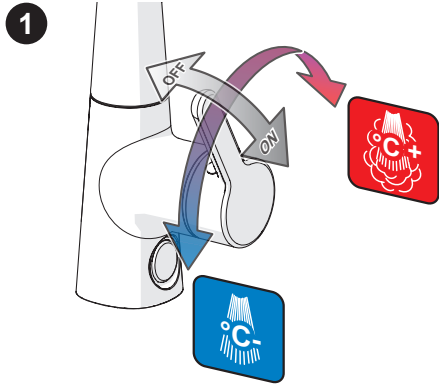
19

①

②







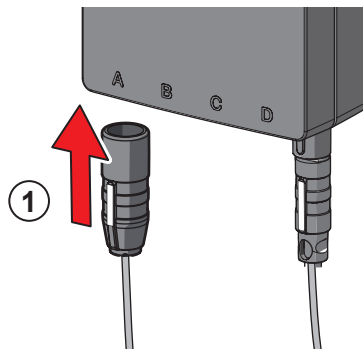
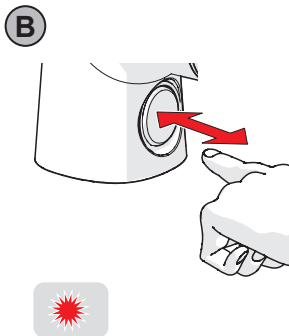
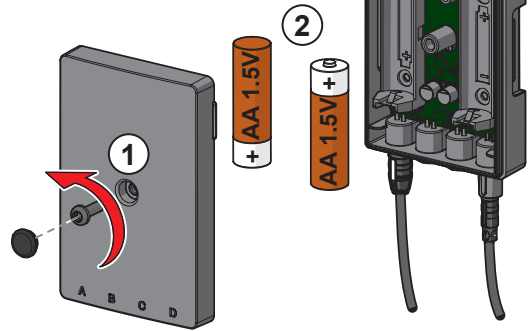
Oras App
 Download on the
App Store
 GET IT ON
Google Play

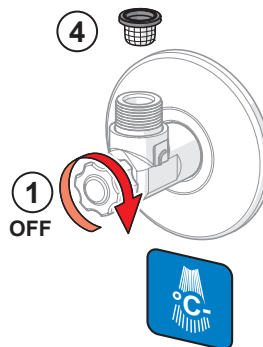
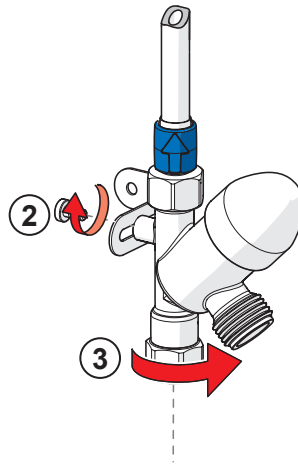
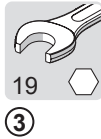
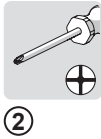
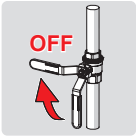
apps.oras.com

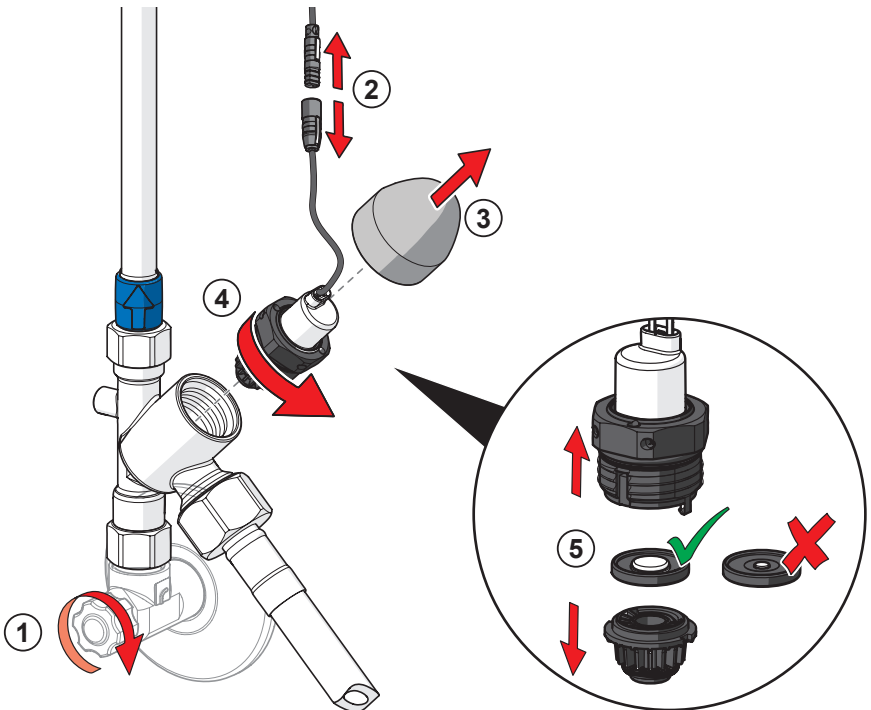
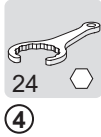
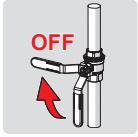


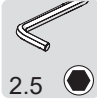
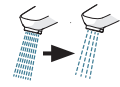


AA 1.5 V Lithium x 2



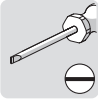




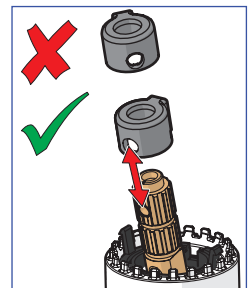
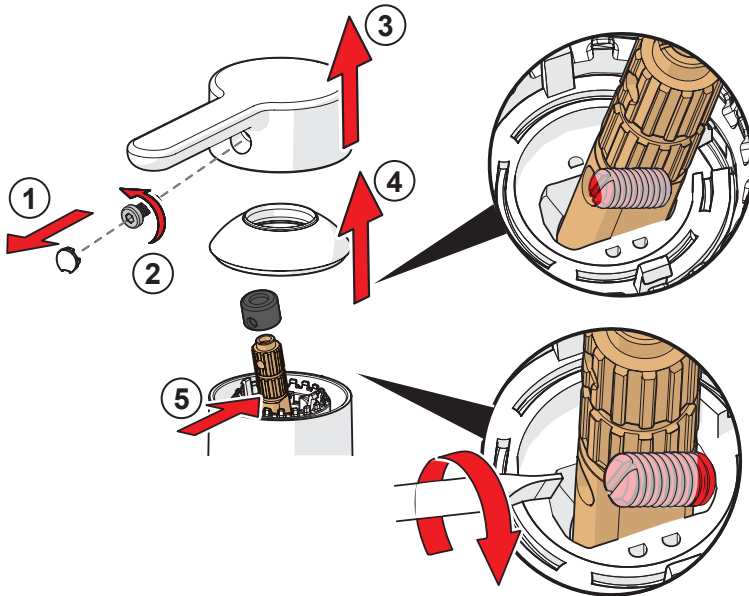


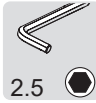
2.5

②



⑤



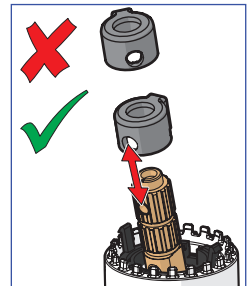
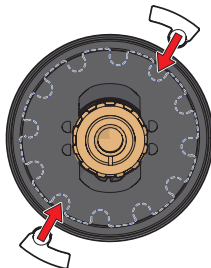
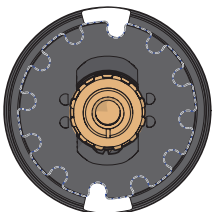
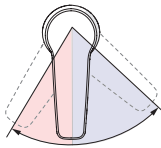
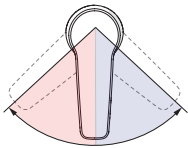
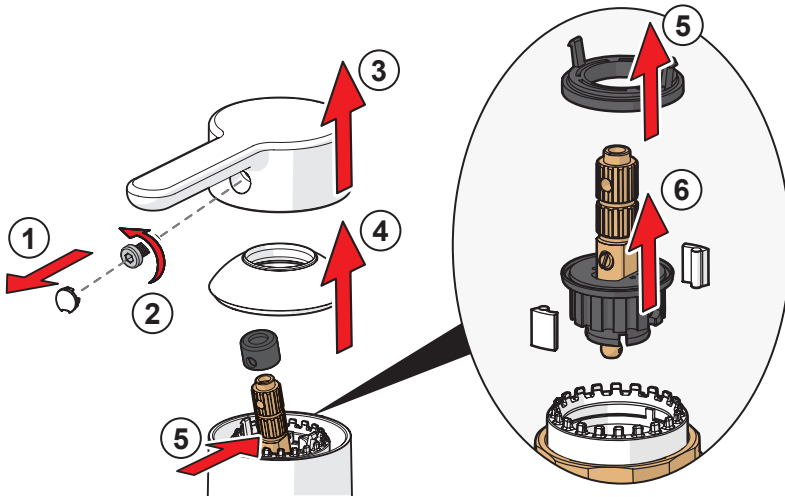


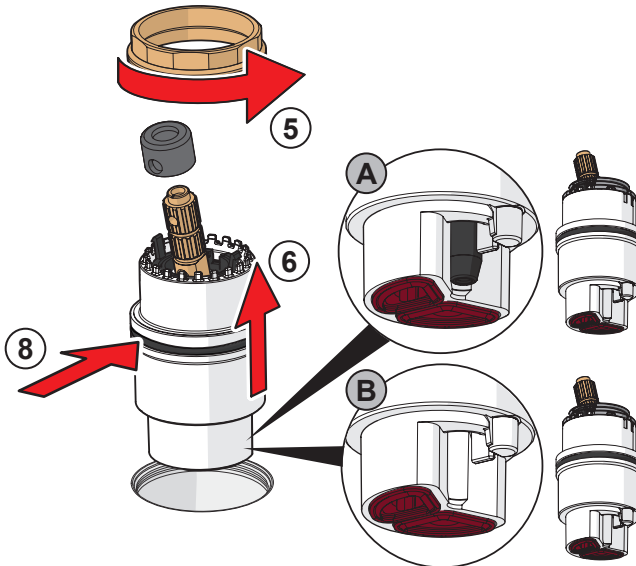
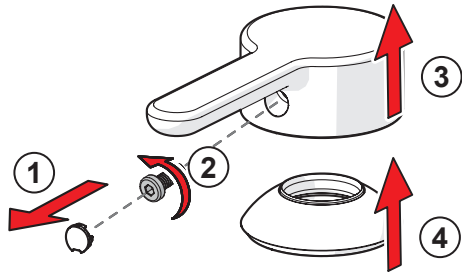
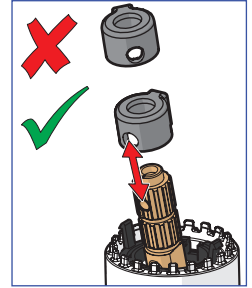
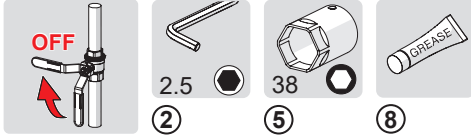
2.5

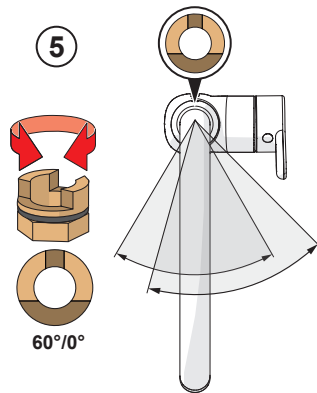
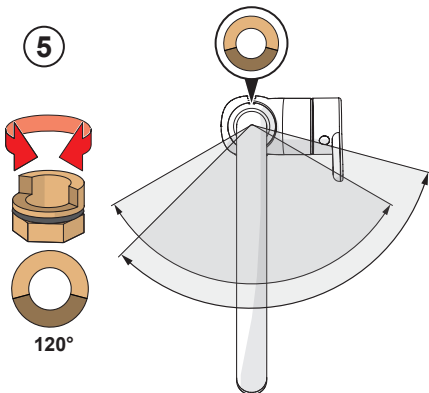
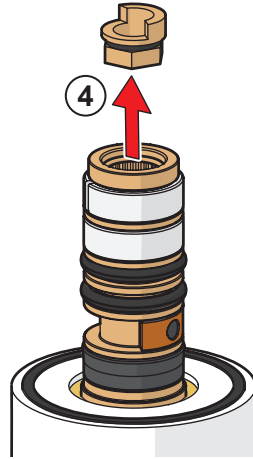
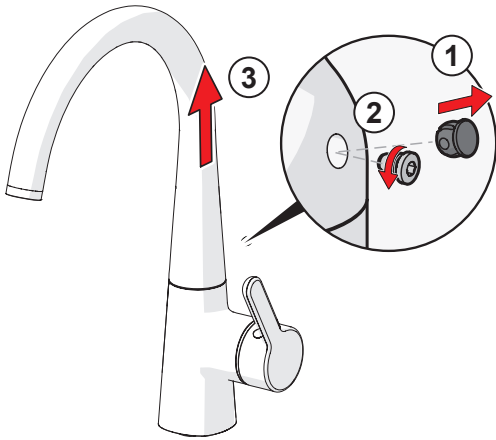
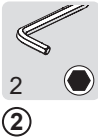
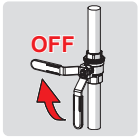
②



⑤ ⑥

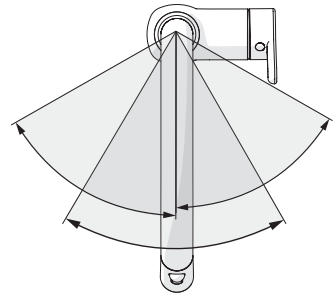
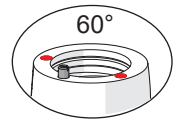
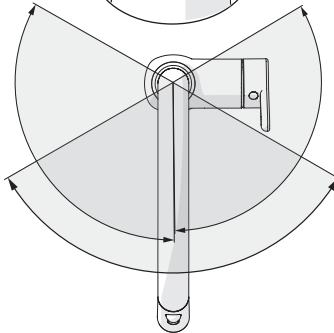
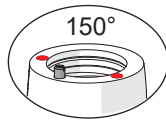
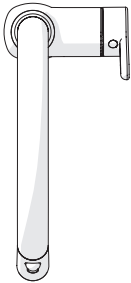
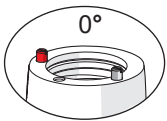
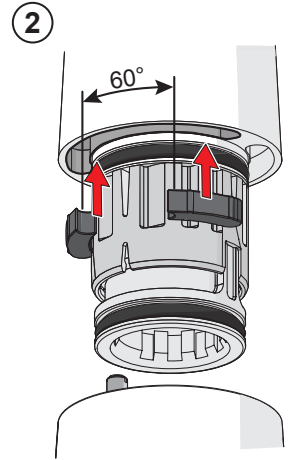
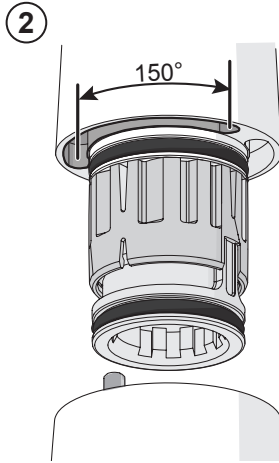
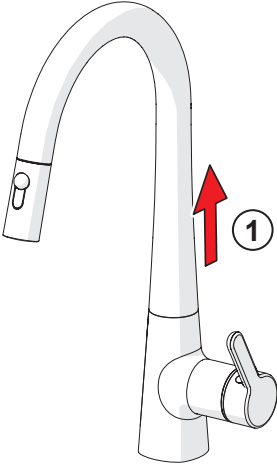
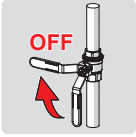


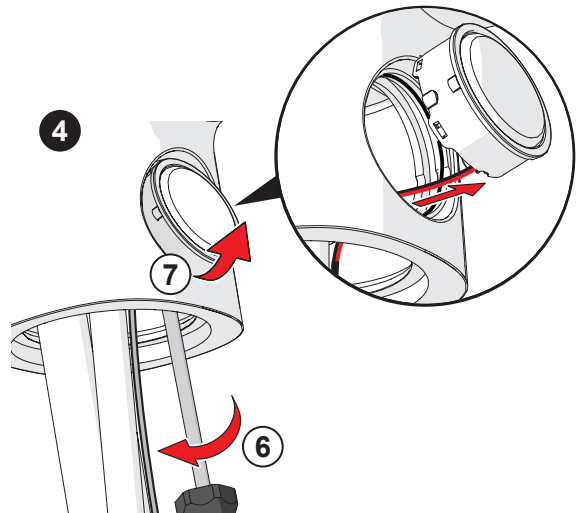
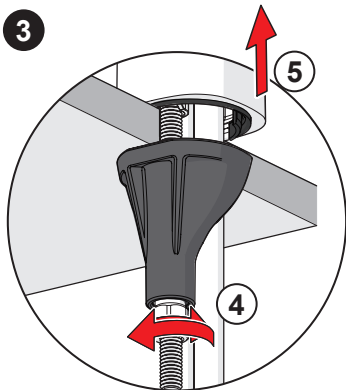
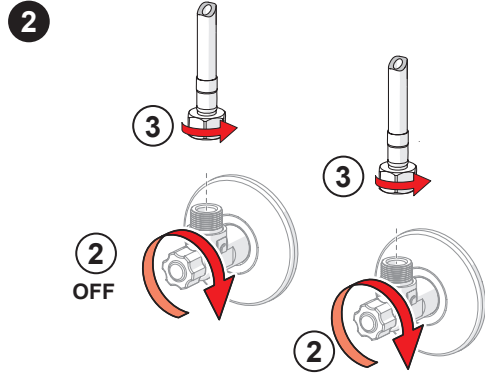
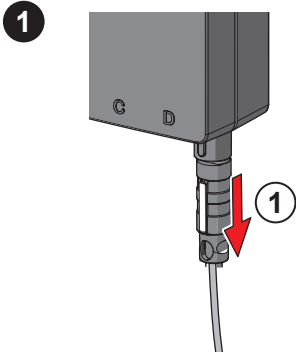
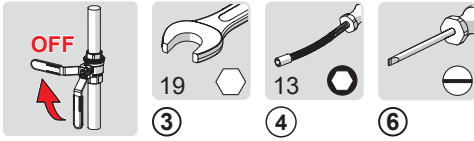


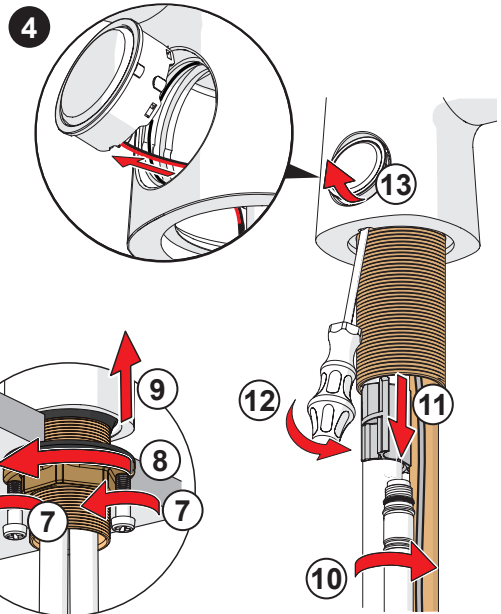
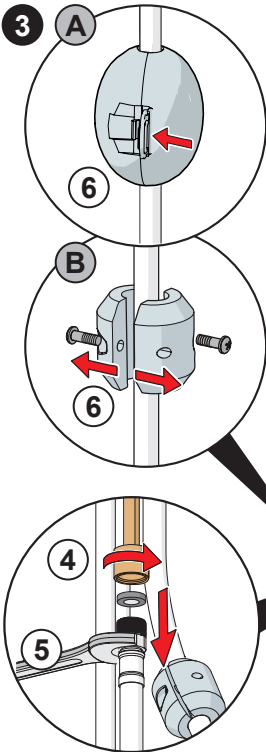
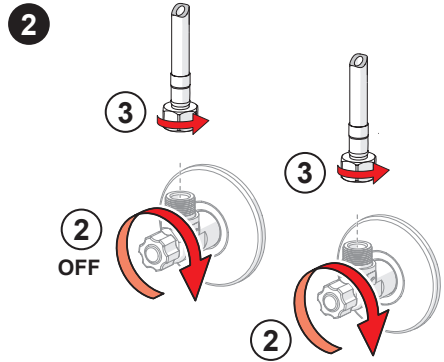
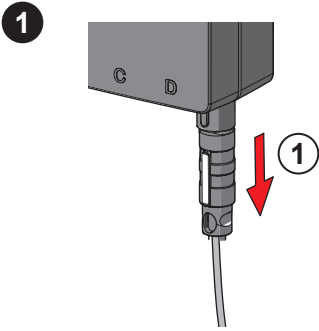
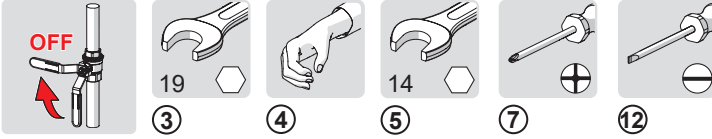


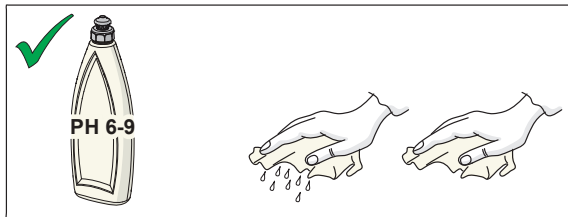
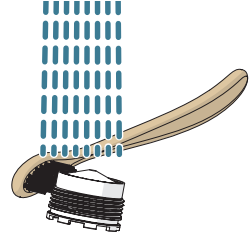
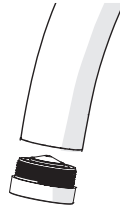
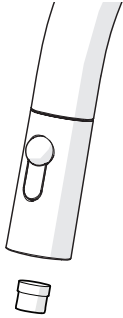
159670/10

159667/10









cleaning.oras.com

Oras Group is a powerful European provider of sanitary fittings: the market leader in the Nordics and a leading company in Continental Europe. The company's mission is to make the use of water easy and sustainable and its vision is to become the European leader of advanced sanitary fittings. Oras Group has two strong brands: Oras and Hansa.

The Group's head office is located in Rauma, Finland, and the Group has three manufacturing sites: Kralovice (Czech Republic), Olesno (Poland) and Rauma (Finland). Oras Group employs approximately 1,200 people in twenty countries. Oras Group is owned by Oras Invest, a family company and an industrial owner.

ORAS Ltd
Isometsäntie 2, P.O. Box 40
FI-26101 Rauma
Tel. +358 2 83 161
Fax +358 2 831 6300
info.finland@oras.com
www.oras.com



943497-06-23