



ETA-Danmark A/S
Göteborg Plads 1
DK-2150 Nordhavn
Tel. +45 72 24 59 00
Internet www.etadanmark.dk

Authorised and notified
according to Article 29 of the
Regulation (EU)
No 305/2011 of the European
Parliament and of the Council
of 9 March 2011



European Technical Assessment ETA-21/0201 of 2021/03/24

I General Part

Technical Assessment Body issuing the ETA and designated according to Article 29 of the Regulation (EU) No 305/2011: ETA-Danmark A/S

Trade name of the construction product:

Bostik Fire Bond Gap Seal+

Product family to which the above construction product belongs:

Fire Stopping and Sealing Product:
• Linear Joint and Gap Seals

Manufacturer:

Bostik AB
Box 903
SE-251 09
Helsingborg
Sweden

Manufacturing plant:

A/001

This European Technical Assessment contains:

17 pages including 1 annex which form an integral part of the document

This European Technical Assessment is issued in accordance with Regulation (EU) No 305/2011, on the basis of:

EAD 350141-00-1106, September 2017.

This version replaces:

-

Translations of this European Technical Assessment in other languages shall fully correspond to the original issued document and should be identified as such.

Communication of this European Technical Assessment, including transmission by electronic means, shall be in full. However, partial reproduction may be made, with the written consent of the issuing Technical Assessment Body. Any partial reproduction has to be identified as such.

Table of Contents

I.	SPECIFIC PARTS OF THE EUROPEAN TECHNICAL ASSESSMENT	4
1	Technical description of the product	4
2	Specification of the intended uses of the product in accordance with the applicable European Assessment Document (Hereinafter EAD): ETAG 026-3	5
3	Performance of the product and references to the methods used for its assessment	6
4	ASSESSMENT AND VERIFICATION OF CONSTANCY OF PERFORMANCE (HEREINAFTER AVCP) SYSTEM APPLIED, WITH REFERENCE TO ITS LEGAL BASE	7
5	Technical details necessary for the implementation of the AVCP system, as provided for in the applicable EAD	7
	ANNEX A – Resistance to Fire Classification – Bostik Fire Bond Gap Seal+	8
A.1	Rigid wall constructions with wall thickness of minimum 200 mm	8
A.1.1	Linear joint or gap seal, vertically oriented with sealant to the exposed face	8
A.1.2	Linear joint or gap seal, vertically oriented with sealant to both faces	9
A.2	Rigid wall constructions with wall thickness of minimum 150 mm	10
A.2.1	Linear joint or gap seal, vertically oriented with sealant to both faces	10
A.2.2	Linear joint or gap seal, horizontally oriented at the head of walls, with sealant to both faces	12
A.3	Flexible wall constructions up to 3m high, with wall thickness of minimum 100 mm	13
A.3.1	Linear joint or gap seal, vertically oriented with sealant to both faces	13
A.3.2	Linear joint or gap seal, horizontal linear joint seals, between the head of flexible walls minimum 100 mm thick and rigid floors	14
A.3.3	Linear joint or gap seal, vertically oriented with sealant to the exposed face	15
A.4	Rigid floor constructions according to 1.2.1 with wall thickness of minimum 150 mm	16
A.4.1	Linear joint or gap seal, between floor slabs or between floor slab and wall with sealant to the top face of the floor only	16
A.4.2	Linear joint or gap seal, between floor slabs or between floor slab and wall with sealant to the both faces of the floor	17

I. SPECIFIC PARTS OF THE EUROPEAN TECHNICAL ASSESSMENT

1 Technical description of the product

- 1) Bostik Fire Bond Gap Seal+ is a sealant used to form linear gap seals where gaps are present in wall and floor constructions and linear joint seals where wall and floor constructions abut.
- 2) The Bostik Fire Bond Gap Seal+ is supplied in liquid form contained within 310 ml cartridges, 600ml foils or in 5, 10, 15 or 19 litre tubs. The sealant is gunned or trowelled into the aperture in or between the separating element/elements, to a specified depth utilising various backing materials.
- 3) The applicant has presented a declaration that the product and/or constituents of the product contains no substances which have been classified as dangerous according to Directive 67/548/EEC and Regulation (EC) No. 1272/2008 and listed in the 'indicative list on dangerous substances' of the EGDS – taking into account the installation conditions of the construction product and the release scenarios resulting from there.

In addition to the specific clauses relating to dangerous substances contained in this European Technical Assessment, there may be other requirements applicable to the products falling within its scope (e.g. transposed European legislation and national laws, regulations and administrative provisions). In order to meet the provisions of the Construction Products Regulation, these requirements need also to be complied with, when and where they apply.

- 4) The use category of Bostik Fire Bond Gap Seal+ in relation to BWR 3 (Health, hygiene and environment) is IA1, S/W3.

2 Specification of the intended uses of the product in accordance with the applicable European Assessment Document (Hereinafter EAD): ETAG 026-3

Detailed information and data is given in Annex A.

The intended use of system Bostik Fire Bond Gap Seal+ is to reinstate the fire resistance performance of gaps in and joints in and between flexible wall and rigid wall constructions, gaps in and joints between rigid floor constructions.

- 1) The specific elements of construction that the system Bostik Fire Bond Gap Seal+ may be used to provide a gap or joint seal in, are as follows:

Flexible walls: The wall must have a minimum thickness of 100 mm and comprise steel or timber studs lined on both faces with minimum 2 layers of 12.5 mm thick boards.

Rigid walls: The wall must have a minimum thickness of 100 mm and comprise concrete, aerated concrete or masonry, with a minimum density of 650 kg/m³.

Rigid floors: The floor must have a minimum thickness of 150 mm and comprise aerated concrete or concrete with a minimum density of 650 kg/m³.

The supporting construction must be classified in accordance with EN 13501-2 for the required fire resistance period.

- 2) The system Bostik Fire Bond Gap Seal+ may be used to provide a linear joint or gap seal with specific supporting constructions and substrates (for details see Annex A).
- 3) The maximum permitted joint/gap width for system Bostik Fire Bond Gap Seal+ is 100 mm.
- 4) The maximum movement capability of system Bostik Fire Bond Gap Seal+ is $\leq 7.5\%$
- 5) The provisions made in this European Technical Assessment are based on an assumed working life of the Bostik Fire Bond Gap Seal+ of 10 years, provided that the conditions laid down in the manufacturer's instructions and datasheet for the packaging/transport/ storage/installation/ use/repair are met. The indications given on the working life cannot be interpreted as a guarantee given by the producer or the Technical Assessment Body but are to be regarded only as a means for choosing the right products in relation to the expected economically reasonable working life of the works.
- 6) Type Z₁: Intended for use at internal conditions with high or other humidity classes, excluding temperatures below 0°C.

3 Performance of the product and references to the methods used for its assessment

Product-type: Sealant		Intended use: Linear Joint & Gap Seal
	Basic Requirement	Performance
BWR 1 Mechanical resistance and stability		
	None	Not relevant
BWR 2 Safety in case of fire		
	Reaction to fire	No performance assessed
	Resistance to fire	Annex A
BWR 3 Hygiene, health and environment		
	Air permeability (material property)	No performance assessed
	Water permeability (material property)	No performance assessed
	Release of dangerous substances	Declaration of manufacturer
BWR 4 Safety in use		
	Mechanical resistance and stability	No performance assessed
	Resistance to impact/movement	No performance assessed
	Adhesion	No performance assessed
BWR 5 Protection against noise		
	Airborne sound insulation	No performance assessed
	Impact sound insulation	No performance assessed
BWR 6 Energy economy and heat retention		
	Thermal properties	No performance assessed
	Water vapour permeability	No performance assessed
General aspects relating to fitness for use		
	Durability and serviceability	Z ₁

4 ASSESSMENT AND VERIFICATION OF CONSTANCY OF PERFORMANCE (HEREINAFTER AVCP) SYSTEM APPLIED, WITH REFERENCE TO ITS LEGAL BASE

According to the decision 1999/454/EC – Commission Decision of date 22nd June 1999 on on the procedure for attesting the conformity of construction products pursuant to Article 20(2) of Council Directive 89/106/EEC as regards fire stopping, fire sealing and fire protective products, published in the Official Journal of the European Union (OJEU) L178/52 of 14/07/1999, see <http://eur-lex.europa.eu/JOIndex.do>) of the European Commission¹, as amended, the system(s) of assessment and verification of constancy of performance (see Annex V to Regulation (EU) No 305/2011) given in the following table(s) applies (apply).

Product(s)	Intended use(s)	Level(s) or class(es)	System(s)
Fire stopping and Fire Sealing Products	For fire compartmentation and/or fire protection or fire performance	Any	1

5 Technical details necessary for the implementation of the AVCP system, as provided for in the applicable EAD

Technical details necessary for the implementation of the AVCP system are laid down in the control plan deposited at ETA-Danmark A/S prior to CE marking

Issued in Copenhagen on 2021-03-24 by



Thomas Bruun

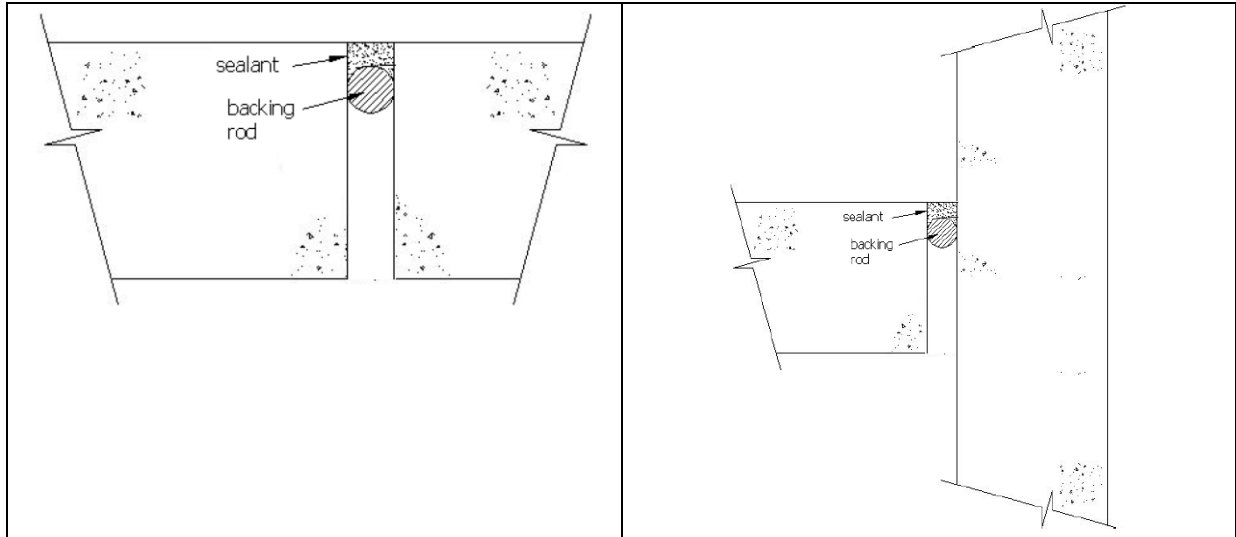
Managing Director, ETA-Danmark

¹ Official Journal of the European Communities L178/52 of 14/7/1999

ANNEX A – Resistance to Fire Classification – Bostik Fire Bond Gap Seal+

A.1 Rigid wall constructions with wall thickness of minimum 200 mm

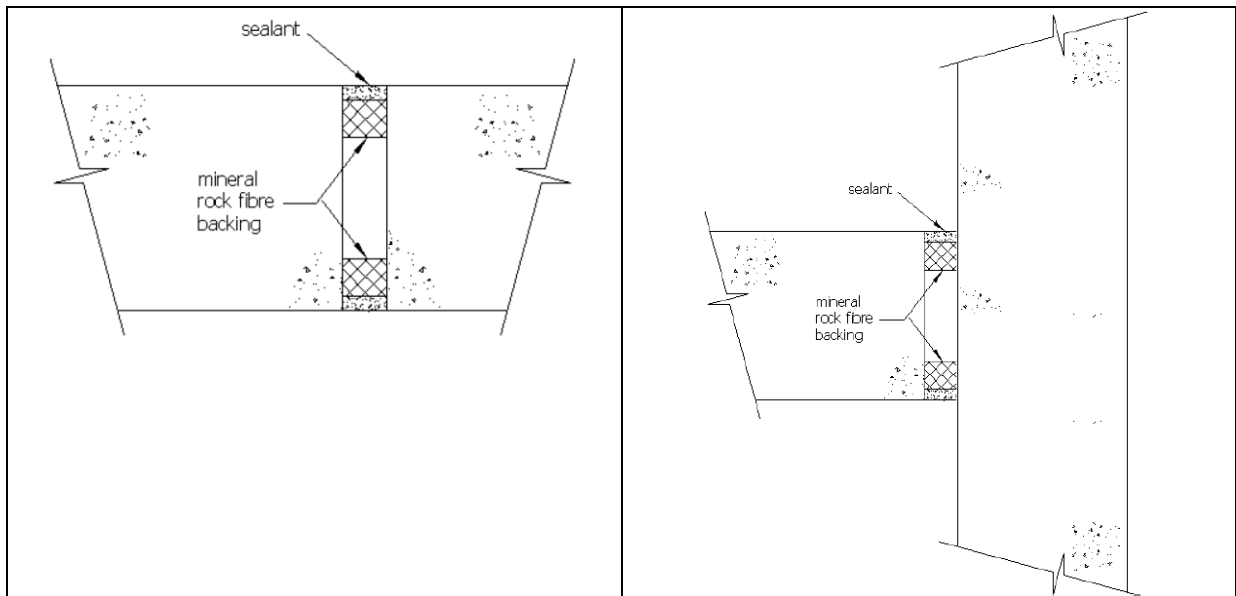
A.1.1 Linear joint or gap seal, vertically oriented with sealant to the exposed face



A.1.1.1

Bostik Fire Bond Gap Seal+ Linear Joint Seals in Rigid Walls 200 mm thick (min.) – Sealant on the Exposed/Fire Side of the Seal Only			
Substrate	Depth (mm)	Backing	Classification
Masonry/ concrete	25 min.	Polyethylene rod	E 240 – V – X – F – W 30 EI 60 – V – X – F – W 30
	20 min.		E 240 – V – X – F – W 20 EI 90 – V – X – F – W 20
	10 min.		E 240 – V – X – F – W 10 EI 180 – V – X – F – W 10

A.1.2 Linear joint or gap seal, vertically oriented with sealant to both faces

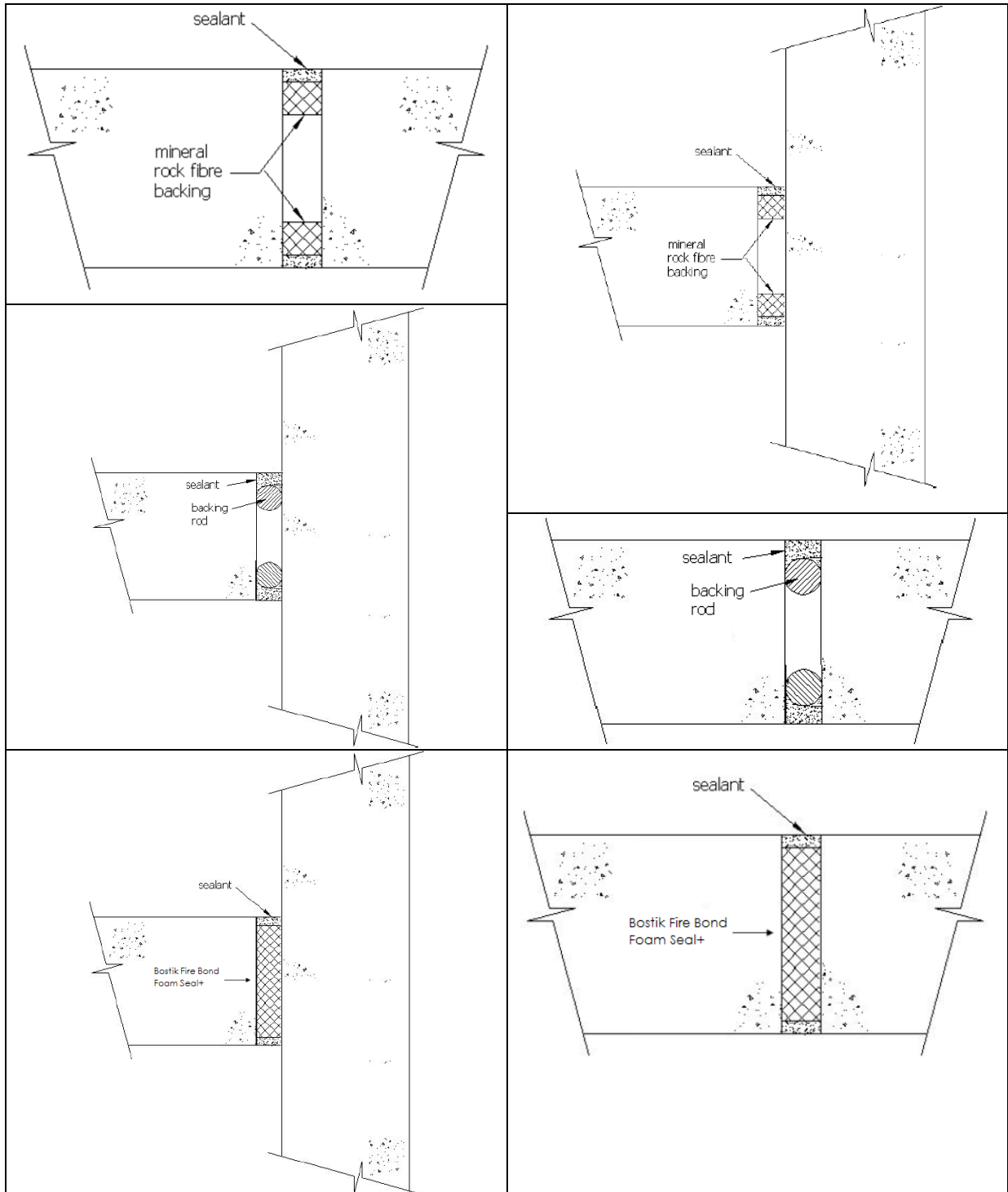


A.1.2.1

Bostik Fire Bond Gap Seal+ Linear Joint Seals in Rigid Walls 200 mm thick (min.) – Sealant flush to both faces of the wall			
Substrate	Depth (mm)	Backing	Classification
Masonry/ concrete	20 min.	Stone wool 20 deep / 90 kg/m ³	EI 240 – V – X – F – W 30
	10 min.	Stone wool 10 deep / 90 kg/m ³	EI 240 – V – X – F – W 10

A.2 Rigid wall constructions with wall thickness of minimum 150 mm

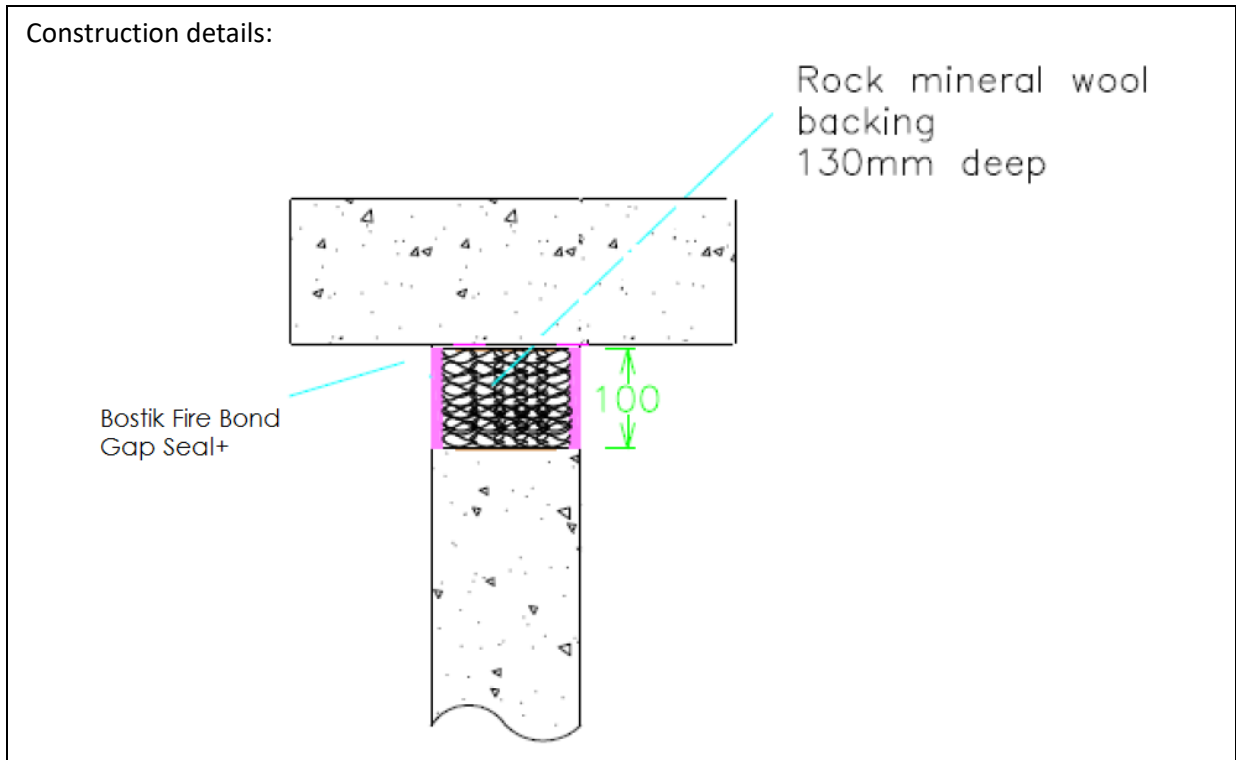
A.2.1 Linear joint or gap seal, vertically oriented with sealant to both faces



A.2.1.1

Bostik Fire Bond Gap Seal+ Linear Joint Seals in Rigid Walls 150 mm thick (min.) – Sealant flush to both faces of the wall			
Substrate	Depth (mm)	Backing	Classification
Masonry/ concrete	10 min.	Bostik Fire Bond Foam Seal+ 130 mm deep min.	EI 240 – V – X – F – W 50
	15 min.	Polyethylene rod	E 240 – V – X – F – W 30 EI 180 – V – X – F – W 30
	10 min.	Polyethylene rod	E 240 – V – X – F – W 20 EI 180 – V – X – F – W 20
Masonry/ concrete to steel	10 min.	Polyethylene rod	E 240 – V – X – F – W 30 EI 90 – V – X – F – W 30
	25 min.	50 mm Rockwool RW4 Stone wool	EI 240 – V – X – F – W 50
Masonry/ concrete to timber	20 min.	Polyethylene rod	EI 120 – V – X – F – W 30
	15 min.	Rockwool RW4 Stone wool, 120 mm deep min.	EI 180 – V – X – F – W 30
Timber/ Concrete	25 min.	50 mm Rockwool RW4 Stone wool	EI 120 – V – X – F – W 50

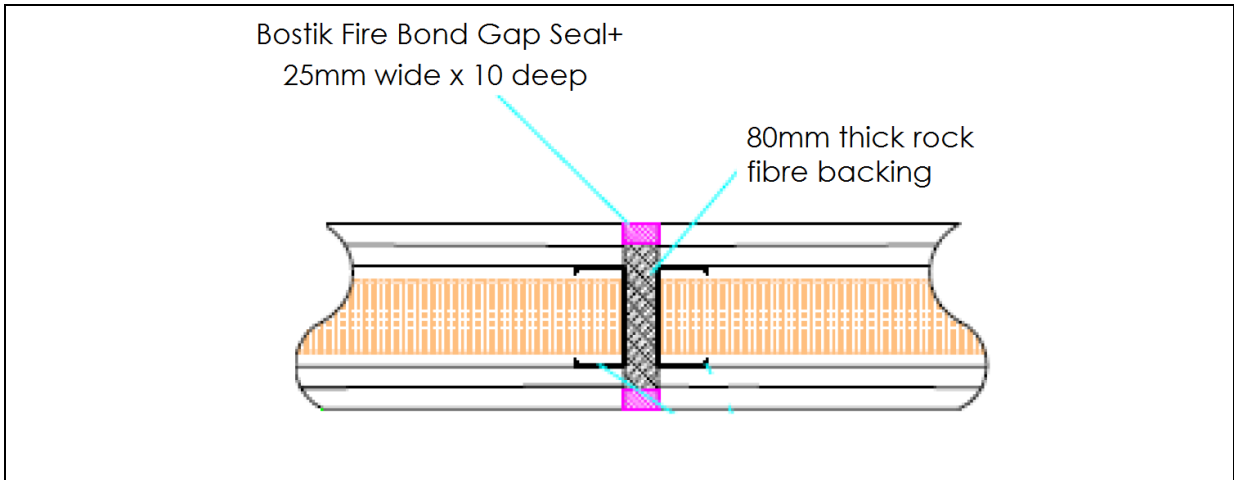
A.2.2 Linear joint or gap seal, horizontally oriented at the head of walls, with sealant to both faces



Substrate	Depth (mm)	Backing	Classification
Masonry/ Concrete	10 min.	130 mm Rockwool RW4 Stone wool	EI 240 – T – X – F – W 100

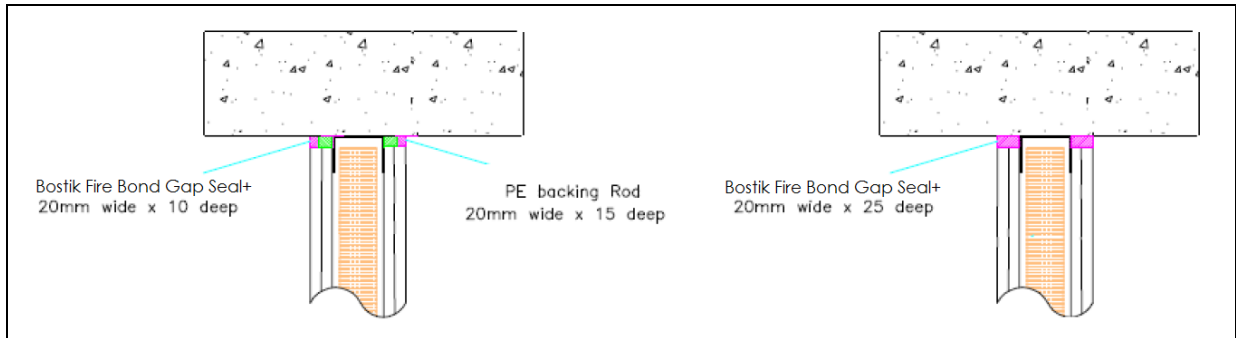
A.3 Flexible wall constructions up to 3m high, with wall thickness of minimum 100 mm

A.3.1 Linear joint or gap seal, vertically oriented with sealant to both faces



Substrate	Depth (mm)	Backing	Classification
Gypsum board / Gypsum board	10 min.	80 mm Rockwool RW4 Stone wool	EI 120 – V – X – F – W 25

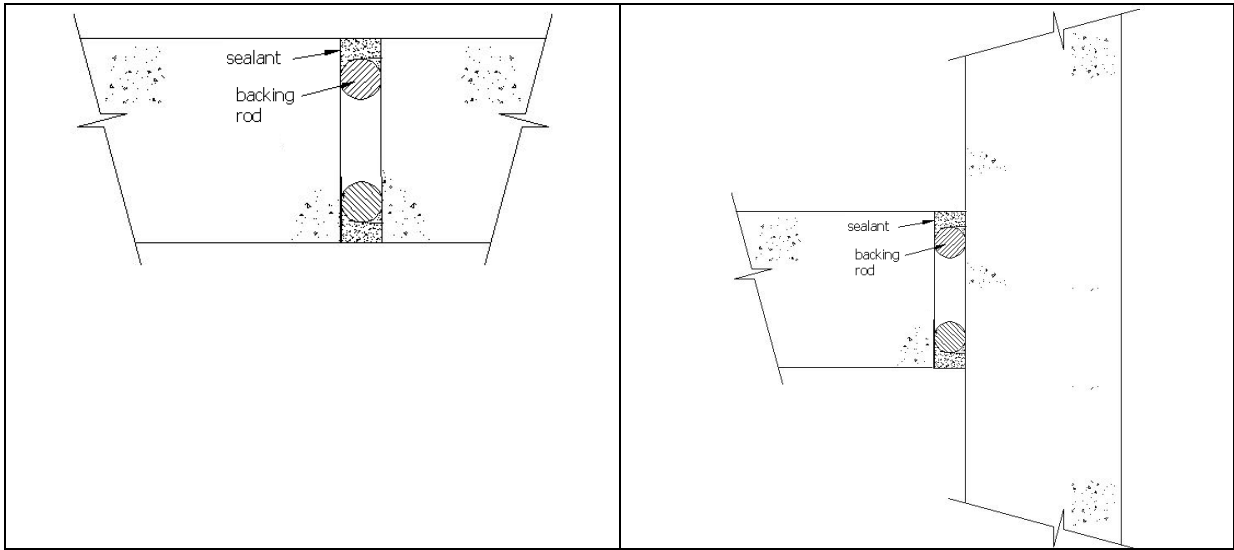
A.3.2 Linear joint or gap seal, horizontal linear joint seals, between the head of flexible walls minimum 100 mm thick and rigid floors



Substrate	Depth (mm)	Backing	Classification
plasterboard / Concrete	25 min.	50 mm steel head track	EI 120 – T – X – F – W 20
	10 min.	15 mm PE backer plus 50 mm steel head track	

Rigid wall constructions according to 1.2.1 with wall thickness of minimum 100 mm

A.3.3 Linear joint or gap seal, vertically oriented with sealant to the exposed face

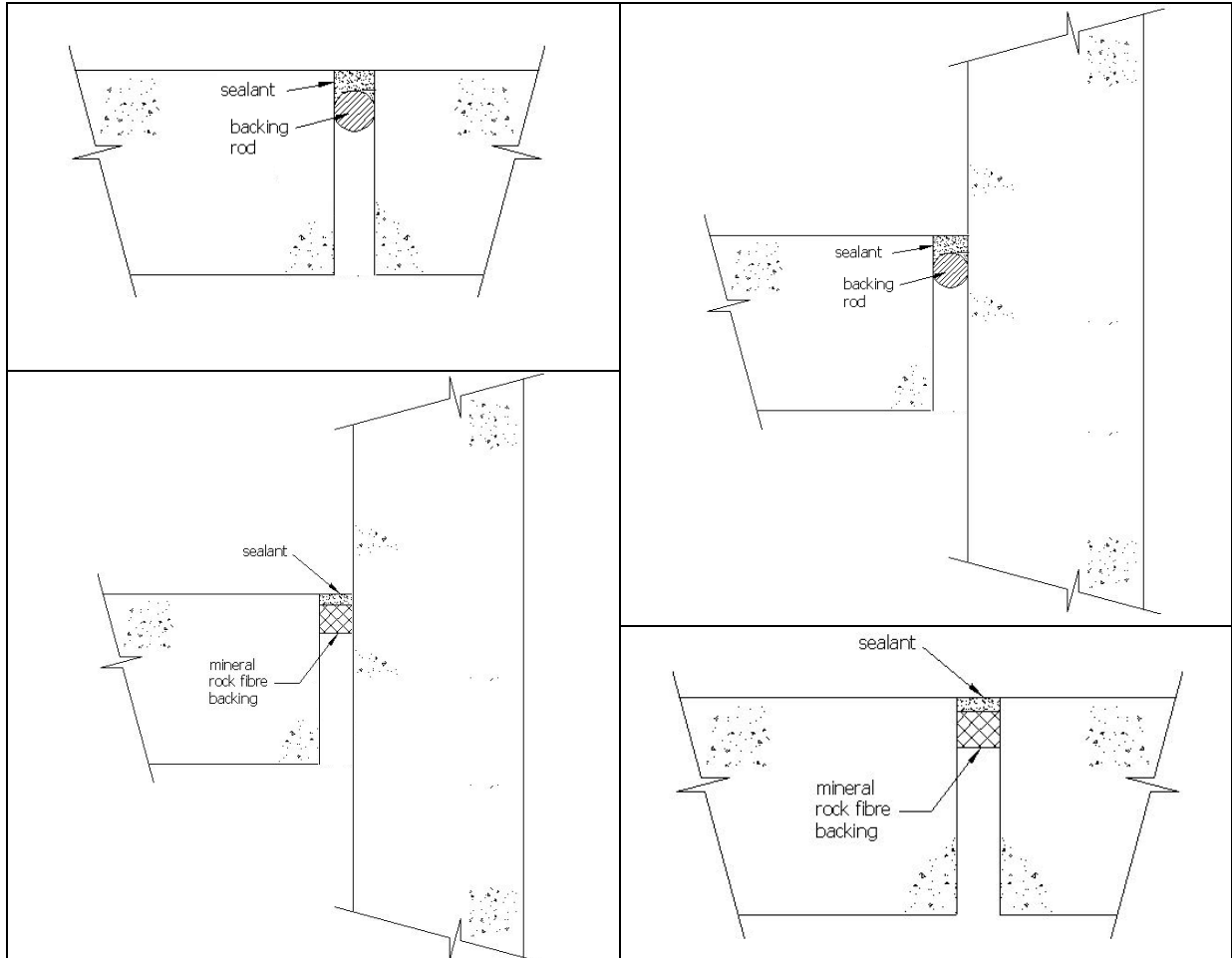


A.3.3.1

Bostik Fire Bond Gap Seal+ Linear Joint Seals in Rigid Walls 100 mm thick (min.) – Sealant flush to both faces of the wall			
Substrate	Depth (mm)	Backing	Classification
Masonry/ concrete	15 min.	Polyethylene rod	E 240 – V – X – F – W 00 to 30 EI 120 – V – X – F – W 00 to 30

A.4 Rigid floor constructions according to 1.2.1 with wall thickness of minimum 150 mm

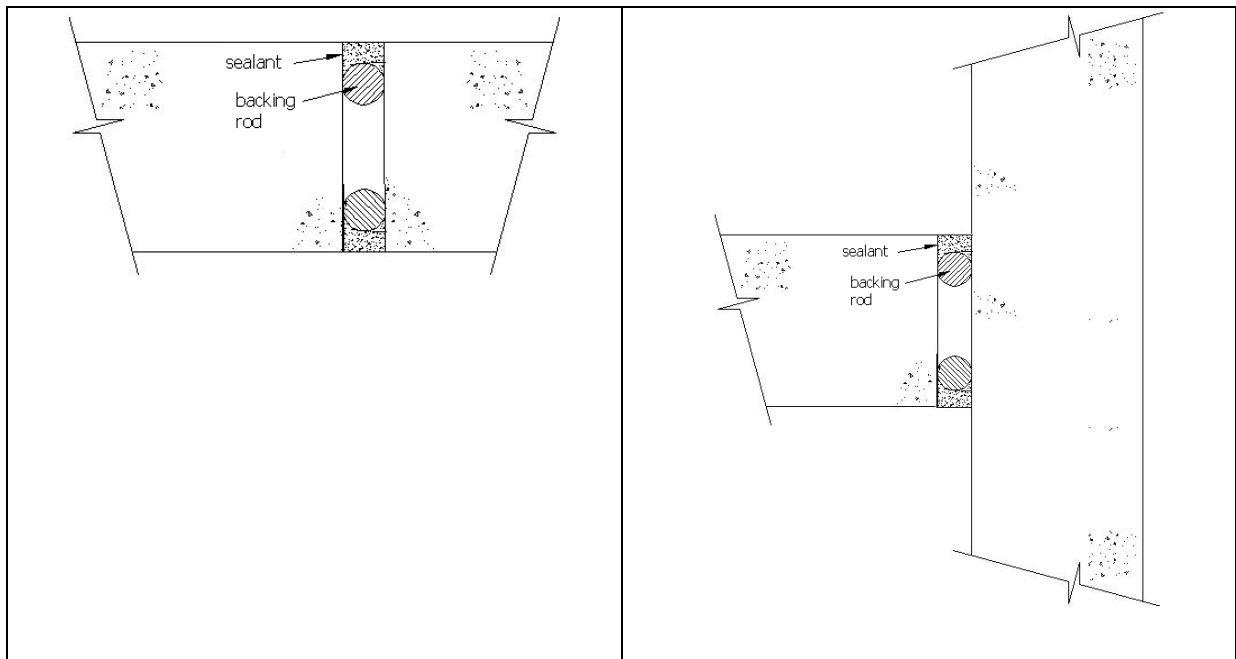
A.4.1 Linear joint or gap seal, between floor slabs or between floor slab and wall with sealant to the top face of the floor only



A.4.1.1

Bostik Fire Bond Gap Seal+ Linear Joint Seals in Rigid Floors 150 mm thick (min.) – Sealant to the top of the floor only			
Substrate	Depth (mm)	Backing	Classification
Masonry/ concrete	10 min.	Stone wool 90 kg/m ³ 25 mm deep min.	E 240 – H – X – F – W 00 to 30 EI 180 – H – X – F – W 00 to 30
	15 min.	Polyethylene rod	E 90 – H – X – F – W 00 to 30 EI 45 – H – X – F – W 00 to 30
	10 min.	Polyethylene rod	E 240 – H – X – F – W 00 to 20 EI 60 – H – X – F – W 00 to 20
	10 min.	Polyethylene rod	E 240 – H – X – F – W 00 to 10 EI 120 – H – X – F – W 00 to 10

A.4.2 Linear joint or gap seal, between floor slabs or between floor slab and wall with sealant to the both faces of the floor



A.4.2.1

Bostik Fire Bond Gap Seal+ Linear Joint Seals in Rigid Floors 150 mm thick (min.) – Sealant flush to both faces of the floor			
Substrate	Depth (mm)	Backing	Classification
Masonry/ concrete	10 min.	Polyethylene rod	E 240 – H – X – F – W 00 to 30 EI 180 – H – X – F – W 00 to 30
Masonry/ concrete to steel	10 min.	Polyethylene rod	E 240 – H – X – F – W 00 to 30 EI 90 – H – X – F – W 00 to 30