

Milwaukee®

Nothing but **HEAVY DUTY.**®



M18 FJS

Original instructions

Originalbetriebsanleitung

Notice originale

Istruzioni originali

Manual original

Oorspronkelijke gebruiksaanwijzing

Original brugsanvisning

Original bruksanvisning

Bruksanvisning i original

Alkuperäiset ohjeet

Πρωτότυπο οδηγιών χρήσης

Orijinal işletme talimatı

Původním návodem k používání

Pôvodný návod na použitie

Instrukcja oryginalną

Eredeti használati utasítás

Izvirna navodila

Originalne pogonske upute

Instrukcijām oriģinālvalodā

Originali instrukcija

Algupärane kasutusjuhend

Оригинальное руководство по эксплуатации

Оригинално ръководство за експлоатация

Instrucțiuni de folosire originale

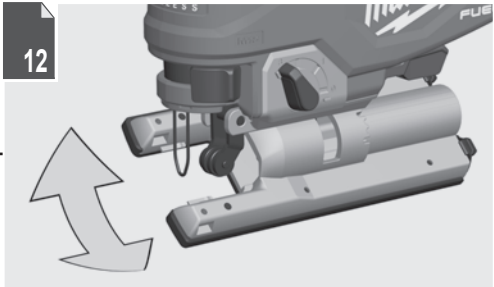
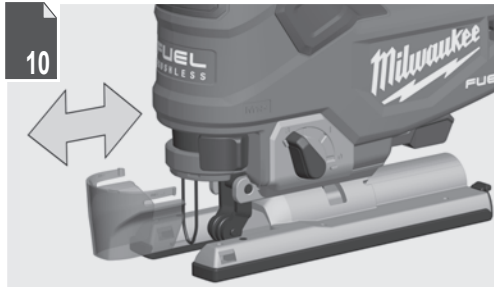
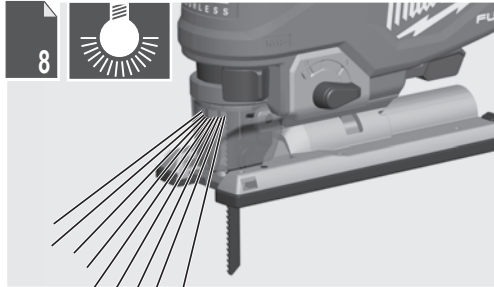
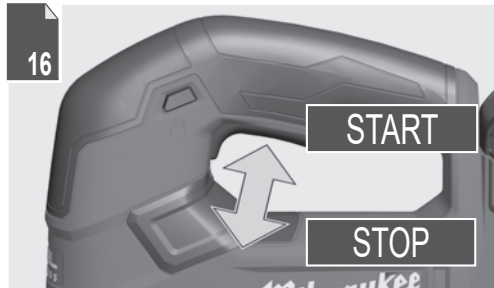
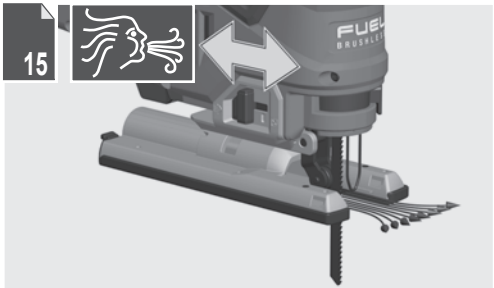
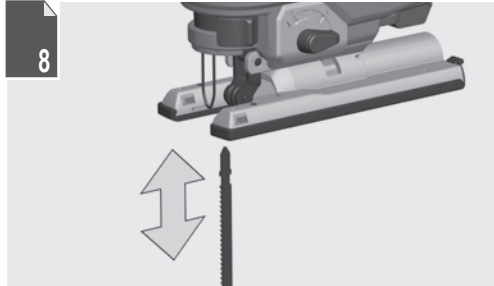
Оригинален прирачник за работа

Оригінал інструкції з експлуатації

التعليمات الأصلية

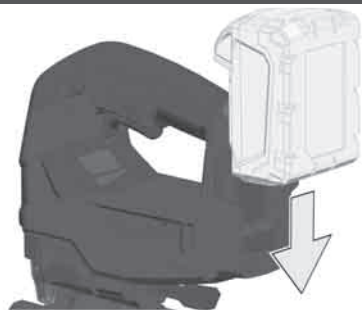
ENGLISH		Picture section with operating description and functional description	4
DEUTSCH		Bildteil mit Anwendungs- und Funktionsbeschreibungen	4
FRANÇAIS		Partie imagée avec description des applications et des fonctions	4
ITALIANO		Sezione illustrata con descrizione dell'applicazione e delle funzioni	4
ESPAÑOL		Sección de ilustraciones con descripción de aplicación y descripción funcional	4
PORTUGUES		Parte com imagens explicativas contendo descrição operacional e funcional	4
NEDERLANDS		Beeldgedeelte met toepassings- en functiebeschrijvingen	4
DANSK		Billedel med anvendelses- og funktionsbeskrivelser	4
NORSK		Billedel med bruks- og funksjonsbeskrivelse	4
SVENSKA		Bilddel med användnings- och funktionsbeskrivning	4
SUOMI		Kuvasivut käyttö- ja toimintakuvaukset	4
ΕΛΛΗΝΙΚΑ		Τμήμα εικόνων με περιγραφές χρήσης και λειτουργίας	4
TÜRKÇE		Resim bölümü Uygulama ve fonksiyon açıklamaları ile birlikte	4
ČESKY		Obrazová část s popisem aplikací a funkcí	4
SLOVENSKY		Obrazová část s popisom aplikácií a funkcií	4
POLSKI		Część rysunkowa z opisami zastosowania i działania	4
MAGYAR		Képes részalkalmazási- és működési leírásokkal	4
SLOVENSKO		Del slike z opisom uporabe in funkcij	4
HRVATSKI		Dio sa slikama opisima primjene i funkcija	4
LATVISKI		Attēla daļa ar lietošanas un funkciju aprakstiem	4
LIETUVIŠKAI		Paveikslėlio dalis su vartojimo instrukcija ir funkcijų aprašymais	4
EESTI		Pildiosa kasutusjuhendi ja funktsioonide kirjeldusega	4
РУССКИЙ		Раздел иллюстраций с описанием эксплуатации и функций	4
БЪЛГАРСКИ		Част със снимки с описания за приложение и функции	4
ROMÂNIA		Secvența de imagine cu descrierea utilizării și a funcționării	4
МАКЕДОНСКИ		Дел со слики со описи за употреба и функционирање	4
УКРАЇНСЬКА		Частина з зображеннями з описом робіт та функцій	4
عربي		قسم الصور يوجد به الوصف التشغيلي والوظيفي	4

Text section with Technical Data, important Safety and Working Hints and description of Symbols	20
Textteil mit Technischen Daten, wichtigen Sicherheits- und Arbeitshinweisen und Erklärung der Symbole.	22
Partie textuelle avec les données techniques, les consignes importantes de sécurité et de travail ainsi que l'explication des pictogrammes.	24
Sezione testo con dati tecnici, importanti informazioni sulla sicurezza e sull'utilizzo, spiegazione dei simboli.	26
Sección de texto con datos técnicos, indicaciones importantes de seguridad y trabajo y explicación de los símbolos.	28
Parte com texto explicativo contendo Especificações técnicas, Avisos de segurança e de operação e a Descrição dos símbolos.	30
Tekstgedeelte met technische gegevens, belangrijke veiligheids- en arbeidsinstructies en verklaring van de symbolen.	32
Tekstdel med tekniske data, vigtige sikkerheds- og arbejdsanvisninger og symbolforklaring.	34
Tekstdel med tekniske data, viktige sikkerhets- og arbeidsinstruksjoner og forklaring av symbolene.	36
Textdel med tekniska informationer, viktiga säkerhets- och användningsinstruktioner samt symbolförklaringar.	38
Tekstisivut: tekniset tiedot, tärkeät turvallisuus- ja työskentelyohjeet sekä merkkien selitykset.	40
Τμήμα κειμένου με τεχνικά χαρακτηριστικά, σημαντικές υποδείξεις ασφαλείας και εργασίας και εξήγηση των συμβόλων.	42
Teknik bilgileri, önemli güvenlik ve çalışma açıklamalarını ve de sembollerin açıklamalarını içeren metin bölümü.	44
Textová část s technickými daty, důležitými bezpečnostními a pracovními pokyny a s vysvětlivkami symbolů	46
Textová část s technickými dátami, dôležitými bezpečnostnými a pracovními pokynmi a s vysvetlivkami symbolov	48
Część opisowa z danymi technicznymi, ważnymi wskazówkami dotyczącymi bezpieczeństwa i pracy oraz objaśnieniami symboli.	50
Szöveges rész műszaki adatokkal, fontos biztonsági- és munkavégzési útmutatásokkal, valamint a szimbólumok magyarázata.	52
Del besedila s tehničnimi podatki, pomembnimi varnostnimi opozorili in delovnimi navodili in pojasnili simbolov.	54
Dio štiva sa tehničkim podacima, važnim sigurnosnim i radnim uputama i objašnjenjem simbola.	56
Teksta daļa ar tehnikajiem parametriem, svarīgiem drošības un darbības norādījumiem, simbolu atšifrējumiem.	58
Teksto dalis su techniniais duomenimis, svarbiomis saugumo ir darbo instrukcijomis bei simbolių paaiškinimais.	60
Tekstiosa tehniliste näitajate, oluliste ohutus- ja tööjuhenditega ning sümbolite kirjeldustega.	62
Текстовый раздел, включающий технические данные, важные рекомендации по безопасности и эксплуатации, а также описание используемых символов.	64
Част с текст с технически данни, важни указания за безопасност и работа и разяснение на символите.	66
Porțiune de text cu date tehnice, indicații importante privind siguranța și modul de lucru și descrierea simbolurilor.	68
Tekstuālen del со Технички карактеристики, важни безбедносни и работни упатства и објаснување на символите.	70
Текстова частина з техничними даними, важливими вказівками з техніки безпеки та експлуатації і поясненням символів.	72
القسم النصي المزود بالبيانات الفنية والنصائح الهامة للسلامة والعمل ووصف الرموز	75

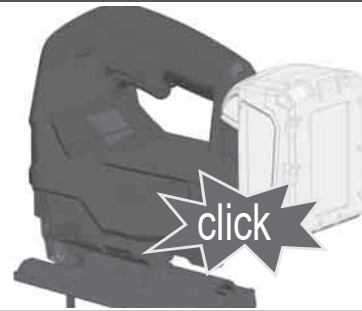




1



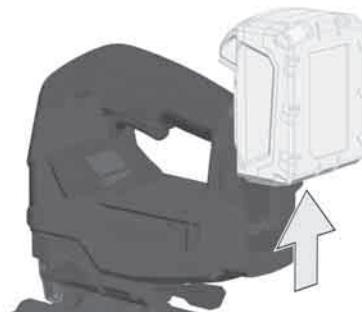
2



1



2



Remove the battery pack before starting any work on the machine.

Vor allen Arbeiten an der Maschine den Wechselakku herausnehmen

Avant tous travaux sur la machine retirer l'accu interchangeable.

Prima di iniziare togliere la batteria dalla macchina.

Retire la batería antes de comenzar cualquier trabajo en la máquina.

Antes de efectuar cualquier intervención na máquina retirar o bloco acumulador.

Voor alle werkzaamheden aan de machine de akku verwijderen.

Ved arbejde inden i maskinen, bør batteriet tages ud.

Ta ut vekselbatteriet før du arbeider på maskinen

Drag ur batteripaket innan arbete utföres på maskinen.

Tarkista pistotulppa ja verkkojohto mahdollisilta vaurioilta. Viat saa korjata vain alan erikoismies.

Πριν από κάθε εργασία στη μηχανή αφαιρείτε την ανταλλακτική μπαταρία.

Aletin kendinge bir çalışma yapmadan önce kartuş aküyü çıkarın.

Před zahájením veškerých prací na vrtacím šroubováků vyjmout výměnný akumulátor.

Pred každou prácou na stroji výměnný akumulátor vytiahnuť.

Przed przystąpieniem do jakichkolwiek prac na elektronarzędziu należy wyjąć wkładkę akumulatową.

Karbantartás, javítás, tisztítás, stb. előtt az akkumulátort ki kell venni a készülőkből.

Pred deli na stroju izvlecite izmenljivi akumulator.

Prije svih radova na stroju izvaditi bateriju za zamjenu.

Pirms mašīnai veikt jebkāda veida apkopes darbus, ir jāizņem ārā akumulātors.

Prieš atlikdami bet kokius darbus įrenginyje, išimkite keičiamą akumuliatorių.

Enne kõiki töid masina kallal võtke vahetatav aku välja.

Виньте аккумулятор из машины перед проведением с ней каких-либо манипуляций.

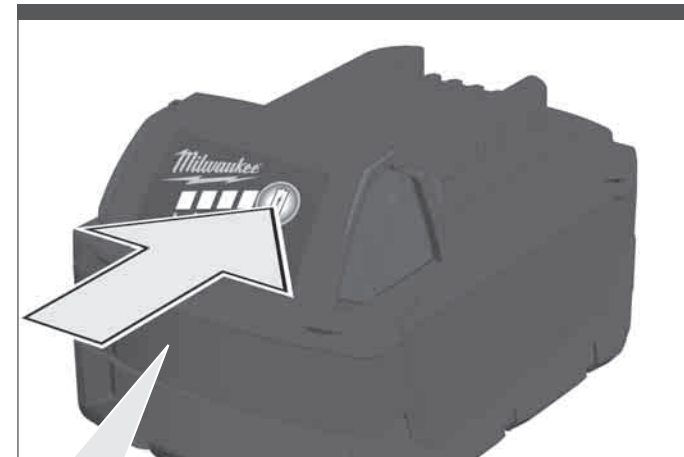
Преди започване на каквито е да работи по машината извадете акумулатора.

Scoateți acumulatorul înainte de a începe orice intervenție pe mașină.

Отстранете ја батеријата пред да започнете да ја користите машината.

Перед будь-якими роботами на машині вийняти змінну акумуляторну батарею.

قم بإزالة حزمة البطارية قبل البدء في أي أعمال على الجهاز.



78-100 %



55-77 %



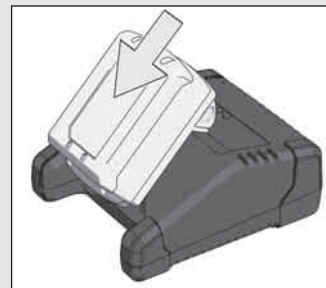
33-54 %

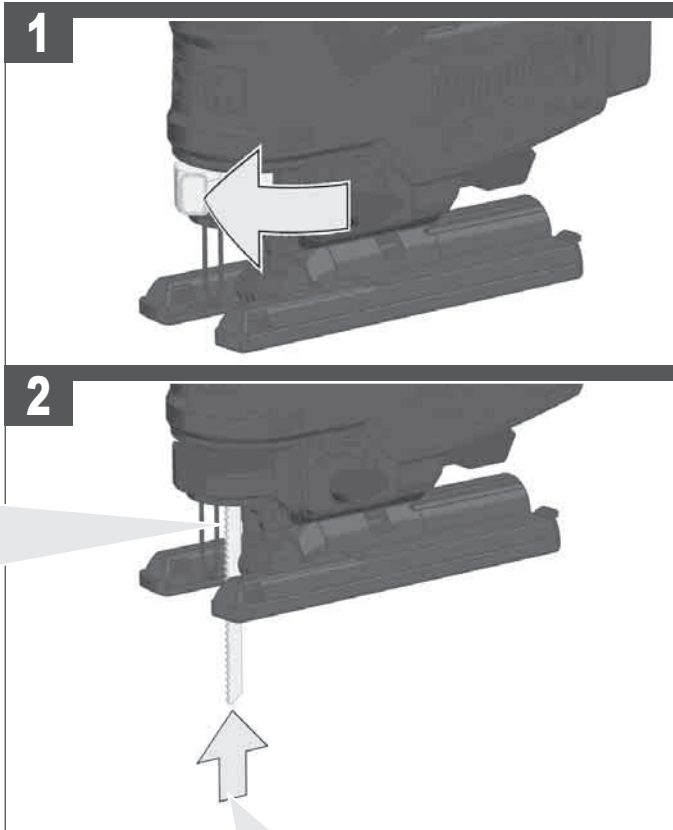
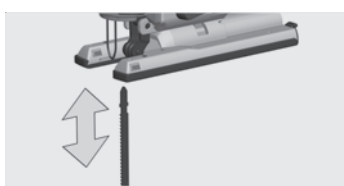


10-32 %



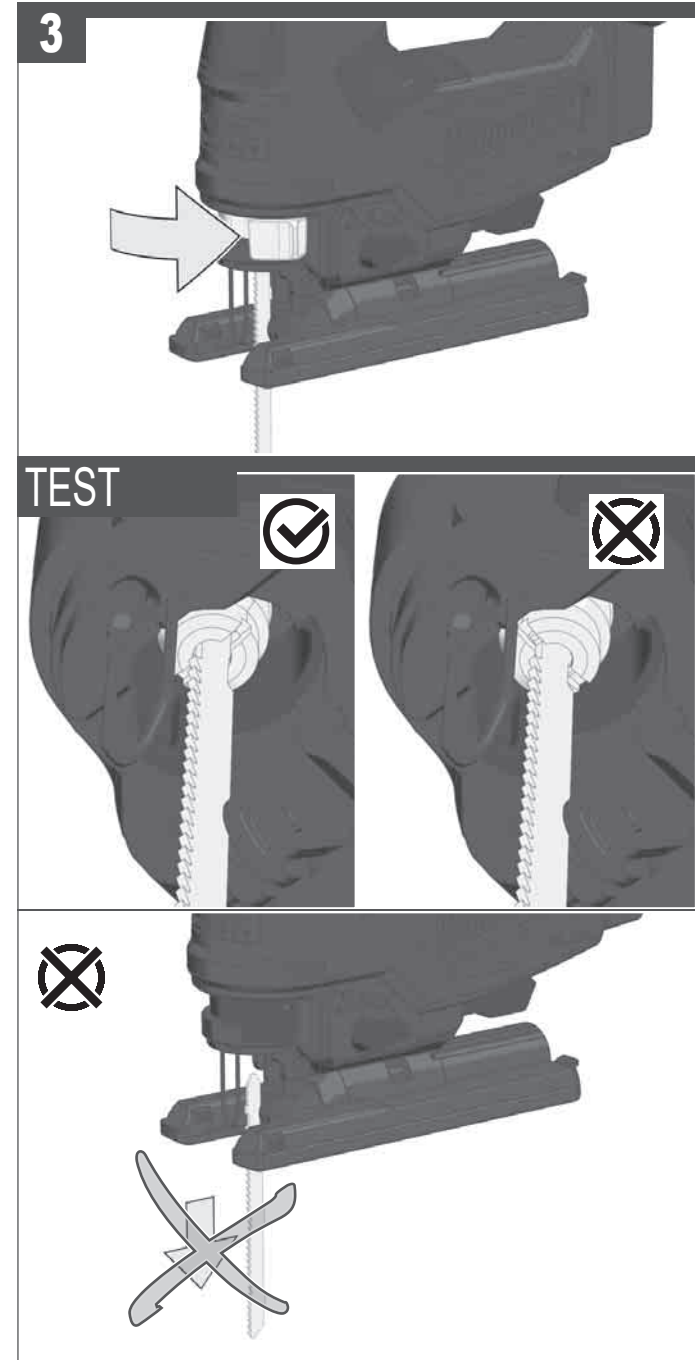
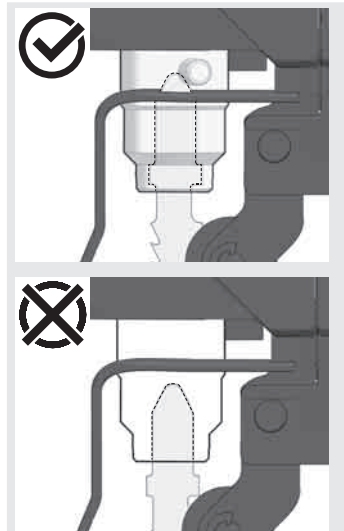
< 10 %

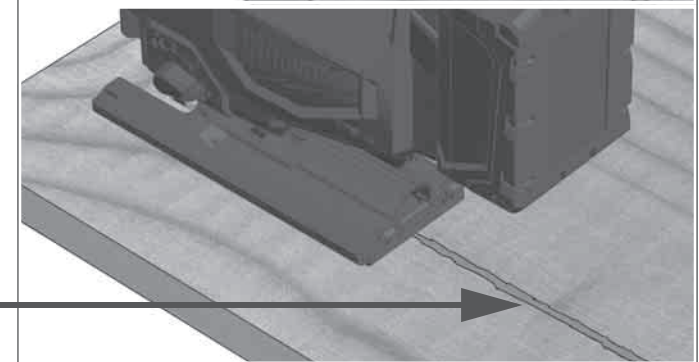
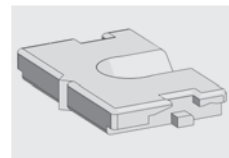
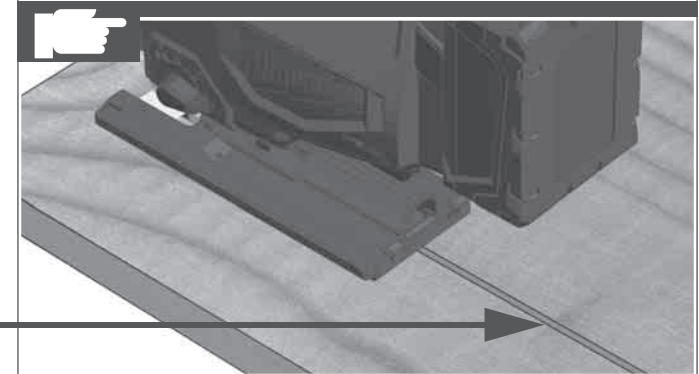
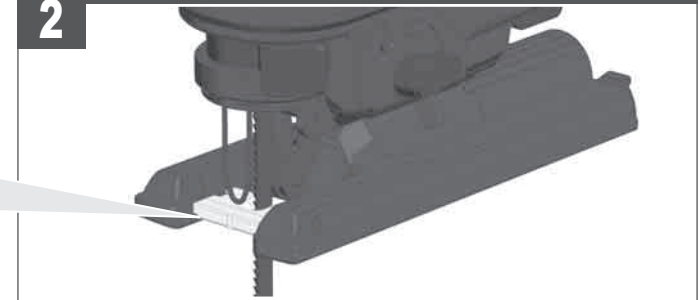
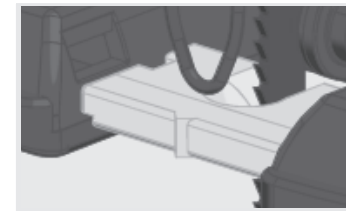
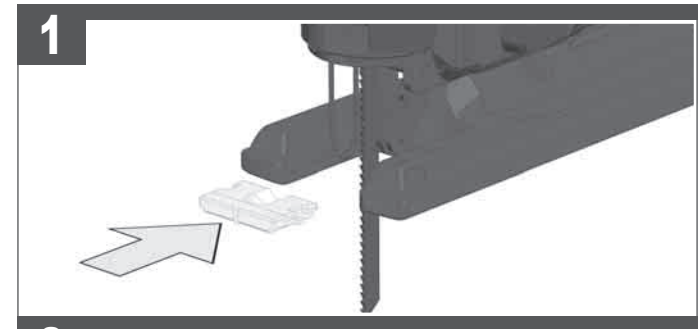
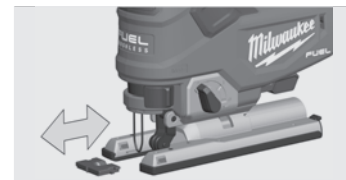
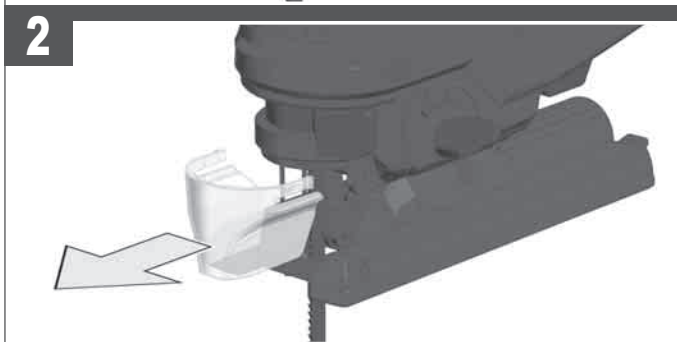
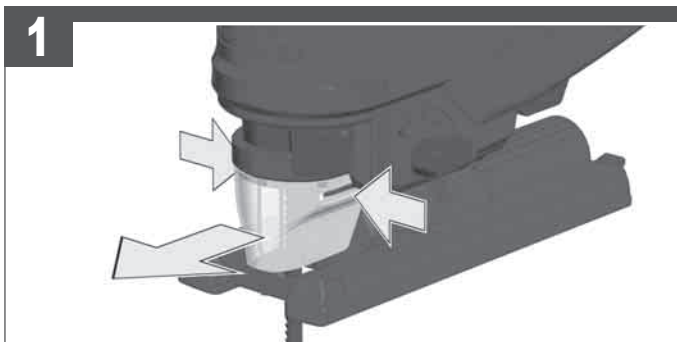
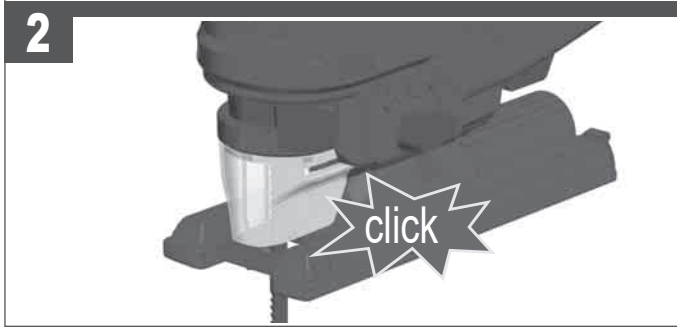
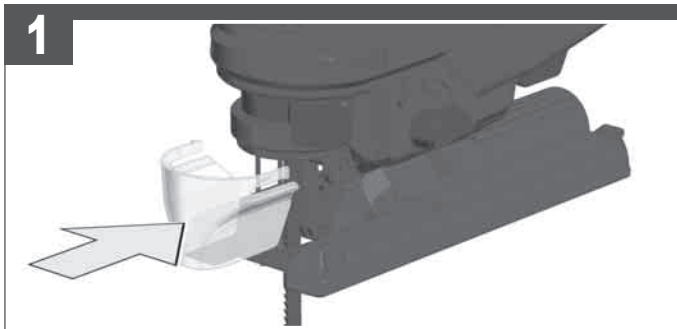


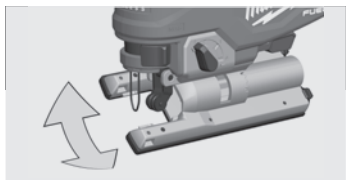


Press the saw blade into the Fixtec holder up to the stop.
 Sägeblatt in die Fixtec-Aufnahme bis zum Anschlag drücken.
 Presser la lame de scie dans le logement Fixtec jusqu'à la butée.
 Inserire la lama fino alla battuta nell'alloggiamento Fixtec.
 Introducir la hoja de la sierra Fixtec en su alojamiento hasta el tope.
 Pressionar a folha de serra no assento-Fixtec até o encosto.
 Zaagblad tot aan de aanslag in de Fixtec-houder drukken.
 Pres savklingen ind i Fixtec-holderen, så den går i indgreb.
 Trykk sagbladet til anslaget av Fixtec – holdeinnretningen.
 Tryck ner sågbladet i Fixtec-fästansordningen så långt det går.
 Τυώννά sahanterá Fixtec-istukkaan pohjaan asti.
 Βάλετε την πριονόμαχα μέχρι το τέρμα στην υποδοχή του Fixtec.
 Testere biçağını dayanıncaya kadar Fixtec yuvasına bastırın.
 Zatlačte pilový list na doraz do sklúčidla Fixtec.
 Zatlačte pilový list na doraz do sklúčovadla Fixtec.
 Brzeszczot wcisnąć na nasadę FIXTEC do oporu.
 A fűrészlapot a Fixtec-befogóba útközésig nyomja be!
 Žagin list pritisnite u Fixtec-prijemalo do prislona.
 List pile pritisnite u Fixtec-prihvatač do graničnika.
 levietojiet zāga disku Fixtec stiprinājumā līdz galam, lai tā nofiksējās.

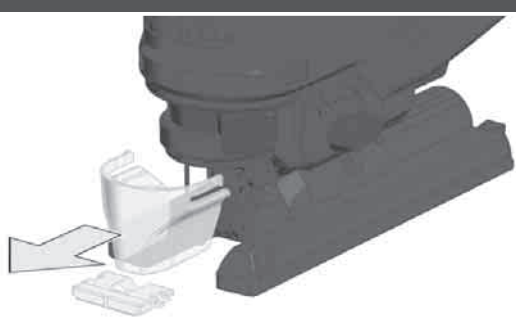
Istalykrite pjkulo diská j Fixtec tvirtinimá iki galo, kol jis užsifksuoja.
 Saetera lukata Fixtec-kinnitusse kuni tunnete klópsatust.
 Вставить пильное полотно в захват Fixtec до упора.
 Натиснете циркулярния диск в Fixtec-дръжача до ограничителя.
 Apósajj pânzá de circular în dispozitivul de preluare fixtec, până la refuz.
 Притиснете ја пилицата за сечење во Fixtec-лежиштето сè до аншлаг.
 Притиснути пилковий диск до кріплення Fixtec до упору.
 اضغط على شفرة العشار إلى داخل حامل Fixtec حتى السدادة النهائية.



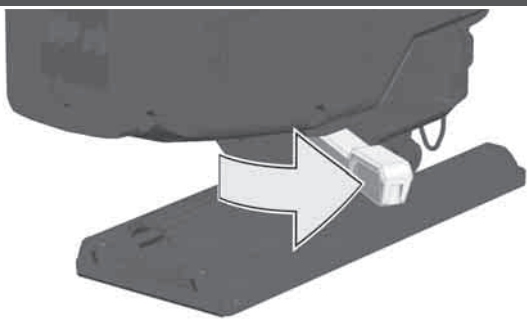




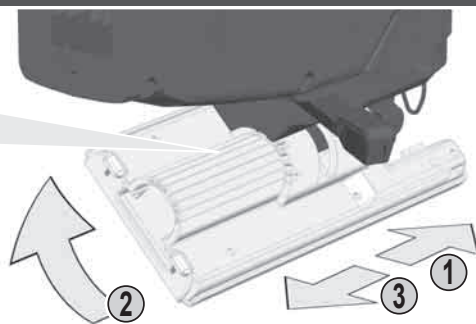
1



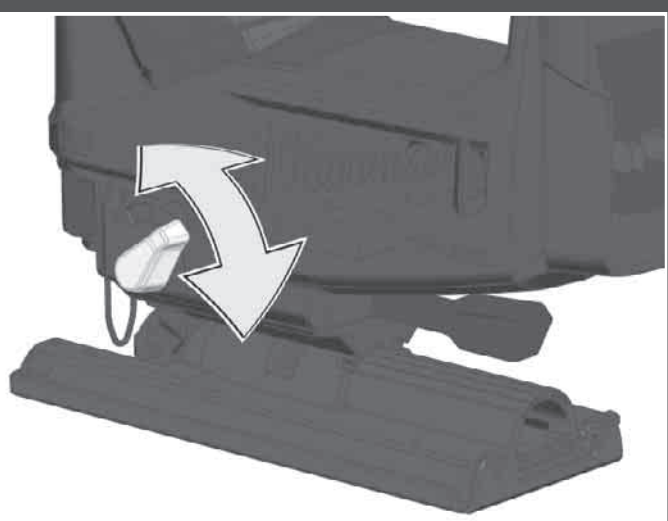
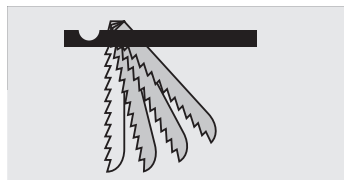
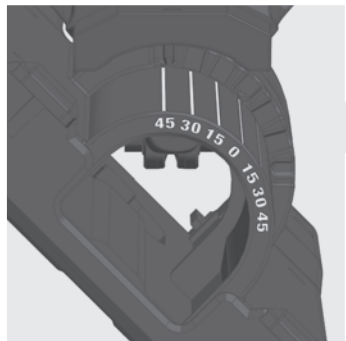
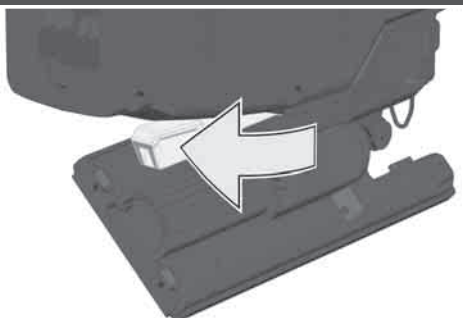
2

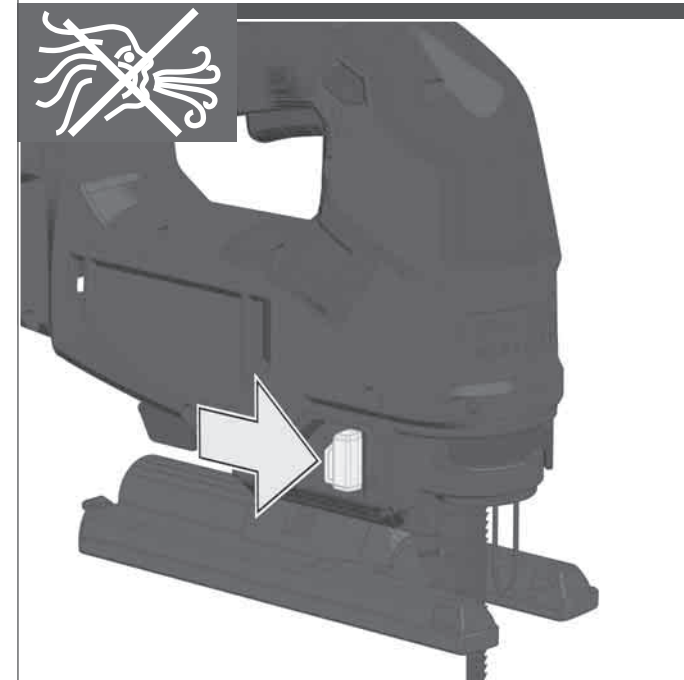
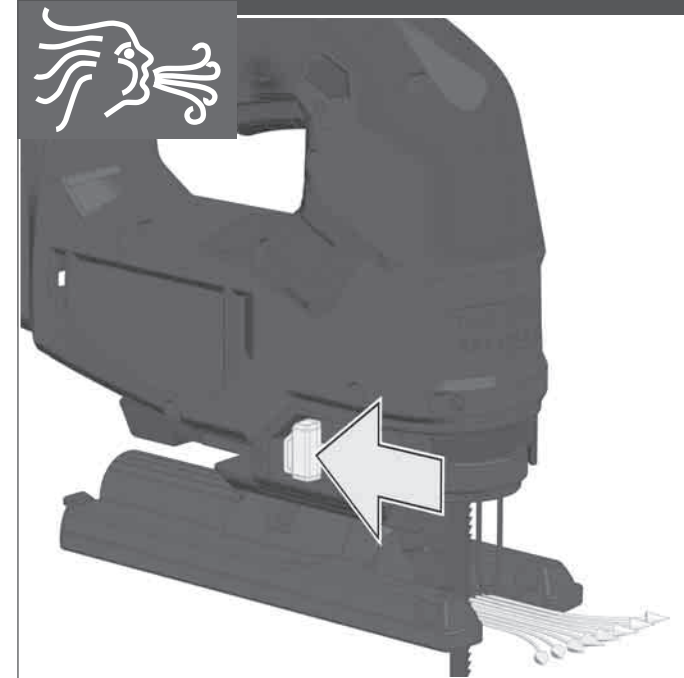
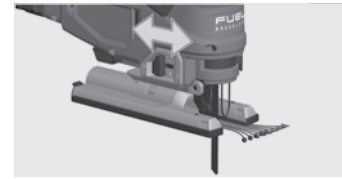
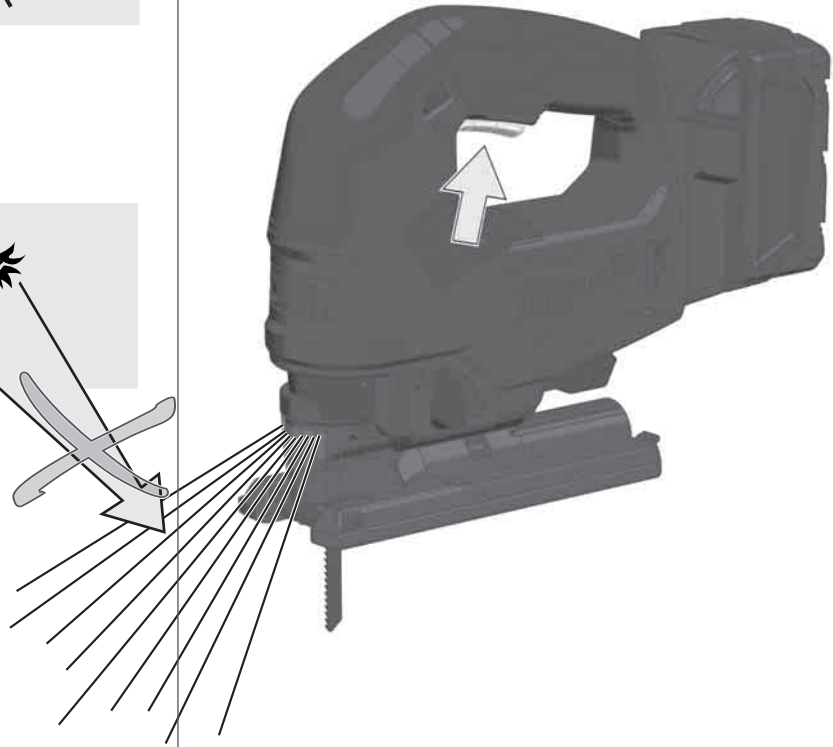


3



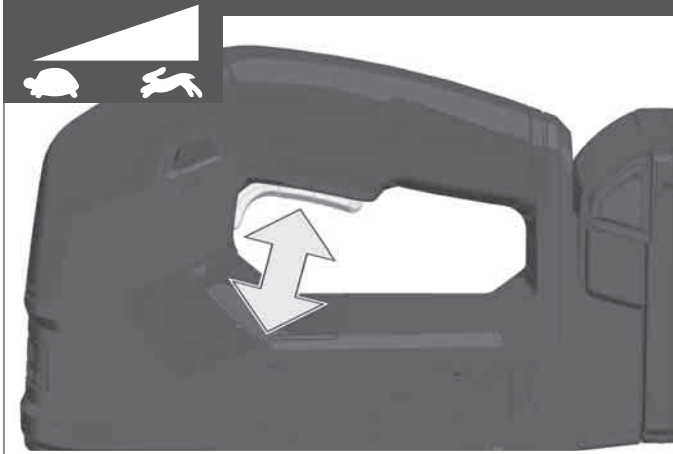
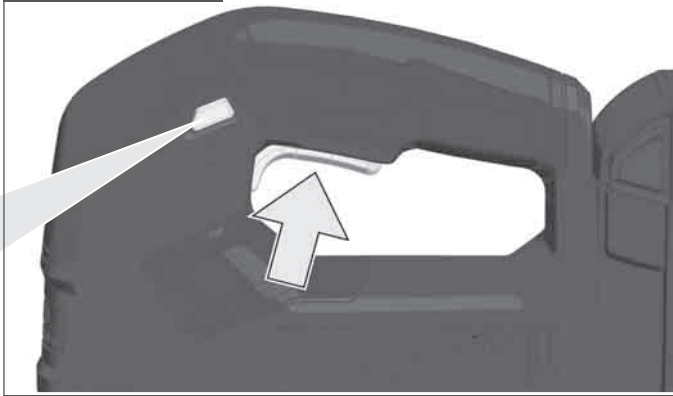
4



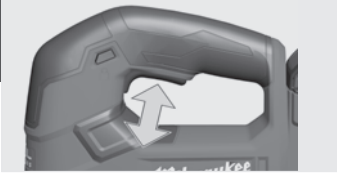
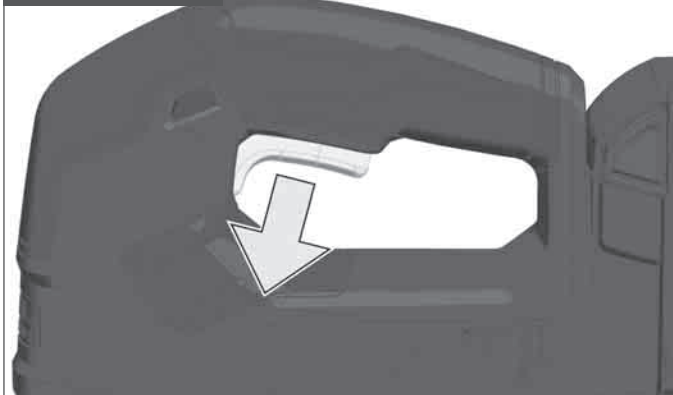




START



STOP



UNLOCK

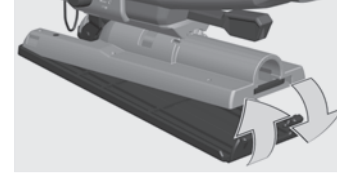


LOCK

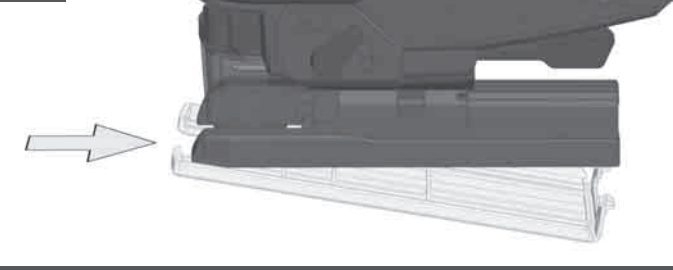


Insulated gripping surface
 Isolierte Grifffläche
 Surface de prise isolée
 Superficie di presa isolata
 Superficie de agarre con aislamiento
 Superficie de pega isolada
 Geïsoleerd
 Isolerede grifbflader
 Isolert griffeplate
 Isolerad greppyta
 Eristetty tartumapinta
 Μονωμένη επιφάνεια λαβής
 Izolasyonlu tutma yüzeyi
 Izolovaná uchopovací plocha
 Izolovaná úchopná plocha
 Izolowaną powierzchnią
 Szigetelt fogófelület
 Izolirana prijemalna površina
 Izolirana površina za držanje
 Izolēta satveršanas virsma
 Izoliuotas rankenos paviršius
 Isoleeritud pideme piirkond
 Изолированная поверхность ручки
 Izolirana površnost za hvataње
 Suprafață de prindere izolată
 Izolirana površina
 Izolovana površina ручки

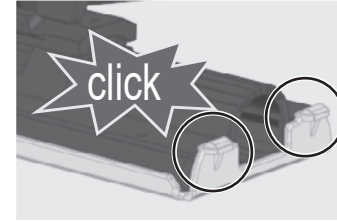
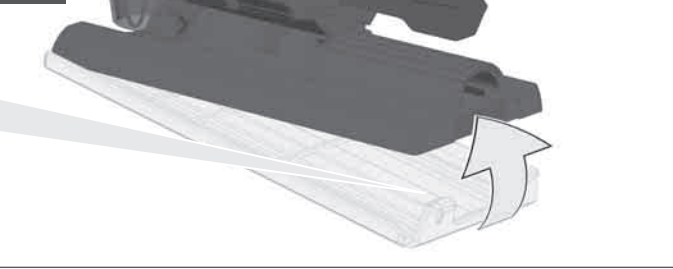
مساحة القبض معزولة



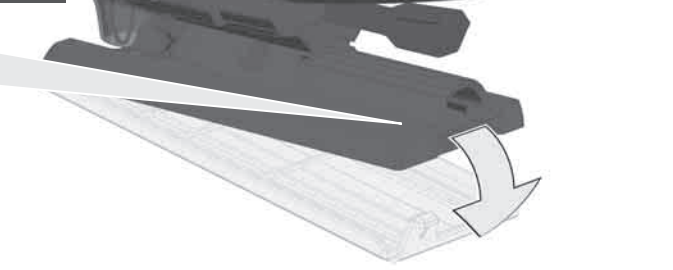
1



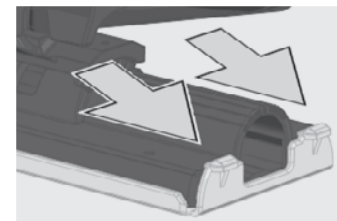
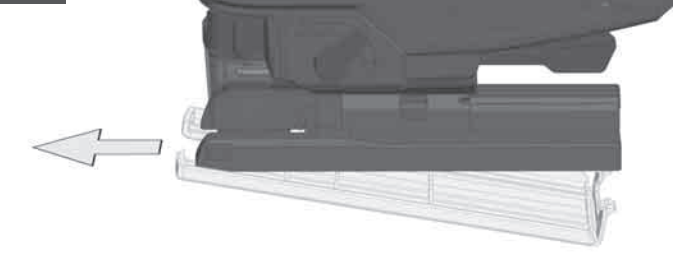
2

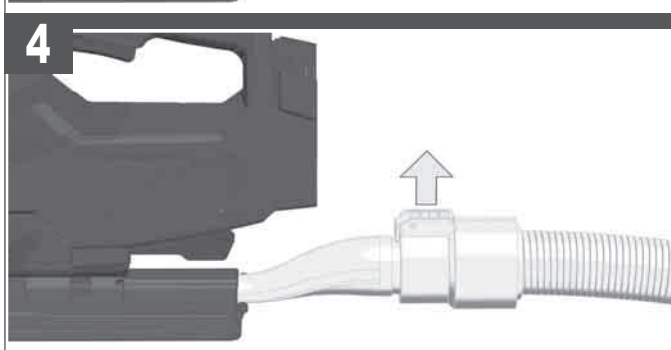
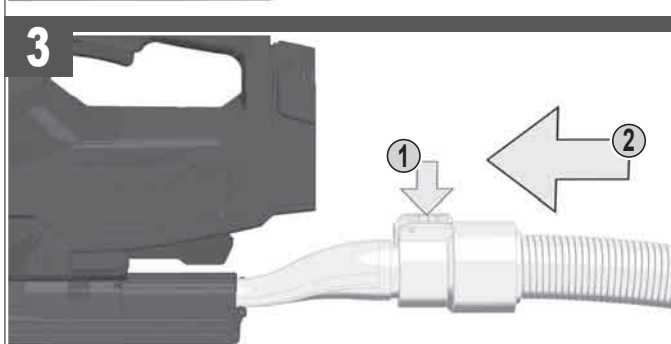
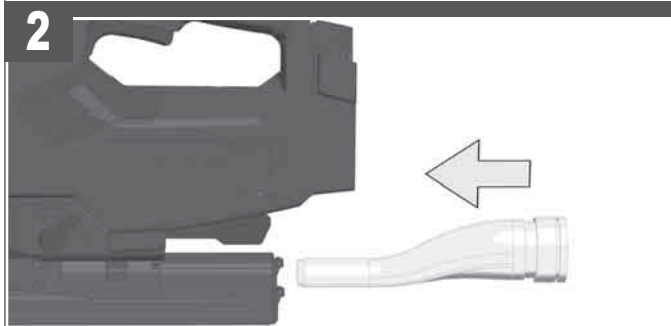
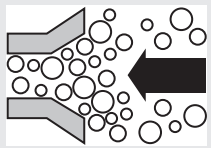


1

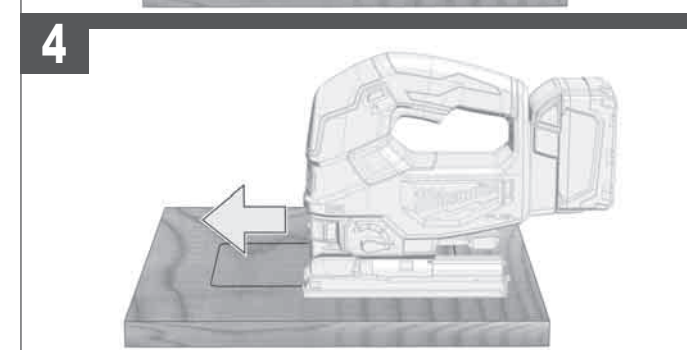
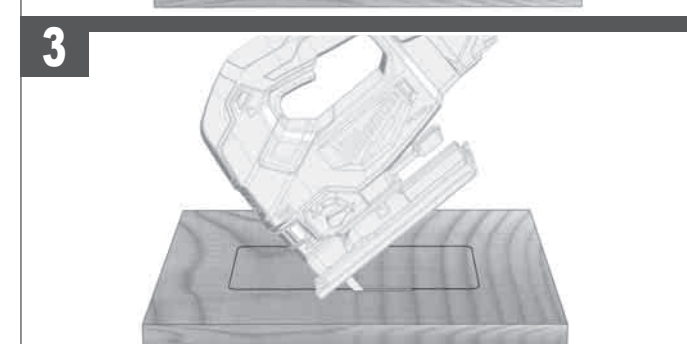
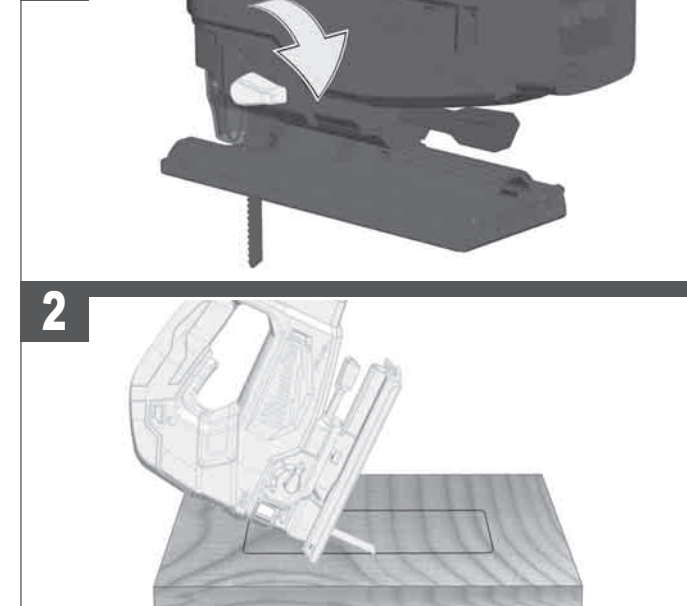
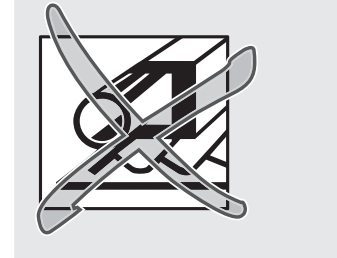
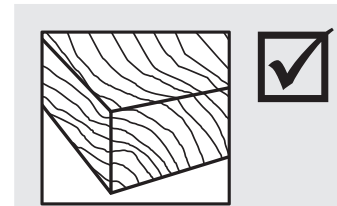
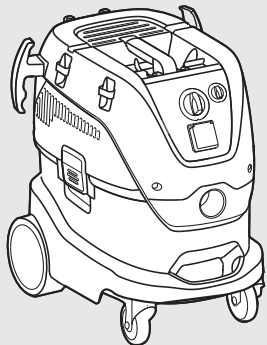


2





Accessory
Zubehör
Accessoire
Accessorio
Accessório
Toebehoren
Tilbehør
Tilbehør
Tilbehör
Lisälaite
Εξοπλισμός
Aksesuar
Příslušenství
Príslušenstvo
Element wyposażenia dodatkowego
Tartozék
Oprema
Pribor
Papildus aprīkojums
Priedas
Tarvikud
Дополнитель
Аксесоар
Accessorii
Комплектуючі
الملحق



TECHNICAL DATA	CORDLESS JIGSAW	M18 FJS
Production code.....	4692 59 01... ...000001-999999	
Battery voltage.....	18 V	
Stroke rate under no-load.....	0-3500 min ⁻¹ (+/- 10%)	
Length of stroke.....	25 mm	
Bevel cuts up to.....	45°	
Cutting depth max. in:		
Wood.....	100 mm	
Aluminium.....	19 mm	
Steel.....	10 mm	
Weight according EPTA-Procedure 01/2014 (2.0 - 12.0 Ah).....	2,63 - 3,69 kg	
Recommended ambient operating temperature.....	-18...+50 °C	
Recommended battery types.....	M18B2... M18B9, M18HB12	
Recommended charger.....	M12-18 ... ; M1418C6	

Noise/vibration information

Measured values determined according to EN 62841.

Typically, the A-weighted noise levels of the tool are:

Sound pressure level (Uncertainty K=3dB(A)) 88,68 dB (A)

Sound power level (Uncertainty K=3dB(A)) 99,68 dB (A)

Wear ear protectors!

Total vibration values (vector sum in the three axes) determined according to EN 62841.

Sawing of wood *1
Vibration emission value a_w..... 21,25 m/s²

Uncertainty K..... 1,5 m/s²

Sawing of sheet metal *2
Vibration emission value a_w..... 17,34 m/s²

Uncertainty K..... 1,5 m/s²

*1 with saw blade BIM, dimension 100 x 7,5 x 1,0 mm and tooth pitch 2,5 mm

*2 with saw blade BIM, dimension 75 x 7,5 x 1,0 mm and tooth pitch 1,8 mm

WARNING

The vibration emission level given in this information sheet has been measured in accordance with a standardized test given in EN 62841 and may be used to compare one tool with another. It may be used for a preliminary assessment of exposure.

The declared vibration emission level represents the main applications of the tool. However if the tool is used for different applications, with different accessories or poorly maintained, the vibration emission may differ. This may significantly increase the exposure level over the total working period.

An estimation of the level of exposure to vibration should also take into account the times when the tool is switched off or when it is running but not actually doing the job. This may significantly reduce the exposure level over the total working period.

Identify additional safety measures to protect the operator from the effects of vibration such as: maintain the tool and the accessories, keep the hands warm, organisation of work patterns.

⚠ WARNING Read all safety warnings, instructions, illustrations and specifications provided with this power tool. Failure to follow all instructions listed below may result in electric shock, fire and/or serious injury.

Save all warnings and instructions for future reference.

⚠ JIG SAW SAFETY WARNINGS

Hold the power tool by insulated gripping surfaces, when performing an operation where the cutting accessory may contact hidden wiring. Cutting accessory contacting a „live“ wire may make exposed metal parts of the power tool „live“ and could give the operator an electric shock.

Use clamps or another practical way to secure and support the workpiece to a stable platform. Holding the work by your hand or against the body leaves it unstable and may lead to loss of control.

Wear ear protectors. Exposure to noise can cause hearing loss.

ADDITIONAL SAFETY AND WORKING INSTRUCTIONS

Use protective equipment. Always wear safety glasses when working with the machine. The use of protective clothing is recommended, such as dust mask, protective gloves, sturdy non-slip footwear, helmet and ear defenders.

The dust produced when using this tool may be harmful to health. Do not inhale the dust. Wear a suitable dust protection mask.

Do not machine any materials that present a danger to health (e.g. asbestos).

Switch the device off immediately if the insertion tool stalls! Do not switch the device on again while the insertion tool is stalled, as doing so could trigger a sudden recoil with a high reactive force. Determine why the insertion tool stalled and rectify this, paying heed to the safety instructions.

The possible causes may be:

- it is tilted in the workpiece to be machined
- it has pierced through the material to be machined
- the power tool is overloaded

Do not reach into the machine while it is running.

The insertion tool may become hot during use.

WARNING! Danger of burns

- when changing tools
- when setting the device down

Chips and splinters must not be removed while the machine is running.

When working in walls ceiling, or floor, take care to avoid electric cables and gas or waterpipes.

Clamp your workpiece with a clamping device. Unclamped workpieces can cause severe injury and damage.

Do not use cracked or distorted saw blades.

Plunge cuts without pre-drilling a hole are possible with soft materials (wood, light building materials for walls). Harder materials (metals) must first be drilled with a hole corresponding to the size of the saw blade.

Remove the battery pack before starting any work on the machine.

Do not dispose of used battery packs in the household refuse or by burning them. Milwaukee Distributors offer to retrieve old batteries to protect our environment.

Do not store the battery pack together with metal objects (short circuit risk).

No metal parts must be allowed to enter the battery section of the charger (short circuit risk).

Use only System M18 chargers for charging System M18 battery packs. Do not use battery packs from other systems.

Never break open battery packs and chargers and store only in dry rooms. Keep dry at all times.

Battery acid may leak from damaged batteries under extreme load or extreme temperatures. In case of contact with battery acid wash it off immediately with soap and water. In case of eye contact rinse thoroughly for at least 10 minutes and immediately seek medical attention.

Warning! To reduce the risk of fire, personal injury, and product damage due to a short circuit, never immerse your tool, battery pack or charger in fluid or allow a fluid to flow inside them. Corrosive or conductive fluids, such as seawater, certain industrial chemicals, and bleach or bleach containing products, etc., can cause a short circuit.

SPECIFIED CONDITIONS OF USE

This jig saw can cut wood, plastic and metal; it can cut straight lines, bevels, curves, and internal cut-outs.

Do not use this product in any other way as stated for normal use.

EC-DECLARATION OF CONFORMITY

We declare under our sole responsibility that the product described under "Technical Data" fulfills all the relevant regulations and the directives 2011/65/EU (RoHS), 2014/30/EU, 2006/42/EC, and the following harmonized standards have been used:

EN 62841-1:2015

EN 62841-2-11:2016

EN 55014-1:2017

EN 55014-2:2015

EN 50581:2012

Winnenden, 2018-03-31

Alexander Krug

Alexander Krug
Managing Director

Authorized to compile the technical file

Techtronic Industries GmbH

Max-Eyth-Straße 10

71364 Winnenden

Germany



LOAD-DEPENDENT MOTOR PROTECTION:

If the motor is overloaded, the overload protection will trip. To continue working, switch the machine off and then on again.*

SMOOTH START

Electronic smooth start for save use prevents jerky run-up of the machine.

BATTERIES

Battery packs which have not been used for some time should be recharged before use.

Temperatures in excess of 50°C (122°F) reduce the performance of the battery pack. Avoid extended exposure to heat or sunshine (risk of overheating).

The contacts of chargers and battery packs must be kept clean.

For an optimum life-time, the battery packs have to be fully charged, after use.

To obtain the longest possible battery life remove the battery pack from the charger once it is fully charged.

For battery pack storage longer than 30 days:

Store the battery pack where the temperature is below 27°C and away from moisture

Store the battery packs in a 30% - 50% charged condition

Every six months of storage, charge the pack as normal.

BATTERY PACK PROTECTION LI-ION BATTERY

The battery pack has overload protection that protects it from being overloaded and helps to ensure long life.

Under extreme stress the battery electronics switch off the machine automatically. To restart, switch the machine off and then on again. If the machine does not start up again, the battery pack may have discharged completely. In this case it must be recharged in the battery charger.

TRANSPORTING LITHIUM BATTERIES

Lithium-ion batteries are subject to the Dangerous Goods Legislation requirements.

Transportation of those batteries has to be done in accordance with local, national and international provisions and regulations.

- The user can transport the batteries by road without further requirements.
- Commercial transport of Lithium-Ion batteries by third parties is subject to Dangerous Goods regulations. Transport preparation and transport are exclusively to be carried out by appropriately trained persons and the process has to be accompanied by corresponding experts.

When transporting batteries:

- Ensure that battery contact terminals are protected and insulated to prevent short circuit.
- Ensure that battery pack is secured against movement within packaging.
- Do not transport batteries that are cracked or leak.

Check with forwarding company for further advice

MAINTENANCE

The ventilation slots of the machine must be kept clear at all times.

Use only Milwaukee accessories and spare parts. Should components need to be replaced which have not been described, please contact one of our Milwaukee service agents (see our list of guarantee/service addresses).

If needed, an exploded view of the tool can be ordered. Please state the Article No. as well as the machine type printed on the label and order the drawing at your local service agents or directly at: Techtronic Industries GmbH, Max-Eyth-Straße 10, 71364 Winnenden, Germany.

SYMBOLS



CAUTION! WARNING! DANGER!



Remove the battery pack before starting any work on the machine.



Please read the instructions carefully before starting the machine.



Always wear goggles when using the machine.



Wear gloves!



Wear ear protectors!



Accessory - Not included in standard equipment, available as an accessory.



Do not dispose electric tools, batteries/rechargeable batteries together with household waste material. Electric tools and batteries that have reached the end of their life must be collected separately and returned to an environmentally compatible recycling facility. Check with your local authority or retailer for recycling advice and collection point.



Stroke rate under no-load



Volts



Direct current



European Conformity Mark



Ukraine Conformity Mark



Eurasian Conformity Mark

TECHNISCHE DATEN	AKKU-STICHSÄGE	M18 FJS
Produktionsnummer	4692 59 01... ..000001-999999	
Spannung Wechselakku	18 V	
Leerlaufhubzahl	0-3500 min ⁻¹ (+/- 10%)	
Hubhöhe	25 mm	
Schrägschnitte bis	45°	
Schnittiefe max. in:		
Holz	100 mm	
Aluminium	19 mm	
Stahl	10 mm	
Gewicht nach EPTA-Prozedur 01/2014 (2,0 Ah - 12,0 Ah)	2,63 - 3,69 kg	
Empfohlene Umgebungstemperatur beim Arbeiten	-18...+50 °C	
Empfohlene Akkutypen	M18B2... M18B9, M18HB12	
Empfohlene Ladegeräte	M12-18 ... ; M1418C6	

Geräusch/Vibrationsinformation

Messwerte ermittelt entsprechend EN 62841.

Der A-bewertete Geräuschpegel des Gerätes beträgt typischerweise:

Schalldruckpegel (Unsicherheit K=3dB(A))

Schalleistungspegel (Unsicherheit K=3dB(A))

Gehörschutz tragen!

Schwingungsgesamtwerte (Vektorsumme dreier Richtungen) ermittelt entsprechend EN 62841.

Sägen von Holz *1:

Schwingungsemissionswert a_h

Unsicherheit K =

Sägen von Metallblech *2:

Schwingungsemissionswert a_h

Unsicherheit K =

*1 mit Sägeblatt BIM, Größe 100 x 7,5 x 1,0 mm und Zahnteilung 2,5 mm

*2 mit Sägeblatt BIM, Größe 75 x 7,5 x 1,0 und Zahnteilung 1,8 mm

WARNUNG

Der in diesen Anweisungen angegebene Schwingungspegel ist entsprechend einem in EN 62841 genormten Messverfahren gemessen worden und kann für den Vergleich von Elektrowerkzeugen miteinander verwendet werden. Er eignet sich auch für eine vorläufige Einschätzung der Schwingungsbelastung.

Der angegebene Schwingungspegel repräsentiert die hauptsächlichsten Anwendungen des Elektrowerkzeugs. Wenn allerdings das Elektrowerkzeug für andere Anwendungen, mit abweichenden Einsatzwerkzeugen oder ungenügender Wartung eingesetzt wird, kann der Schwingungspegel abweichen. Dies kann die Schwingungsbelastung über den gesamten Arbeitszeitraum deutlich erhöhen.

Für eine genaue Abschätzung der Schwingungsbelastung sollten auch die Zeiten berücksichtigt werden, in denen das Gerät abgeschaltet ist oder zwar läuft, aber nicht tatsächlich im Einsatz ist. Dies kann die Schwingungsbelastung über den gesamten Arbeitszeitraum deutlich reduzieren.

Legen Sie zusätzliche Sicherheitsmaßnahmen zum Schutz des Bedieners vor der Wirkung von Schwingungen fest wie zum Beispiel: Wartung von Elektrowerkzeug und Einsatzwerkzeugen, Warmhalten der Hände, Organisation der Arbeitsabläufe.

⚠️ WARNUNG! Lesen Sie alle Sicherheitshinweise, Anweisungen, Darstellungen und Spezifikationen für dieses Elektrowerkzeug. Versäumnisse bei der Einhaltung der nachstehenden Anweisungen können elektrischen Schlag, Brand und/oder schwere Verletzungen verursachen.
Bewahren Sie alle Sicherheitshinweise und Anweisungen für die Zukunft auf.

⚠️ SICHERHEITSHINWEISE FÜR STICHSÄGEN

Halten Sie das Elektrowerkzeug an den isolierten Griffflächen, wenn Sie Arbeiten ausführen, bei denen das Einsatzwerkzeug verborgene Stromleitungen treffen kann.

Der Kontakt mit einer spannungsführenden Leitung kann metallene Geräteteile unter Spannung setzen und zu einem elektrischen Schlag führen.

Befestigen und sichern Sie das Werkstück mittels Zwingen oder auf andere Art und Weise an einer stabilen Unterlage. Wenn Sie das Werkstück nur mit der Hand oder gegen Ihren Körper halten, bleibt es labil, was zum Verlust der Kontrolle führen kann.

Tragen Sie Gehörschutz. Die Einwirkung von Lärm kann Hörverlust bewirken.

WEITERE SICHERHEITS- UND ARBEITSHINWEISE

Schutzausrüstung verwenden. Beim Arbeiten mit der Maschine stets Schutzbrille tragen. Schutzkleidung wie Staubschutzmaske, Schutzhandschuhe, festes und rutschsicheres Schuhwerk, Helm und Gehörschutz werden empfohlen.

Beim Arbeiten entstehender Staub ist oft gesundheitsschädlich und sollte nicht in den Körper gelangen. Geeignete Staubschutzmaske tragen.

Es dürfen keine Materialien bearbeitet werden, von denen eine Gesundheitsgefährdung ausgeht (z.B. Asbest).

Beim Blockieren des Einsatzwerkzeuges bitte das Gerät sofort ausschalten! Schalten Sie das Gerät nicht wieder ein, solange das Einsatzwerkzeug blockiert ist; hierbei könnte ein Rückschlag mit hohem Reaktionsmoment entstehen. Ermitteln und beheben Sie die Ursache für die Blockierung des Einsatzwerkzeuges unter Berücksichtigung der Sicherheitshinweise.

Mögliche Ursachen dafür können sein:

- Verkanten im zu bearbeitenden Werkstück
- Durchbrechen des zu bearbeitenden Materials
- Überlasten des Elektrowerkzeuges

Greifen Sie nicht in die laufende Maschine.

Das Einsatzwerkzeug kann während der Anwendung heiß werden.

WARNUNG! Verbrennungsgefahr

- bei Werkzeugwechsel
- bei Ablegen des Gerätes

Späne oder Splitter dürfen bei laufender Maschine nicht entfernt werden.

Beim Arbeiten in Wand, Decke oder Fußboden auf elektrische Kabel, Gas- und Wasserleitungen achten.

Sichern Sie Ihr Werkstück mit einer Spannvorrichtung. Nicht gesicherte Werkstücke können schwere Verletzungen und Beschädigungen verursachen.

Rissige Sägeblätter oder solche, die ihre Form verändert haben, dürfen nicht verwendet werden!

Tauchsägen ist nur in weicheren Materialien (Holz, Leichtbaustoffe für Wände) möglich, bei härteren Materialien (Metalle) muss eine dem Sägeblatt entsprechend große Bohrung angebracht werden.

Vor allen Arbeiten an der Maschine den Wechselakku herausnehmen

Verbrauchte Wechselakku nicht ins Feuer oder in den Hausmüll werfen. Milwaukee bietet eine umweltgerechte Alt-Wechselakku-Entsorgung an; bitte fragen Sie Ihren Fachhändler.

Wechselakku nicht zusammen mit Metallgegenständen aufbewahren (Kurzschlussgefahr).

In den Wechselakku-Einschubschacht der Ladegeräte dürfen keine Metallteile gelangen (Kurzschlussgefahr).

Wechselakku des Systems M18 nur mit Ladegeräten des Systems M18 laden. Keine Akkus aus anderen Systemen laden.

Wechselakku und Ladegeräte nicht öffnen und nur in trockenen Räumen lagern. Vor Nässe schützen.

Unter extremer Belastung oder extremer Temperatur kann aus beschädigten Wechselakku Batterieflüssigkeit auslaufen. Bei Berührung mit Batterieflüssigkeit sofort mit Wasser und Seife abwaschen. Bei Augenkontakt sofort mindestens 10 Minuten gründlich spülen und unverzüglich einen Arzt aufsuchen.

Warnung! Um die durch einen Kurzschluss verursachte Gefahr eines Brandes, von Verletzungen oder Produktbeschädigungen zu vermeiden, tauchen Sie das Werkzeug, den Wechselakku oder das Ladegerät nicht in Flüssigkeiten ein und sorgen Sie dafür, dass keine Flüssigkeiten in die Geräte und Akkus eindringen. Korrodierende oder leitfähige Flüssigkeiten, wie Salzwasser, bestimmte Chemikalien und Bleichmittel oder Produkte, die Bleichmittel enthalten, können einen Kurzschluss verursachen.

BESTIMMUNGSGEMÄSSE VERWENDUNG

Die Stichsäge sägt Holz, Kunststoff und Metall. Sie schneidet Geraden, Gehrungen, Kurven und Innenausschnitte.

Dieses Gerät darf nur wie angegeben bestimmungsgemäß verwendet werden.

CE-KONFORMITÄTSERKLÄRUNG

Wir erklären in alleiniger Verantwortung, dass das unter „Technische Daten“ beschriebene Produkt mit allen relevanten Vorschriften der Richtlinie 2011/65/EU (RoHS), 2014/30/EU, 2006/42/EG und den folgenden harmonisierten normativen Dokumenten übereinstimmt:

EN 62841-1:2015

EN 62841-2-11:2016

EN 55014-1:2017

EN 55014-2:2015

EN 50581:2012

Winnenden, 2018-03-31

Alexander Krug

Alexander Krug

Managing Director

Bevollmächtigt die technischen Unterlagen zusammenzustellen

Technronic Industries GmbH

Max-Eyth-Straße 10

71364 Winnenden

Germany



BELASTUNGSABHÄNGIGER MOTORSCHUTZ

Bei hoher Motorüberlastung wird der Überlastschutz ausgelöst. Um weiter zu arbeiten Maschine aus- und wieder einschalten.

SANFTANLAUF

Elektronischer Sanftanlauf für sichere Handhabung verhindert beim Einschalten ein ruckartiges Anlaufen der Maschine.

AKKUS

Längere Zeit nicht benutzte Wechselakkus vor Gebrauch nachladen.

Eine Temperatur über 50°C vermindert die Leistung des Wechselakkus. Längere Erwärmung durch Sonne oder Heizung vermeiden.

Die Anschlusskontakte an Ladegerät und Wechselakku sauber halten.

Für eine optimale Lebensdauer müssen nach dem Gebrauch die Akkus voll geladen werden.

Für eine möglichst lange Lebensdauer sollten die Akkus nach dem Aufladen aus dem Ladegerät entfernt werden.

Bei Lagerung des Akkus länger als 30 Tage:

Akku bei ca. 27°C und trocken lagern.

Akku bei ca. 30%-50% des Ladezustandes lagern.

Akku alle 6 Monate erneut aufladen.

AKKUÜBERLASTSCHUTZ LI-ION AKKU

Der Akkupack ist mit einem Überlastschutz ausgestattet, der den Akku vor Überlastung schützt und eine hohe Lebensdauer sicherstellt.

Bei extrem starker Beanspruchung schaltet die Akkuelektronik die Maschine automatisch ab. Zum Weiterarbeiten Maschine Aus- und wieder Einschalten. Sollte die Maschine nicht wieder anlaufen, ist der Akkupack möglicherweise entladen und muss im Ladegerät wieder aufgeladen werden.

TRANSPORT VON LITHIUM-IONEN-AKKUS

Lithium-Ionen-Akkus fallen unter die gesetzlichen Bestimmungen zum Gefahrguttransport.

Der Transport dieser Akkus muss unter Einhaltung der lokalen, nationalen und internationalen Vorschriften und Bestimmungen erfolgen.

• Verbraucher dürfen diese Akkus ohne Weiteres auf der Straße transportieren.

• Der kommerzielle Transport von Lithium-Ionen-Akkus durch Speditionunternehmen unterliegt den Bestimmungen des Gefahrguttransports. Die Versandvorbereitungen und der Transport dürfen ausschließlich von entsprechend geschulいたen Personen durchgeführt werden. Der gesamte Prozess muss fachmännisch begleitet werden.

Folgende Punkte sind beim Transport von Akkus zu beachten:

• Stellen Sie sicher, dass die Kontakte geschützt und isoliert sind, um Kurzschlüsse zu vermeiden.

• Achten Sie darauf, dass der Akkupack innerhalb der Verpackung nicht verrutschen kann.

• Beschädigte oder auslaufende Akkus dürfen nicht transportiert werden.

Wenden Sie sich für weitere Hinweise an Ihr Speditionunternehmen.

WARTUNG

Stets die Lüftungsschlitze der Maschine sauber halten.

Nur Milwaukee Zubehör und Ersatzteile verwenden. Bauteile, deren Austausch nicht beschrieben wurde, bei einer Milwaukee Kundendienststelle auswechseln lassen (Broschüre Garantie/Kundendienstadressen beachten).

Bei Bedarf kann eine Explosionszeichnung des Gerätes unter Angabe der Maschinen Type und der sechsstelligen Nummer auf dem Leistungsschild bei Ihrer

Kundendienststelle oder direkt bei Technronic Industries GmbH, Max-Eyth-Straße 10, 71364 Winnenden, Germany angefordert werden.

SYMBOLS



ACHTUNG! WARNUNG! GEFAHR!



Vor allen Arbeiten an der Maschine den Wechselakku herausnehmen



Bitte lesen Sie die Gebrauchsanweisung vor Inbetriebnahme sorgfältig durch.



Beim Arbeiten mit der Maschine stets Schutzbrille tragen.



Schutzhandschuhe tragen!



Gehörschutz tragen!



Zubehör - Im Lieferumfang nicht enthalten, empfohlene Ergänzung aus dem Zubehörprogramm.



Elektrogeräte, Batterien/Akkus dürfen nicht zusammen mit dem Hausmüll entsorgt werden. Elektrische Geräte und Akkus sind getrennt zu sammeln und zur umweltgerechten Entsorgung bei einem Verwertungsbetrieb abzugeben. Erkundigen Sie sich bei den örtlichen Behörden oder bei Ihrem Fachhändler nach Recyclinghöfen und Sammelstellen.



Leerlaufhubzahl



Spannung



Gleichstrom



Europäisches Konformitätszeichen



Ukrainisches Konformitätszeichen



Euroasiatisches Konformitätszeichen

CARACTÉRISTIQUES TECHNIQUES	SCIE SAUTEUSE SANS FIL	M18 FJS
Numéro de série.....	4692 59 01... ...000001-999999	
Tension accu interchangeable.....	18 V	
Nombre de courses à vide.....	0-3500 min ⁻¹ (+/- 10%)	
Hauteur de la course.....	25 mm	
Coupe de biais jusqu'à.....	45°	
Profondeur de coupe max. :		
Bois.....	100 mm	
Aluminium.....	19 mm	
Acier.....	10 mm	
Poids suivant EPTA-Procédure 01/2014 (2,0 Ah - 12,0 Ah).....	2,63 - 3,69 kg	
Température conseillée lors du travail.....	-18...+50 °C	
Batteries conseillées.....	M18B2... M18B9, M18HB12	
Chargeurs de batteries conseillés.....	M12-18 ... ; M1418C6	

Informations sur le bruit et les vibrations

Valeurs de mesure obtenues conformément à la EN 62841.

Les mesures réelles (A) des niveaux acoustiques de l'appareil sont :

Niveau de pression acoustique (Incertitude K=3dB(A))..... 88,68 dB (A)

Niveau d'intensité acoustique (Incertitude K=3dB(A))..... 99,68 dB (A)

Toujours porter une protection acoustique!

Valeurs totales des vibrations (somme vectorielle de trois sens) établies conformément à EN 62841.

Sciage du bois *1

Valeur d'émission vibratoire a_h..... 21,25 m/s²

Incertitude K..... 1,5 m/s²

Sciage de la tôle métallique *2

Valeur d'émission vibratoire a_h..... 17,34 m/s²

Incertitude K..... 1,5 m/s²

*1 avec lame de scie BIM, dimension 100 x 7,5 x 1,0 mm et pas de dent 2,5 mm

*2 avec lame de scie BIM, dimension 75 x 7,5 x 1,0 et pas de dent 1,8 mm

AVERTISSEMENT

Le niveau vibratoire indiqué dans ces instructions a été mesuré selon un procédé de mesure normalisé dans la norme EN 62841 et peut être utilisé pour comparer des outils électriques entre eux. Il convient aussi à une estimation provisoire de la sollicitation par les vibrations.

Le niveau vibratoire indiqué représente les applications principales de l'outil électrique. Toutefois, si l'outil électrique est utilisé pour d'autres applications, avec des outils rapportés qui diffèrent ou une maintenance insuffisante, il se peut que le niveau vibratoire diverge. Cela peut augmenter nettement la sollicitation par les vibrations sur tout l'intervalle de temps du travail.

Pour une estimation précise de la sollicitation par les vibrations, on devrait également tenir compte des temps pendant lesquels l'appareil n'est pas en marche ou tourne sans être réellement en service. Cela peut réduire nettement la sollicitation par les vibrations sur tout l'intervalle de temps du travail.

Définissez des mesures de sécurité supplémentaires pour protéger l'utilisateur contre l'influence des vibrations, comme par exemple : la maintenance de l'outil électrique et des outils rapportés, le maintien au chaud des mains, l'organisation des déroulements de travail.

AVERTISSEMENT! Lire tous les avertissements de sécurité, les instructions opérationnelles, les illustrations et les spécifications fournies avec cet outil électrique. La non observance des instructions mentionnées ci-dessous peut causer des chocs électriques, des incendies ou de graves blessures.
Conserver tous les avertissements et toutes les instructions pour pouvoir s'y reporter ultérieurement.

CONSIGNES DE SÉCURITÉ CONCERNANT LES SCIES ALTERNATIVES

Tenir l'outil électrique par des surfaces de préhension isolées pendant toute opération au cours de laquelle l'accessoire de coupe peut entrer en contact avec des fils dissimulés. Des accessoires de coupe entrant en contact avec un fil "actif" peuvent rendre "actives" des parties métalliques accessibles de l'outil électrique et provoquer un choc électrique chez l'opérateur.

Utiliser des pinces ou un autre moyen pratique pour fixer et soutenir la pièce à usiner sur une plateforme stable. Lorsqu'elle est tenue avec la main ou contre le corps, la pièce à usiner reste instable et cela peut conduire à une perte de contrôle.

Portez une protection acoustique. L'influence du bruit peut provoquer la surdité.

AVIS COMPLÉMENTAIRES DE SÉCURITÉ ET DE TRAVAIL

Utiliser l'équipement de protection. Toujours porter des lunettes de protection pendant le travail avec la machine. Il est recommandé de porter des articles de protection, tels que masque antipoussière, gants de protection, chaussures tenant bien aux pieds et antidérapantes, casque et protection acoustique.

Les poussières qui sont dégagées pendant les travaux sont souvent nocives pour la santé et ne devraient pas pénétrer dans le corps. Porter un masque de protection approprié contre les poussières.

Il est interdit de travailler des matériaux dangereux pour la santé (par ex. amiante).

Désactiver immédiatement le dispositif en cas de blocage ! Ne pas réactiver le dispositif avec l'outil bloqué; il y a le risque de provoquer un contrecoup avec moment de réaction élevé. Établir et éliminer la cause du blocage de l'outil en prêtant attention aux consignes de sécurité.

Les causes possibles sont :

- Encastrement dans la pièce à travailler.
- Le dispositif a traversé le matériau à travailler en le cassant.

- Le dispositif électrique a été surchargé.

Ne pas approcher les mains de la partie en mouvement de la machine.

Durant l'utilisation, l'outil peut se surchauffer.

AVERTISSEMENT! Danger de brûlures

- durant le remplacement de l'outil
- durant la dépose de l'outil

Ne jamais enlever les copeaux ni les éclats lorsque la machine est en marche.

Lors du perçage dans les murs, les plafonds ou les planchers, toujours faire attention aux câbles électriques et aux conduites de gaz et d'eau.

Fixer fermement la pièce en exécution à l'aide d'un dispositif de serrage. Des pièces en exécution non fermement fixées peuvent provoquer des dommages et des lésions graves.

Ne pas utiliser de lames de scie fissurées ou déformées.

Le sciage en plongée n'est possible que dans des matériaux tendres (bois, matériaux de construction légers pour les murs). Si les matériaux sont plus durs (métaux), une percée plus importante doit être faite au moyen de la lame.

Avant tous travaux sur la machine retirer l'accu interchangeable.

Ne pas jeter les accus interchangeables usés au feu ou avec les déchets ménagers. Milwaukee offre un système d'évacuation écologique des accus usés.

Ne pas conserver les accus interchangeables avec des objets métalliques (risque de court-circuit)

Aucune pièce métallique ne doit pénétrer dans le logement d'accu du chargeur (risque de court-circuit)

Ne charger les accus interchangeables du système M18 qu'avec le chargeur d'accus du système M18. Ne pas charger des accus d'autres systèmes.

Ne pas ouvrir les accus interchangeables et les chargeurs et ne les stocker que dans des locaux secs. Les protéger contre l'humidité.

En cas de conditions ou températures extrêmes, du liquide caustique peut s'échapper d'un accu interchangeable endommagé. En cas de contact avec le liquide caustique de la batterie, laver immédiatement avec de l'eau et du savon. En cas de contact avec les yeux, rincer soigneusement avec de l'eau et consulter immédiatement un médecin.

AVERTISSEMENT! Pour réduire le risque d'incendie, de blessures corporelles et de dommages causés par un court-circuit, ne jamais immerger l'outil, le bloc-piles ou le chargeur dans un liquide ou laisser couler un fluide à l'intérieur de celui-ci. Les fluides

corrosifs ou conducteurs, tels que l'eau de mer, certains produits chimiques industriels, les produits de blanchiment ou de blanchiment, etc., peuvent provoquer un court-circuit.

UTILISATION CONFORME AUX PRESCRIPTIONS

La scie sauteuse permet de scier du bois, des matières plastiques et du métal. Elle permet des découpes rectilignes et curvilignes, des coupes d'onglet et des découpes intérieures.

Comme déjà indiqué, cette machine n'est conçue que pour être utilisée conformément aux prescriptions.

DÉCLARATION CE DE CONFORMITÉ

Nous déclarons sous notre seule responsabilité que le produit décrit sous « Caractéristiques techniques » concorde avec toutes les consignes pertinentes de la directive 2011/65 EU (RoHS), 2014/30/UE, 2006/42/CE et les documents normatifs harmonisés suivants :

EN 62841-1:2015
EN 62841-2-11:2016
EN 55014-1:2017
EN 55014-2:2015
EN 50581:2012

Winnenden, 2018-03-31

Alexander Krug

Alexander Krug
Managing Director

Autorisé à compiler la documentation technique.

Techtronic Industries GmbH

Max-Eyth-Straße 10

71364 Winnenden

Germany



DISJONCTEUR DE MOTEUR DÉPENDANT DE LA CHARGE

Le disjoncteur de surcharge est déclenché en cas d'une haute surcharge du moteur. Mettre la machine hors tension et l'enclencher à nouveau pour pouvoir continuer à travailler.

DÉMARRAGE EN DOUCEUR

Démarrage électronique en douceur garantissant un maniement fiable tout en empêchant un démarrage brusque lors de la mise en marche de la machine.

ACCUS

Recharger les accus avant utilisation après une longue période de non utilisation.

Une température supérieure à 50°C amoindrit la capacité des accus. Éviter les expositions prolongées au soleil ou au chauffage.

Tenir propres les contacts des accus et des chargeurs.

Pour une durée de vie optimale, les accus doivent être chargés à fond après l'utilisation. Pour une plus longue durée de vie, enlever les batteries du chargeur de batterie quand celles-ci seront chargées.

En cas d'entreposage de la batterie pour plus de 30 jours:

Entreposer la batterie à 27°C environ dans un endroit sec.

Entreposer la batterie avec une charge d'environ 30% - 50%.

Recharger la batterie tous les 6 mois.

PROTECTION DE L'ACCU CONTRE LES SURCHARGES

Le bloc d'accus est équipé d'un dispositif de protection contre la surcharge qui protège l'accu contre une surcharge et qui assure une longue durée de vie.

En cas de sollicitation extrêmement élevée, l'unité électronique de l'accu éteint la machine automatiquement. Pour continuer le travail, il convient d'éteindre la machine et de l'enclencher à nouveau. Si la machine ne redémarre pas, il se peut que le bloc d'accus soit déchargé et qu'il doive être rechargé dans le chargeur.

TRANSPORT DE BATTERIES LITHIUM-ION

Les batteries lithium-ion sont soumises aux dispositions législatives concernant le transport de produits dangereux.

Le transport de ces batteries devra s'effectuer dans le respect des dispositions et des normes locales, nationales et internationales.

- Les utilisateurs peuvent transporter ces batteries sans restrictions.
- Le transport commercial de batteries lithium-ion est réglé par les dispositions concernant le transport de produits dangereux. La préparation au transport et le transport devront être effectués uniquement par du personnel formé de façon adéquate. Tout le procédé devra être géré d'une manière professionnelle.

Durant le transport de batteries il faut respecter les consignes suivantes :

- S'assurer que les contacts soient protégés et isolés en vue d'éviter des courts-circuits.
- S'assurer que le groupe de batteries ne puisse pas se déplacer à l'intérieur de son emballage.
- Des batteries endommagées ou des batteries perdant du liquide ne devront pas être transportées.

Pour tout renseignement complémentaire veuillez vous adresser à votre transporteur

ENTRETIEN

Tenir toujours propres les orifices de ventilation de la machine.

N'utiliser que des pièces et accessoires Milwaukee. Pour des pièces dont l'échange n'est pas décrit, s'adresser de préférence aux stations de service après-vente Milwaukee (voir brochure Garantie/Adresses des stations de service après-vente).

Si besoin est, une vue éclatée de l'appareil peut être fournie. S'adresser, en indiquant bien le numéro porté sur la plaque signalétique, à votre station de service après-vente (voir liste jointe) ou directement à Techtronic Industries GmbH, Max-Eyth-Straße 10, 71364 Winnenden, Germany.

SYMBOLES



ATTENTION! AVERTISSEMENT! DANGER!



Avant tous travaux sur la machine retirer l'accu interchangeable.



Veuillez lire avec soin le mode d'emploi avant la mise en service



Toujours porter des lunettes protectrices en travaillant avec la machine.



Porter des gants de protection!



Toujours porter une protection acoustique!



Accessoires - Ces pièces ne font pas partie de la livraison. Il s'agit là de compléments recommandés pour votre machine et énumérés dans le catalogue des accessoires.



Les dispositifs électriques, les batteries et les batteries rechargeables ne sont pas à éliminer dans les déchets ménagers. Les dispositifs électriques et les batteries sont à collecter séparément et à remettre à un centre de recyclage en vue de leur élimination dans le respect de l'environnement. S'adresser aux autorités locales ou au détaillant spécialisé en vue de connaître l'emplacement des centres de recyclage et des points de collecte.



Nombre de courses à vide



Voltage



Courant continu



Marque de conformité européenne



Marque de conformité ukrainienne



Marque de conformité d'Eurasie

DATI TECNICI	SEGHETTO A BATTERIA	M18 FJS
Numero di serie	4692 59 01... ...000001-999999	
Tensione batteria	18 V	
Numero di corse a vuoto	0-3500 min ⁻¹ (+/- 10%)	
Altezza corsa	25 mm	
Tagli obliqui fino a	45°	
Massima profondità di taglio nel:		
Legno	100 mm	
Alluminio	19 mm	
Acciaio	10 mm	
Peso secondo la procedura EPTA 01/2014 (2,0 Ah - 12,0 Ah).....	2,63 - 3,69 kg	
Temperatura consigliata durante il lavoro.....	-18...+50 °C	
Batterie consigliate	M18B2... M18B9, M18HB12	
Caricatori consigliati	M12-18 ... ; M1418C6	

Informazioni sulla rumorosità/sulle vibrazioni

Valori misurati conformemente alla norma EN 62841.

La misurazione A del livello di pressione acustica dell'utensile è di solito di:

Livello di rumorosità (Incertezza della misura K=3dB(A))..... 88,68 dB (A)

Potenza della rumorosità (Incertezza della misura K=3dB(A))..... 99,68 dB (A)

Utilizzare le protezioni per l'udito!

Valori totali delle oscillazioni (somma di vettori in tre direzioni) misurati conformemente alla norma EN 62841

Segatura di legno *1

Valore di emissione dell'oscillazione a..... 21,25 m/s²

Incertezza della misura K..... 1,5 m/s²

Segatura di lamiera *2

Valore di emissione dell'oscillazione a..... 17,34 m/s²

Incertezza della misura K..... 1,5 m/s²

*1 con lama di sega BIM, dimensioni 100 x 7,5 x 1,0 mm e passo dei denti 2,5 mm

*2 con lama di sega BIM, dimensioni 75 x 7,5 x 1,0 e passo dei denti 1,8 mm

AVVERTENZA

Il livello di vibrazioni indicato nelle presenti istruzioni è stato misurato in conformità con un procedimento di misurazione codificato nella EN 62841 e può essere utilizzato per un confronto tra attrezzi elettrici. Inoltre si può anche utilizzare per una valutazione preliminare della sollecitazione da vibrazioni.

Il livello di vibrazioni indicato rappresenta le applicazioni principali dell'attrezzo elettrico. Se viceversa si utilizza l'attrezzo elettrico per altri scopi, con accessori differenti o con una manutenzione insufficiente, il livello di vibrazioni può risultare diverso. E questo può aumentare decisamente la sollecitazione da vibrazioni lungo l'intero periodo di lavorazione.

Ai fini di una valutazione precisa della sollecitazione da vibrazioni si dovrebbero tenere presente anche i periodi in cui l'apparecchio rimane spento oppure, anche se acceso, non viene effettivamente utilizzato. Ciò può ridurre notevolmente la sollecitazione da vibrazioni lungo l'intero periodo di lavorazione.

Stabilite misure di sicurezza supplementari per la tutela dell'operatore dall'effetto delle vibrazioni, come ad esempio: manutenzione dell'attrezzo elettrico e degli accessori, riscaldamento delle mani, organizzazione dei processi di lavoro.

⚠ AVVERTENZA! Leggere tutte le avvertenze di sicurezza, istruzioni operative, illustrazioni e specifiche fornite con questo elettrotensile. Il mancato rispetto delle istruzioni di seguito riportate può causare scosse elettriche, incendi e/o lesioni gravi.

Conservare tutte le avvertenze di pericolo e le istruzioni operative per ogni esigenza futura.

⚠ INDICAZIONI DI SICUREZZA PER SEGHE ALTERNATIVE

Impugnare l'apparecchio sulle superfici di tenuta isolate mentre si eseguono lavori durante i quali l'utensile da taglio potrebbe entrare in contatto con cavi di corrente.

L'eventuale contatto dell'utensile da taglio con un cavo sotto tensione potrebbe mettere sotto tensione le parti metalliche dell'apparecchio e provocare una folgorazione.

Usare morsetti a vite o altri ausili pratici per fissare il pezzo da lavorare su di una base stabile. Tenere il pezzo da lavorare con la mano o cercare di fissarlo con il corpo potrebbe comportare lo slittamento del pezzo, con conseguente perdita del controllo.

Indossare protezioni acustiche adeguate. L'esposizione prolungata al rumore senza protezione può causare danni all'udito.

ULTERIORI AVVISI DI SICUREZZA E DI LAVORO

Usare dispositivi di protezione. Durante il lavoro con la macchina bisogna sempre portare occhiali di protezione. Si consiglia di indossare indumenti di protezione come maschera antipolvere, guanti di protezione, scarpe antiscivolo robuste, casco e cuffie di protezione acustica.

La polvere che si produce durante il lavoro è spesso dannosa per la salute e non dovrebbe essere aspirata. Durante un'adeguata mascherina protettiva.

E' vietato lavorare materiali che possono costituire pericoli alla salute (ad es. amianto).

Spegnerne immediatamente il dispositivo in caso di bloccaggio! Non riaccendere il dispositivo fino a quando l'utensile ad inserto resta bloccato; esiste il rischio di causare un contraccolpo con elevato momento di reazione. Rilevare ed eliminare la causa del bloccaggio dell'utensile ad inserto tenendo conto delle indicazioni di sicurezza.

Le possibili cause sono:

- Incastro nel pezzo in lavorazione

- Il dispositivo ha attraversato il materiale da lavorare rompendolo

- Il dispositivo elettrico è stato sovraccaricato

Non avvicinare le mani alla parte della macchina in movimento.

Durante l'uso l'utensile ad inserto può surriscaldarsi.

AVVERTENZA! Pericolo di ustioni

- durante la sostituzione dell'utensile

- durante il deposito dell'utensile

Non rimuovere trucioli o schegge mentre l'utensile è in funzione.

Forando pareti, soffitti o pavimenti, si faccia attenzione ai cavi elettrici e alle condutture dell'acqua e del gas.

Fissare in sicurezza il pezzo in lavorazione con un dispositivo di serraggio. Pezzi in lavorazione che non siano fissati in sicurezza possono causare gravi lesioni e danni.

Non devono essere utilizzate né lame incrinate né lame la cui forma abbia subito alterazioni.

E' possibile effettuare tagli ad immersione solo nei materiali dolci (legno, materiali per costruzione leggera) per i materiali (metalli) duri è invece necessario praticare un foro adatto alle dimensioni della lama.

Prima di iniziare togliere la batteria dalla macchina.

Non gettare le batterie esaurite sul fuoco o nella spazzatura di casa. La Milwaukee offre infatti un servizio di recupero batterie usate.

Nel vano d'innesto per la batteria del caricatore non devono entrare parti metalliche.

(pericolo di cortocircuito).

Non conservare le batterie con oggetti metallici (pericolo di cortocircuito).

Le batterie del System M18 sono ricaricabili esclusivamente con i caricatori del System M18. Le batterie di altri sistemi non possono essere ricaricate.

Non aprire né la batteria né il caricatore e conservarli solo in luogo asciutto.

Proteggerli dalla umidità.

Nel caso di batterie danneggiate da un carico eccessivo o da temperature alte, l'acido di queste potrebbe fuoriuscire. In caso di contatto con l'acido delle batterie lavarsi immediatamente con acqua e sapone. In caso di contatto con gli occhi risciacquare immediatamente con acqua per almeno 10 minuti e contattare subito un medico.

Attenzione! Per ridurre il rischio d'incendio, di lesioni o di danni al prodotto causati da corto circuito, non immergere mai l'utensile, la batteria ricaricabile o il carica batterie in un liquido e non lasciare mai penetrare alcun liquido all'interno dei dispositivi e delle batterie. I fluidi corrosivi o conduttori come acqua salata, alcuni agenti chimici, agenti

conduttori o prodotti contenenti agenti conduttori potrebbero provocare un corto circuito.

UTILIZZO CONFORME

Questo seghetto alternativo può essere utilizzato per lavorare legno, materiale sintetico e acciaio: per effettuare tagli dritti e obliqui, curve e per tagli all' interno del materiale.

Utilizzare il prodotto solo per l'uso per cui è previsto.

DICHIARAZIONE DI CONFORMITÀ CE

Dichiariamo sotto la nostra esclusiva responsabilità che il prodotto descritto ai "Dati tecnici" corrisponde a tutte le disposizioni delle direttive 2011/65/EU (RoHS), 2014/30/UE, 2006/42/CE e successivi documenti normativi armonizzati:

EN 62841-1:2015
EN 62841-2-11:2016
EN 55014-1:2017
EN 55014-2:2015
EN 50581:2012

Winnenden, 2018-03-31

Alexander Krug

Alexander Krug

Managing Director

Autorizzato alla preparazione della documentazione tecnica

Techtronic Industries GmbH

Max-Eyth-Straße 10

71364 Winnenden

Germany

PROTEZIONE DEL MOTORE CONTRO IL SOVRACCARICO

In caso di forte sovraccarico del motore scatta la protezione contro il sovraccarico. Per poter continuare a lavorare, disattivare la macchina e poi riattivarla.

AVVIAMENTO GRADUALE

Avviamento elettronico graduale, non brusco, per garantire una presa più sicura

BATTERIE

Batterie non utilizzate per molto tempo devono essere ricaricate prima dell'uso.

A temperature superiori ai 50°C, la potenza della batteria si riduce.

Evitare di esporre l'accumulatore a surriscaldamento prolungato, dovuto ad esempio ai raggi del sole o ad un impianto di riscaldamento.

Per una ottimale vita utile è necessario ricaricare completamente le batterie dopo l'uso.

Per una più lunga durata, rimuovere le batterie dai caricatori quando saranno cariche.

In caso di immagazzinaggio della batteria per più di 30 giorni:

Immagazzinare la batteria a circa 27°C in ambiente asciutto.

Immagazzinare la batteria con carica di circa il 30% - 50%.

Ricaricare la batteria ogni 6 mesi.

DISPOSITIVO ANTISOVRACCARICO ACCUMULATORE

Il gruppo accumulatore è equipaggiato con un dispositivo antisovraccarico, che protegge l'accumulatore da qualsiasi sovraccarico e assicura un'elevata durata di vita. In caso di sollecitazione estremamente elevata, l'elettronica dell'accumulatore spegne la macchina automaticamente. Per poter continuare a lavorare bisogna spegnere e riaccendere la macchina. Se la macchina non dovesse riavviarsi, il gruppo accumulatore potrebbe essere scarico e va ricaricato nel carica-batteria.

TRASPORTO DI BATTERIE AGLI IONI DI LITIO

Le batterie agli ioni di litio sono soggette alle disposizioni di legge sul trasporto di merce pericolosa.

Il trasporto di queste batterie deve avvenire rispettando le disposizioni e norme locali, nazionali ed internazionali.

- Gli utilizzatori possono trasportare queste batterie su strada senza alcuna restrizione.

- Il trasporto commerciale di batterie agli ioni di litio è regolato dalle disposizioni sul trasporto di merce pericolosa. Le preparazioni al trasporto ed il trasporto stesso devono essere svolti esclusivamente da persone idoneamente istruite. Tutto il processo deve essere gestito in maniera professionale.

Durante il trasporto di batterie occorre tenere conto di quanto segue:

- Assicurarsi che i contatti siano protetti ed isolati per evitare corto circuiti.
 - Accertarsi che il gruppo di batterie non possa spostarsi all'interno dell'imballaggio.
 - Batterie danneggiate o batterie che perdono liquido non devono essere trasportate.
- Per ulteriori informazioni si prega di contattare il proprio trasportatore.

MANUTENZIONE

Tener sempre ben pulite le fessure di ventilazione dell'apparecchio.

Utilizzare esclusivamente accessori e pezzi di ricambio Milwaukee. L'installazione di pezzi di ricambio non specificamente prescritti dall'Milwaukee va preferibilmente effettuata dal servizio di assistenza clienti Milwaukee (ved. opuscolo Garanzia/Indirizzi Assistenza tecnica).

In caso di mancanza del disegno esplosivo, può essere richiesto al seguente indirizzo: Techtronic Industries GmbH, Max-Eyth-Straße 10, 71364 Winnenden, Germany.

SIMBOLI

	ATTENZIONE! AVVERTENZA! PERICOLO!
	Prima di iniziare togliere la batteria dalla macchina.
	Leggere attentamente le istruzioni per l'uso prima di mettere in funzione l'elettrotensile.
	Durante l'uso dell'apparecchio utilizzare sempre gli occhiali di protezione.
	Indossare guanti protettivi!
	Utilizzare le protezioni per l'udito!
	Accessorio - Non incluso nella dotazione standard, disponibile a parte come accessorio.
	I dispositivi elettrici, le batterie e le batterie ricaricabili non devono essere smaltiti con i rifiuti domestici. I dispositivi elettrici e le batterie devono essere raccolti separatamente e devono essere conferiti ad un centro di riciclaggio per lo smaltimento rispettoso dell'ambiente. Chiedere alle autorità locali o al rivenditore specializzato dove si trovano i centri di riciclaggio e i punti di raccolta.
	Numero di corse a vuoto
	Volt
	Corrente continua
	Marchio di conformità europeo
	Marchio di conformità ucraino
	Marchio di conformità euroasiatico

DATOS TÉCNICOS	SIERRA CALAR A BATERIA	M18 FJS
Número de producción.....	4692 59 01... ...000001-999999	
Voltaje de batería.....	18 V	
Nº de carreras en vacío.....	0-3500 min ⁻¹ (+/- 10%)	
Carrera.....	25 mm	
Cortes sesgados hasta.....	45°	
Profundidad de corte máx. en:		
Madera.....	100 mm	
Aluminio.....	19 mm	
Acero.....	10 mm	
Peso de acuerdo con el procedimiento EPTA 01/2014 (2,0 Ah - 12,0 Ah).....	2,63 - 3,69 kg	
Temperatura ambiente recomendada durante el trabajo.....	-18...+50 °C	
Tipos de acumulador recomendados.....	M18B2... M18B9, M18HB12	
Cargadores recomendados.....	M12-18 ... ; M1418C6	

Información sobre ruidos / vibraciones

Determinación de los valores de medición según norma EN 62841.

El nivel de ruido típico del aparato determinado con un filtro A corresponde a:

Presión acústica (Tolerancia K=3dB(A))..... 88,68 dB (A)

Resonancia acústica (Tolerancia K=3dB(A))..... 99,68 dB (A)

Usar protectores auditivos!

Nivel total de vibraciones (suma vectorial de tres direcciones) determinado según EN 62841.

Aserrado de madera *1

 Valor de vibraciones generadas a..... 21,25 m/s²

 Tolerancia K..... 1,5 m/s²

Aserrado de chapa metálica *2

 Valor de vibraciones generadas a..... 17,34 m/s²

 Tolerancia K..... 1,5 m/s²

*1 con hoja de sierra BIM, tamaño 100 x 7,5 x 1,0 mm y paso de dientes de 2,5 mm

*2 con hoja de sierra BIM, tamaño 75 x 7,5 x 1,0 y paso de dientes de 1,8 mm

ADVERTENCIA

El nivel vibratorio indicado en estas instrucciones ha sido medido conforme a un método de medición estandarizado en la norma EN 62841, y puede utilizarse para la comparación entre herramientas eléctricas. También es apropiado para una estimación provisional de la carga de vibración.

El nivel vibratorio indicado representa las aplicaciones principales de la herramienta eléctrica. Si, pese a ello, se utiliza la herramienta eléctrica para otras aplicaciones, con útiles adaptables diferentes o con un mantenimiento insuficiente, el nivel vibratorio puede diferir. Esto puede incrementar sensiblemente la carga de vibración durante todo el periodo de trabajo.

Para una estimación exacta de la carga de vibración deberían tenerse en cuenta también los tiempos durante los que el aparato está apagado o, pese a estar en funcionamiento, no está siendo realmente utilizado. Esto puede reducir sustancialmente la carga de vibración durante todo el periodo de trabajo.

Adopte medidas de seguridad adicionales para la protección del operador frente al efecto de las vibraciones, como por ejemplo: mantenimiento de la herramienta eléctrica y de los útiles adaptables, mantener las manos calientes, organización de los procesos de trabajo.

⚠ ADVERTENCIA: Lea todas las advertencias de peligro, instrucciones, ilustraciones y especificaciones suministradas con esta herramienta eléctrica. En caso de no atenerse a las instrucciones siguientes, ello puede ocasionar una descarga eléctrica, un incendio y/o lesión grave.

Guardar todas las advertencias de peligro e instrucciones para futuras consultas.

⚠ INSTRUCCIONES DE SEGURIDAD PARA SIERRAS DE CALAR

Sujete el aparato de las superficies aisladas de agarre al efectuar trabajos en los cuales la perforadora de percusión pueda entrar en contacto con conductores de corriente ocultos.

El contacto de la perforadora de percusión con un conducto con energía aplicada mediante podrá poner bajo tensión partes metálicas del aparato y causar un choque eléctrico.

Utilice prensas de tornillo u otros medios de ayuda para sujetar la pieza de trabajo en una superficie estable. Al sujetar la pieza de trabajo con la mano o al contrapresionarla con el cuerpo, ésta puede correrse y provocar el pérdida de control.

¡Utilice protección auditiva! La exposición a niveles de ruido excesivos puede causar pérdida de audición.

INSTRUCCIONES ADICIONALES DE SEGURIDAD Y LABORALES

Utilice el equipamiento de protección. Mientras trabaje con la máquina lleve siempre gafas protectoras. Se recomienda utilizar ropa de protección como máscara protectora contra el polvo, guantes protectores, calzado resistente y antideslizante, casco y protección para los oídos.

El polvo que se produce durante estos trabajos puede ser nocivo a la salud; es por ello aconsejable que no penetre al cuerpo. Utilice por ello una máscara protectora contra polvo.

No se deben trabajar materiales que conlleven un riesgo para la salud (por ej. amianto).

[En caso de que se bloquee el útil, el aparato se debe desconectar inmediatamente! No vuelva a conectar el aparato, mientras el útil esté bloqueado; se podría producir un rechazo debido a la reacción de retroceso brusca. Averigüe y elimine la causa del bloqueo del útil, teniendo en cuenta las indicaciones de seguridad.

Causas posibles para ello pueden ser:

- Atascamiento o bloqueo en la pieza de trabajo
- Rotura del material con el que está trabajando
- Sobrecarga de la herramienta eléctrica

No introduzca las manos en la máquina mientras ésta se encuentra en funcionamiento.

El útil se puede calentar durante el uso.

ADVERTENCIA! Peligro de quemaduras

- en caso de cambiar la herramienta
- en caso de depositar el aparato

Nunca se debe intentar limpiar el polvo o viruta procedente del taladrado con la máquina en funcionamiento.

Para trabajar en paredes, techo o suelo, tenga cuidado para evitar los cables eléctricos y tuberías de gas o agua.

Fije la pieza de trabajo con un dispositivo de fijación. Las piezas de trabajo no fijadas pueden causar lesiones graves y deterioros.

No usar sequeatas rajadas o torcidas.

En materiales blandos (madera, materiales ligeros de construcción para paredes) es posible hacer cortes verticales sin taladrar primero un agujero. En materiales duros (metales) primero se debe taladrar un agujero de acuerdo con el tamaño de la seguenta.

Retire la batería antes de comenzar cualquier trabajo en la máquina.

No tire las baterías usadas a la basura ni al fuego. Los Distribuidores Milwaukee ofrecen un servicio de recogida de baterías antiguas para proteger el medio ambiente.

No almacene la batería con objetos metálicos (riesgo de cortocircuito).

No introduzca en la cavidad del cargador objetos metálicos (riesgo de cortocircuito).

Recargar solamente los acumuladores del Sistema M18 en cargadores M18. No intentar recargar acumuladores de otros sistemas.

No abra nunca las baterías ni los cargadores y guárdelos sólo en lugares secos. Protéjalos de la humedad en todo momento.

En caso de sobrecarga o alta temperatura, pueden llegar a producirse escapes de ácido provenientes de la batería. En caso de contacto con éste, limpie inmediatamente la zona con agua y jabón. Si el contacto es en los ojos, límpiese concienzudamente con agua durante 10 minutos y acuda inmediatamente a un médico

Advertencia! Para reducir el riesgo de incendio, lesión personales y daños al producto debido a un cortocircuito, no sumerja nunca la herramienta, el paquete de baterías o el cargador en líquido ni permita que fluya un fluido dentro de ellos. Los fluidos corrosivos o conductivos, como el agua de mar, ciertos productos químicos industriales y blanqueadores o lejías que contienen, etc., Pueden causar un cortocircuito.

APLICACIÓN DE ACUERDO A LA FINALIDAD

Esta sierra de calar puede cortar madera, plástico y metal; puede cortar líneas rectas, biseles, curvas y efectuar cortes internos.

No utilice este producto para ninguna otra aplicación que no sea su uso normal.

DECLARACION DE CONFORMIDAD CE

Declaramos bajo nuestra responsabilidad que el producto descrito bajo "Datos técnicos" está en conformidad con todas las normas relevantes de la directiva 2011/65/EU (RoHS), 2014/30/UE, 2006/42/CE y con las siguientes normas o documentos normalizados:

EN 62841-1:2015

EN 62841-2-11:2016

EN 55014-1:2017

EN 55014-2:2015

EN 50581:2012

Winnenden, 2018-03-31



Alexander Krug
Managing Director

Autorizado para la redacción de los documentos técnicos.

Techtronic Industries GmbH

Max-Eyth-Straße 10

71364 Winnenden

Germany



PROTECCIÓN DEL MOTOR DE ACUERDO A LA CARGA

En el caso de sobrecarga del motor, se activa la protección de sobrecarga. Para poder continuar con los trabajos, deberá desconectarse y conectarse nuevamente el motor.

ARRANQUE SUAVE

Arranque suave electrónico, para una segura manejabilidad, evita un brusco retroceso al conectar la máquina.

BATERIA

Las baterías no utilizadas durante cierto tiempo deben ser recargadas antes de usar.

Las temperaturas superiores a 50°C reducen el rendimiento de la batería. Evite una exposición excesiva a fuentes de calor o al sol (riesgo de sobrecalentamiento).

Los puntos de contacto de los cargadores y las baterías se deben mantener limpios.

Para un tiempo óptimo de vida, deberán cargarse las baterías completamente después de su uso.

Para garantizar la máxima capacidad y vida útil, las baterías recargables se deberían retirar del cargador una vez finalizada la carga.

En caso de almacenar la batería recargable más de 30 días:

Almacenar la batería recargable en un lugar seco a una temperatura de aproximadamente 27°C.

Almacenar la batería recargable con un estado de carga del 30% y 50%

aproximadamente.

Recargar la batería cada 6 meses.

PROTECCIÓN CONTRA SOBRECARGA DE LA BATERÍA

El paquete del acumulador está dotado de un dispositivo de protección contra la sobrecarga que asegura una prolongada vida útil.

En caso de esfuerzo extremadamente intenso, la electrónica del acumulador desconecta automáticamente la máquina. Para continuar trabajando, desconectar y conectar de nuevo la máquina. Si la máquina no se pone nuevamente en marcha, es posible que se haya descargado el acumulador por lo que deberá recargarse en el cargador.

TRANSPORTE DE BATERÍAS DE IONES DE LITIO

Las baterías de iones de litio caen bajo las disposiciones legales relativas al transporte de mercancías peligrosas.

El transporte de estas baterías recargables debe llevarse a cabo, observando las normas y disposiciones locales, nacionales e internacionales.

- Los consumidores pueden transportar estas baterías recargables sin el menor reparo en la calle.

- El transporte comercial de baterías recargables de iones de litio por empresas de transportes está sometido a las disposiciones del transporte de mercancías peligrosas. Las preparaciones para el envío y el transporte deben ser llevados a cabo exclusivamente por personas instruidas adecuadamente. El proceso completo debe ser supervisado por personal competente.

Los siguientes puntos se deben observar para el transporte de las baterías recargables:

- Se debe asegurar que los contactos estén protegidos y aislados para evitar que se produzcan cortocircuitos.
- Preste atención a que el conjunto de baterías recargables no se pueda desplazar dentro del envase.
- Las baterías recargables deterioradas o derramadas no se deben transportar.

Rogamos que para cualquier información adicional se dirija a su empresa de transportes.

MANTENIMIENTO

Las ranuras de ventilación de la máquina deben estar despejadas en todo momento.

Solo se deben utilizar accesorios y piezas de repuestos Milwaukee. Piezas cuyo recambio no está descrito en las instrucciones de uso, deben sustituirse en un centro de asistencia técnica Milwaukee (Consulte el folleto Garantía/Direcciones de Centros de Asistencia Técnica).

En caso necesario, puede solicitar un despiece de la herramienta. Por favor indique el número de impreso que hay en la etiqueta y pida el despiece a la siguiente dirección: Techtronic Industries GmbH, Max-Eyth-Straße 10, 71364 Winnenden, Germany.

SÍMBOLOS



¡ATENCIÓN! ¡ADVERTENCIA! ¡PELIGRO!



Retire la batería antes de comenzar cualquier trabajo en la máquina.



Lea las instrucciones detenidamente antes de conectar la herramienta



Para trabajar con la máquina, utilizar siempre gafas de protección.



Usar guantes protectores



Usar protectores auditivos!



Accesorio - No incluido en el equipo estándar, disponible en la gama de accesorios.



Los electrodomésticos y las baterías/acumuladores no se deben eliminar junto con la basura doméstica. Los aparatos eléctricos y los acumuladores se deben recoger por separado y se deben entregar a una empresa de reciclaje para una eliminación respetuosa con el medio ambiente. Infórmese en las autoridades locales o en su tienda especializada sobre los centros de reciclaje y puntos de recogida.



Nº de carreras en vacío



Tensión



Corriente continua



Marcado de conformidad europeo



Marcado de conformidad ucraniano



Marcado de conformidad euroasiático

CARACTERÍSTICAS TÉCNICAS SERRA DE RECORTE A BATERIA		M18 FJS
Número de produção.....	4692 59 01..	..000001-999999
Tensão do acumulador.....	18 V	
Nº. de cursos em vazio.....	0-3500 min ⁻¹ (+/- 10%)	
Curso.....	25 mm	
Cortes oblíquos até.....	45°	
Profundidade de corte máx. em		
Madeira.....	100 mm	
Alumínio.....	19 mm	
Aço.....	10 mm	
Peso nos termos do procedimento-EPTA 01/2014 (2,0 Ah - 12,0 Ah).....	2,63 - 3,69 kg	
Temperatura ambiente recomendada ao trabalhar.....	-18...+50 °C	
Tipos de baterias recomendadas.....	M18B2... M18B9, M18HB12	
Carregadores recomendados.....	M12-18 ... ; M1418C6	

Informações sobre ruído/vibração

Valores de medida de acordo com EN 62841.

O nível de ruído avaliado A do aparelho é tipicamente:

Nível da pressão de ruído (Incertez K=3dB(A))..... 88,68 dB (A)

Nível da potência de ruído (Incertez K=3dB(A))..... 99,68 dB (A)

Use protectores auriculares!

Valores totais de vibração (soma dos vectores das três direcções) determinados conforme EN 62841.

Serrar madeira *1

 Valor de emissão de vibração a_w..... 21,25 m/s²

 Incerteza K=..... 1,5 m/s²

Serrar chapa metálica *2

 Valor de emissão de vibração a_w..... 17,34 m/s²

 Incerteza K=..... 1,5 m/s²

*1 com lâmina da serra BIM, dimensões 100 x 7,5 x 1,0 mm e passo de dentes 2,5 mm

*2 com lâmina da serra BIM, dimensões 75 x 7,5 x 1,0 e passo de dentes 1,8 mm

ATENÇÃO

O nível vibratório indicado nestas instruções foi medido em conformidade com um procedimento de medição normalizado na EN 62841 e pode ser utilizado para comparar entre si ferramentas eléctricas. O mesmo é também adequado para avaliar provisoriamente o esforço vibratório.

O nível vibratório indicado representa as principais aplicações da ferramenta eléctrica. Se, no entanto, a ferramenta eléctrica for utilizada para outras aplicações, com outras ferramentas adaptadas ou uma manutenção insuficiente, o nível vibratório poderá divergir. Isto pode aumentar consideravelmente o esforço vibratório ao longo de todo o período do trabalho.

Para uma avaliação exacta do esforço vibratório devem também ser considerados os tempos durante os quais o aparelho está desligado ou está a funcionar, mas não está efectivamente a ser utilizado. Isto pode reduzir consideravelmente o esforço vibratório ao longo de todo o período do trabalho.

Defina medidas de segurança suplementares para proteger o operador do efeito das vibrações, como por exemplo: manutenção da ferramenta eléctrica e das ferramentas adaptadas, manter as mãos quentes, organização das seqüências de trabalho.

⚠ ADVERTÊNCIA Devem ser lidas todas as advertências de segurança, instruções, ilustrações e especificações fornecidas com esta ferramenta eléctrica. O desrespeito das advertências e instruções apresentadas abaixo pode causar choque eléctrico, incêndio e/ou graves lesões. **Guarde bem todas as advertências e instruções para futura referência.**

⚠ INSTRUÇÕES DE SEGURANÇA PARA SERRAS DE RECORTE

Segure o aparelho nas superfícies de punho isoladas se estiver a executar trabalhos, nos quais a ferramenta de corte pode tocar em linhas eléctricas escondidas.

O contacto da ferramenta de corte com uma linha sob tensão também pode colocar peças metálicas do aparelho sob tensão e levar a um choque eléctrico.

Use sargentos ou outros recursos práticos para fixar a peça a trabalhar em uma base sólida. Se a peça a trabalhar for segura com a mão ou apoiada de encontro com o corpo, a peça poderá deslocar-se o que poderá levar à perda do controlo.

Sempre use a protecção dos ouvidos. A influência de ruídos pode causar surdez.

INSTRUÇÕES DE SEGURANÇA E TRABALHO SUPLEMENTARES

Utilizar equipamento de protecção. Durante os trabalhos com a máquina, usar sempre óculos de protecção. Vestuário de protecção, bem como máscara de pó, sapatos fechados e antiderrapante, capacete e protecção auditiva são recomendados.

O pó que resulta ao trabalhar pode ser nocivo para a saúde, por isso não devendo penetrar no corpo. Use uma máscara de protecção contra pó apropriada.

Não devem ser processados materiais que representem um perigo para a saúde (p. ex. asbesto).

Desligue o aparelho imediatamente, quando a ferramenta de inserção bloquear! Não ligue o aparelho novamente durante o bloqueio da ferramenta de inserção, pois isso pode levar a um recuo repentino com uma alta força reactiva. Verifique e elimine a causa do bloqueio da ferramenta de inserção, observando as instruções de segurança.

Causas possíveis podem ser:

- Emperramento na peça a trabalhar

- Material a processar rompido
- Sobrecarga da ferramenta eléctrica

Não toque na máquina em operação.

A ferramenta de inserção pode ficar quente durante a operação.

ATENÇÃO! Perigo de queimar-se

- na troca das ferramentas
- ao depositar o aparelho

Não remover aparas ou lascas enquanto a máquina trabalha.

Ao trabalhar em paredes, tectos e soalhos prestar atenção a que não sejam atingidos cabos eléctricos e canalizações de gás e água.

Fixe a peça a trabalhar com um dispositivo de fixação. Peças a trabalhar não fixadas podem levar a feridas graves e danos sérios.

Não utilizar lâminas de corte fissuradas ou deformadas.

Cortes enfiados só são possíveis em materiais não muito consistentes (madeira, aglomerados ligeiros para paredes). Em materiais mais duros (metais) é necessário efectuar uma furação na qual caiba a lâmina de corte.

Antes de efectuar qualquer intervenção na máquina retirar o bloco acumulador.

Não queimar acumuladores gastos nem deixá-los no lixo doméstico. A Milwaukee possui uma eliminação de acumuladores gastos que respeita o meio ambiente.

Não guardar acumuladores junto com objectos metálicos (perigo de curto-circuito).

Não abrir acumuladores e carregadores. Armazená-los em recintos secos.

Protegê-los contra humidade.

Use apenas carregadores do Sistema M18 para recarregar os acumuladores do Sistema M18. Não utilize acumuladores de outros sistemas.

Carregadores só devem ser utilizados em recintos secos.

Em caso de cargas ou temperaturas extremas, um acumulador de substituição danificado poderá verter líquido de bateria. Se entrar em contacto com este líquido, deverá lavar-se imediatamente com água e sabão. Em caso de contacto com os olhos, enxagüe-os bem e de imediato durante pelo menos 10 minutos e consulte um médico o mais depressa possível.

Advertência! Para evitar o risco de incêndio, de feridas ou de danificação do produto causado por um curto-circuito, não imeja a bateria intercambiável ou o carregador em líquidos e assegure-se de que líquidos não penetrem nos aparelhos ou nas baterias. Líquidos corrosivos ou condutivos como água salgada, determinadas substâncias químicas ou produtos que contenham branqueadores podem causar um curto-circuito.

UTILIZAÇÃO AUTORIZADA

A serra tico-tico corta madeira, plástico e metal. Efectua cortes direitos, oblíquos, curvas e enfiados.

Não use este produto de outra maneira sem ser a normal para o qual foi concebido.

DECLARAÇÃO DE CONFORMIDADE CE

Declaramos sob responsabilidade exclusiva, que o produto descrito sob "Dados técnicos" corresponde com todas as disposições relevantes da diretiva 2011/65/EU (RoHS), 2014/30/EU, 2006/42/CE e dos seguintes documentos normativos harmonizados.

EN 62841-1:2015

EN 62841-2-11:2016

EN 55014-1:2017

EN 55014-2:2015

EN 50581:2012

Winnenden, 2018-03-31

Alexander Krug

Alexander Krug

Managing Director

Autorizado a reunir a documentação técnica.

Techtronic Industries GmbH

Max-Eyth-Straße 10

71364 Winnenden

Germany



PROTECÇÃO DO MOTOR DEPENDENTE DA CARGA

Em caso de sobrecarga grande do motor, a protecção contra sobrecarga será activada. Para continuar a trabalhar, desligue e ligue a máquina novamente.

ARRANQUE SUAVE

Arranque suave electrónico para maneio seguro; evita o arranque brusco da máquina ao ligá-la.

ACUMULADOR

Acumuladores não utilizados durante algum tempo devem ser recarregados antes da sua utilização.

Temperaturas acima de 50°C reduzem a capacidade do bloco acumulador. Evitar exposição prolongada ao sol ou a caloríferos.

Manter limpos os contactos eléctricos no carregador e no bloco acumulador.

Para uma vida útil óptima das baterias, terá que carregá-las plenamente após a sua utilização.

Para assegurar uma vida útil longa, o pacote de bateria deve ser removido da carregadora depois do carregamento.

Se o pacote de bateria for armazenado por mais de 30 dias:

Armazene o pacote de bateria com aprox. 27°C em um lugar seco.

Armazene o pacote de bateria com aprox. 30%-50% da carga completa.

Carregue o pacote de bateria novamente de 6 em 6 meses.

PROTECÇÃO DE SOBRECARGA DE BATERIA

As baterias estão equipadas com uma protecção contra sobrecarga, que as protege de uma sobrecarga e lhes conferem uma longa durabilidade. No caso de um esforço extremamente elevado a electrónica das baterias desliga automaticamente o aparelho. Para continuar a trabalhar desligar e voltar a ligar o aparelho. Se o aparelho não se voltar a ligar, é porque o conjunto das baterias está possivelmente descarregado e fem de voltar a ser carregado na carregadora.

TRANSPORTE DE BATERIAS DE IÃO-LÍLIO

Baterias de ião-lítio estão sujeitas às disposições da legislação relativa às substâncias perigosas.

O transporte destas baterias deve ser efetuado de acordo com as disposições e os regulamentos locais, nacionais e internacionais.

- O utilizador pode efetuar o transporte rodoviário destas baterias sem restrições.

- O transporte comercial de baterias de ião-lítio por terceiros está sujeito aos regulamentos relativos às substâncias perigosas. A preparação do transporte e o processo devem ser executados exclusivamente por pessoas instruídas e o processo deve ser acompanhado pelos especialistas correspondentes.

Observe o seguinte no transporte de baterias:

- Assegure-se de que os contatos terminais estejam protegidos e isolados para evitar um curto-circuito.

- Assegure-se de que o bloco da bateria esteja protegido contra movimentos na embalagem.

- Não transporte baterias danificadas ou que tenham fuga.

Para instruções mais detalhadas consulte a companhia de transportes

MANUTENÇÃO

Manter desobstruídos os rasgos de ventilação na carcaça da máquina.

Utilizar unicamente acessórios e peças sobressalentes da Milwaukee. Sempre que a substituição de um componente não tenha sido descrita nas instruções, será de toda a conveniência mandar executar esse trabalho a um Serviço de Assistência Milwaukee (veja o folheto Garantia/Endereços de Serviços de Assistência).

A pedido e mediante indicação da referência que consta da chapa de características da máquina, pode requerer-se um desenho explosivo da ferramenta eléctrica a: Techtronic Industries GmbH, Max-Eyth-Straße 10, 71364 Winnenden, Germany.

SYMBOLS



ATENÇÃO! PERIGO!



Antes de efectuar qualquer intervenção na máquina retirar o bloco acumulador.



Leia atentamente o manual de instruções antes de colocar a máquina em funcionamento.



Usar sempre óculos de protecção ao trabalhar com a máquina.



Use luvas de protecção!



Use protectores auriculares!



Acessório - Não incluído no equipamento normal, disponível como acessório.



Aparelhos eléctricos, baterias/acumuladores não devem ser jogados no lixo doméstico. Os aparelhos eléctricos e as baterias devem ser colectados separadamente e entregues a uma empresa de reciclagem para eliminação correcta. Solicite informações sobre empresas de reciclagem e postos de colecta de lixo das autoridades locais ou do seu vendedor autorizado.



Nº. de cursos em vazio



Tensão



Corrente contínua



Marca de Conformidade Europeia



Marca de Conformidade Ucraniana



Marca de Conformidade Eurasiática

TECHNISCHE GEGEVENS	ACCU-DECOUPEERZAAGMACHINE	M18 FJS
Productienummer	4692 59 01... ...000001-999999	
Spanning wisselakku	18 V	
Onbelast toerental	0-3500 min ⁻¹ (+/- 10%)	
Slaglengte	25 mm	
Verstekzagen tot	45°	
Max. schroefdiepte in:		
Hout	100 mm	
Aluminium	19 mm	
Staal	10 mm	
Gewicht volgens de EPTA-procedure 01/2014 (2,0 Ah - 12,0 Ah)	2,63 - 3,69 kg	
Aanbevolen omgevingstemperatuur tijdens het werken	-18...+50 °C	
Aanbevolen accutypes	M18B2...M18B9, M18HB12	
Aanbevolen laadtoestellen	M12-18 ... ; M1418C6	

Geluids-/trillingsinformatie
 Meetwaarden vastgesteld volgens EN 62841.
 Het kenmerkende A-gewogen geluidsniveau van de machine bedraagt:
 Geluidsdruk niveau (Onzekerheid K=3dB(A)) 88,68 dB (A)
 Geluidsvermogen niveau (Onzekerheid K=3dB(A)) 99,68 dB (A)
Draag oorbeschermers!

Totale trillingswaarden (vectorsom van drie richtingen) bepaald volgens EN 62841.
 Zagen van hout *1
 Trillingsmissiewaarde a_h 21,25 m/s²
 Onzekerheid K= 1,5 m/s²
 Zagen van metaalplaat *2
 Trillingsmissiewaarde a_h 17,34 m/s²
 Onzekerheid K= 1,5 m/s²
 *1 met zaagblad BIM, maat 100 x 7,5 x 1,0 mm en tandafstand 2,5 mm
 *2 met zaagblad BIM, maat 75 x 7,5 x 1,0 en tandafstand 1,8 mm

WAARSCHUWING
 De in deze aanwijzingen vermelde trillingsdruk is gemeten volgens een in EN 62841 genormeerde meetmethode en kan worden gebruikt voor de onderlinge vergelijking van apparaten. Hij is ook geschikt voor een voorlopige inschatting van de trillingsbelasting.
 De aangegeven trillingsdruk geldt voor de meest gebruikelijke toepassingen van het elektrische apparaat. Wanneer het elektrische gereedschap echter voor andere doeleinden, met andere dan de voorgeschreven hulpstukken gebruikt of niet naar behoren onderhouden wordt, kan de trillingsdruk afwijken. Dit kan de waarde van de trillingsdruk over de hele werkperiode aanzienlijk verhogen.
 Voor een nauwkeurige inschatting van de trillingsdruk moeten ook de tijden in aanmerking worden genomen dat het apparaat uitgeschakeld is of weliswaar loopt, maar niet werkelijk in gebruik is. Dit kan de waarde van de trillingsdruk over de hele werkperiode aanzienlijk verminderen.
 Bepaal extra veiligheidsmaatregelen ter bescherming van de bediener tegen de inwerking van trillingen, bijvoorbeeld: onderhoud van elektrische gereedschappen en apparaten, warmhouden van de handen, organisatie van de werkprocessen.

⚠ WAARSCHUWING! Lees alle veiligheidswaarschuwingen, voorschriften, afbeeldingen en specificaties voor dit elektrische gereedschap. Als de onderstaande waarschuwingen niet worden opgevolgd, kan dit een elektrische schok, brand of ernstig letsel tot gevolg hebben.
Bewaar alle waarschuwingen en voorschriften voor toekomstig gebruik.

⚠ VEILIGHEIDSINSTRUCTIES VOOR DECOUPEERZAGEN
 Houd het apparaat alléén aan de geïsoleerde grijpvlakken vast, wanneer u werkzaamheden uitvoert waarbij het snijgereedschap verborgen stroomleidingen zou kunnen raken.
 Het contact van het snijgereedschap met een spanningvoerende leiding kan de metalen apparaatdelen onder spanning zetten en zo tot een elektrische schok leiden.
Gebruik lijmklemmen of andere geschikte hulpmiddelen om het werkstuk aan een stabiele ondergrond te bevestigen. Als u het werkstuk met uw hand of met uw lichaam tegenhoudt, kan het wegglijden, waardoor u de controle kunt verliezen.
Draag oorbeschermers. Blootstelling aan geluid kan het gehoor beschadigen.

VERDERE VEILIGHEIDS- EN WERKINSTRUCTIES
 Draag veiligheidsuitrusting. Bij werkzaamheden met de machine dient u altijd een veiligheidsbril te dragen. Veiligheidskleding zoals stofmasker, veiligheidshandschoenen, stevig en slipvast schoeisel, helm en gehoorbescherming worden aanbevolen.
 Het gedurende het werken vrijkomende stof is doorgaans schadelijk voor de gezondheid en mag niet met het lichaam in aanraking komen. Draag derhalve een geschikt stofbeschermingsmasker.
 Het is niet toegestaan, materialen te bewerken waarvan een gezondheidsgevaar uitgaat (bijv. asbest).
 Schakel het apparaat onmiddellijk uit als het gereedschap blokkeert! Schakel het apparaat niet in zolang het gereedschap geblokkeerd is; dit zou een terugslag met een hoog reactiemoment kunnen veroorzaken. Achterhaal en verhelp de oorzaak voor de blokkering van het gereedschap met inachtneming van de veiligheidsinstructies.
 Mogelijke oorzaken voor de blokkering:
 • kantelen in het te bewerken werkstuk
 • doorbreken van het te bewerken materiaal
 • overbelasting van het elektrische gereedschap

Grijp niet in de lopende machine.
 Het gereedschap kan heet worden tijdens het gebruik.
WAARSCHUWING! Gevaar voor verbranding
 • bij het vervangen van het gereedschap
 • bij het neerleggen van het apparaat
 Spanen of splinters mogen bij draaiende machine niet worden verwijderd.
 Bij het werken in wanden, plafonds of vloeren oppassen voor elektriciteitsdraden, gas- of waterleidingen.
 Borg uw werkstuk met behulp van een spanrichting. Niet geborgde werkstukken kunnen ernstig letsel en grote schade veroorzaken.
 Gescheurde zaagbladen of welke van vorm veranderd zijn, mogen niet gebruikt worden.
 Insteekezagen is alleen in zachte materialen (hout, lichte bouwstoffen voor wanden) mogelijk. Bij hardere materialen (metalen) moet een boring overeenkomstig de grootte van het zaagblad aangebracht worden.
 Voor alle werkzaamheden aan de machine de accu verwijderen.
 Verbruikte accu's niet in het vuur of bij het huisvuil werpen. Milwaukee biedt namelijk een milieuvriendelijke recyclingmethode voor uw oude accu's.
 Wisselakku's niet bij metalen voorwerpen bewaren (kortsluitingsgevaar !) .
 In de wisselakku-onpnameschacht van het laadapparaat mogen géén metaaldeeltjes komen (kortsluitingsgevaar !) .
 Wisselakku's van het Akku-Systeem M18 alléén met laadapparaten van het Akku-Systeem M18 laden. Geen accu's van andere systemen laden.
 Wisselakku's en laadapparaten niet openen en alleen in droge ruimtes opslaan. Tegen vocht beschermen.
 Onder extreme belasting of extreme temperaturen kan uit de accu accu-vloeistof lopen. Na contact met accu-vloeistof direct afwassen met water en zeep. Bij oogcontact direct minstens 10 minuten grondig spoelen en onmiddellijk een arts raadplegen.
Waarschuwing! Voorkom brand, persoonlijk letsel of materiële schade door kortsluiting en dompel het gereedschap, de wisselaccu en het laadtoestel niet onder in vloeistoffen en waarborg dat geen vloeistoffen in de apparaten en accu's kunnen dringen. Corrosieve of geleidende vloeistoffen zoals zout water, bepaalde

chemicaliën, bleekmiddelen of producten die bleekmiddelen bevatten, kunnen een kortsluiting veroorzaken.

VOORGESCHREVEN GEBRUIK VAN HET SYSTEEM
 De decoupeerzaag zaagt hout, kunststof en metaal. Men kan ermee rechtzagen, verstekzagen, bochten zagen en insteekzagen.
 Dit apparaat uitsluitend gebruiken voor normaal gebruik, zoals aangegeven.

EC - VERKLARING VAN OVEREENSTEMMING
 Wij verklaren in uitsluitende verantwoording dat het onder 'Technische gegevens' beschreven product overeenstemt met alle relevante voorschriften van de richtlijn 2011/65/EU (RoHS), 2014/30/EU, 2006/42/EG en de volgende geharmoniseerde normatieve documenten:
 EN 62841-1:2015
 EN 62841-2-11:2016
 EN 55014-1:2017
 EN 55014-2:2015
 EN 50581:2012

Winnenden, 2018-03-31

 Alexander Krug
 Managing Director
 Gemachtigd voor samenstelling van de technische documenten
 Techtronic Industries GmbH
 Max-Eyth-Straße 10
 71364 Winnenden
 Germany



LASTAFHANKELIJKE MOTORBEVEILIGING
 bij een te hoge motorlast wordt de overbelastingsbeveiliging geactiveerd. Schakel de machine uit en weer in om door te kunnen werken.

ZACHTA AANLOOP
 De elektronische zachte aanloop zorgt voor een veilig vasthouden van de machine wanneer deze wordt ingeschakeld.










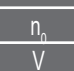




AKKU
 Langere tijd niet toegepaste wisselakku's vóór gebruik altijd naladen.
 Een temperatuur boven de 50°C vermindert de capaciteit van de accu. Langdurige verwarming door zon of hitte vermijden.
 De aansluitkontakten aan het laadapparaat en de accu schoonhouden.
 Voor een optimale levensduur moeten de accu's na het gebruik volledig opgeladen worden.
 Voor een zo lang mogelijke levensduur van de accu's dienen deze na het opladen uit het laadtoestel te worden verwijderd.
 Bij een langere opslag van de accu dan 30 dagen:
 accu bij ca. 27 °C droog bewaren.
 accu bij ca. 30 % - 50 % van de laadtoestand bewaren.
 accu om de 6 maanden opnieuw opladen.

OVERBELASTINGSBEVEILIGING VAN DE ACCU
 Het accupak is uitgerust met een overbelastingsbeveiliging die de accu tegen overbelasting beschermt en een lange levensduur garandeert.
 Bij extreem sterke belasting schakelt de accuelektronica de machine automatisch uit. Schakel de machine uit en weer in om door te kunnen werken. Wanneer de machine niet meer start, is het accupak mogelijkwijs ontladen en moet het in het laadtoestel worden opgeladen.

TRANSPORT VAN LITHIUM-IONEN-ACCU'S
 Lithium-ionen-accu's vallen onder de wettelijke bepalingen inzake het transport van gevaarlijke goederen.
 Voor het transport van deze accu's moeten de lokale, nationale en internationale voorschriften en bepalingen in acht worden genomen.
 • Verbruikers mogen deze accu's zonder meer over de weg transporteren.
 • Het commerciële transport van lithium-ionen-accu's door expeditiebedrijven is onderhevig aan de bepalingen inzake het transport van gevaarlijke goederen. De verzendingsvoorbereidingen en het transport mogen uitsluitend worden uitgevoerd door dienovereenkomstig opgeleide personen. Het complete proces moet vakkundig worden begeleid.
 Onderstaande punten moeten bij het transport van accu's in acht worden genomen:
 • Waarborg ter vermindering van kortsluitingen dat de contacten beschermd en geïsoleerd zijn.
 • Let op dat het accupack in de verpakking niet kan verschuiven.
 • Beschadigde of lekkende accu's mogen niet worden getransporteerd.
 Neem voor meer informatie contact op met uw expeditiebedrijf.

ONDERHOUD
 Altid de luchtspieten van de machine schoonhouden.
 Alleen Milwaukee toebehoren en onderdelen gebruiken. Onderdelen welke niet vermeld worden, kunnen het beste door de Milwaukee servicedienst verwisseld worden (zie Serviceadressen).
 Onder vermelding van het nummer op het machineplaatje is desgewenst een doorsnedetekening van de machine verkrijgbaar bij: Techtronic Industries GmbH, Max-Eyth-Straße 10, 71364 Winnenden, Germany.

SYMBOLEN

	OPGELET! WAARSCHUWING! GEVAAR!
	Voor alle werkzaamheden aan de machine de accu verwijderen.
	Graag instructies zorgvuldig doorlezen vóórdat u de machine in gebruik neemt.
	Bij het werken met de machine altijd een veiligheidsbril dragen.
	Draag veiligheidshandschoenen!
	Draag oorbeschermers!
	Toebehoren - Wordt niet meegeleverd. Is apart leverbaar. Zie hiervoor het toebehorenprogramma.
	Elektrische apparaten, batterijen en accu's mogen niet via het huisafval worden afgevoerd. Elektrische apparaten en accu's moeten gescheiden worden verzameld en voor een milieuvriendelijke afvoer worden afgegeven bij een recyclingbedrijf. Informeer bij uw gemeente of bij uw vakhandelaar naar recyclingbedrijven en inzamelcentra.
	Onbelast toerental
	Spanning
	Gelijkstroom
	Europees symbool van overeenstemming
	Oekraïens symbool van overeenstemming
	Euro-Aziatisch symbool van overeenstemming

TEKNISKE DATA	AKKU STIKSAV	M18 FJS
Produktionsnummer	4692 59 01... ...000001-999999	
Udskiftningsbatteriets spænding	18 V	
Slagantal, ubelastet	0-3500 min ⁻¹ (+/- 10%)	
Løfthøjde	25 mm	
Skråsnit indtil	45°	
Skæredybde max. i:		
Træ	100 mm	
Aluminium	19 mm	
Stål	10 mm	
Vægt svarer til EPTA-procedure 01/2014 (2,0 Ah - 12,0 Ah)	2,63 - 3,69 kg	
Anbefalet temperatur under arbejdet	-18...+50 °C	
Anbefalede batterityper	M18B2... M18B9, M18HB12	
Anbefalede opladere	M12-18 ... ; M1418C6	

Støj/Vibrationsinformation

Måleværdier beregnes iht. EN 62841.	
Værktøjets A-vurderede støjniveau er typisk:	
Lydtrykniveau (Usikkerhed K=3dB(A))	88,68 dB (A)
Lydeffekt niveau (Usikkerhed K=3dB(A))	99,68 dB (A)

Brug høreværn!

Samlede vibrationsværdier (værdisum for tre retninger) beregnet iht. EN 62841.

Savning af træ *1	
Vibrationseksponering a _h	21,25 m/s ²
Usikkerhed K=	1,5 m/s ²
Savning af metalblik *2	
Vibrationseksponering a _h	17,34 m/s ²
Usikkerhed K=	1,5 m/s ²

*1 med savklinge BIM, str. 100 x 7,5 x 1,0 mm og tandafstand 2,5 mm

*2 med savklinge BIM, str. 75 x 7,5 x 1,0 og tandafstand 1,8 mm

ADVARSEL

Svingningsniveauet, som er angivet i disse anvisninger, er målt i henhold til standardiseret måleprocedure ifølge EN 62841 og kan anvendes til indbyrdes sammenligning mellem el-værktøjer. Svingningsniveauet er ligeledes egnet som foreløbigt skøn over svingningsbelastningen.

Det angivne svingningsniveau er baseret på el-værktøjets primære anvendelsesformål. Hvis el-værktøjet benyttes til andre formål, med andet indsatsværktøj eller ikke vedligeholdes tilstrækkeligt, kan svingningsniveauet afvige. Dette kan øge svingningsbelastningen over den samlede arbejdsperiode betydeligt.

For en nøjagtig vurdering af svingningsbelastningen skal der også tages højde for de tidsperioder, hvor apparatet er slukket, eller hvor apparatet kører, men uden at være i anvendelse. Dette kan reducere svingningsbelastningen over den samlede arbejdsperiode betydeligt.

Supplerende sikkerhedsforanstaltninger til beskyttelse af brugeren mod påvirkninger fra svingninger skal iværksættes, f.eks.: Vedligeholdelse af el-værktøj og indsatsværktøj, varmholdelse af hænder, organisering af arbejdsprocesser.

⚠ ADVARSEL Læs alle advarselsinformationer, anvisninger, figurer og specifikationer, som følger med dette el-værktøj. En manglende overholdelse af alle nedenstående anvisninger kan medføre elektrisk stød, brand og/eller alvorlige kvæstelser.

Opbevar alle advarselshenvisninger og instrukser til senere brug.

⚠ SIKKERHEDSINSTRUKTIONER FOR STIKSAVE

Hold maskinen fast i de isolerede gribeblade, når du udfører arbejde, hvor der er risiko for, at skæreværktøjet kan ramme skjulte strømledninger.

Kommer skæreværktøjet i kontakt med en strømførende ledning, kan maskinens metaldele komme under spænding og give elektrisk stød.

Brug skruetvinger eller andre praktiske hjælpemidler til at fastgøre arbejdsområdet på et stabilt underlag med. Hvis arbejdsområdet holdes med hånden, eller presses der imod med kroppen, kan emnet skride, hvilket kan føre til, at du mister kontrollen.

Bær høreværn. Støjpåvirkning kan bevirke tab af hørelse.

YDERLIGERE SIKKERHEDS- OG ARBEJDSINFORMATIONER

Brug beskyttelsesudstyr. Bær altid sikkerhedsbriller, når du arbejder med maskinen. Vi anbefaler desuden brug af personlig beskyttelsesudrustning, såsom støvmaske, sikkerhedshandsker, fast og skridsikket skotøj, hjelm og høreværn.

Støv, som opstår under arbejdet, er ofte sundhedsfarligt og bør ikke trænge ind i kroppen. Benyt egnet åndedrætsværn.

Der må ikke bearbejdes nogen materialer, der kan udgøre en sundhedsrisiko (f.eks. asbest).

Sluk straks for maskinen, hvis indsatsværktøjet er blokeret! Tænd ikke for maskinen igen, så længe indsatsværktøjet er blokeret; dette kan føre til et tilbageslag med højt reaktionsmoment. Find frem til og afhjælp årsagen til indsatsværktøjets blokering under hensyntagen til sikkerhedsinstruktionerne.

Mulige årsager hertil kan være:

- at det sidder i klemme i emnet der bearbejdes
- at det har brækket materialet der bearbejdes
- at el-værktøjet er overbelastet

Grib ikke ind i maskinen, når den kører.

Indsatsværktøjet kan blive varmt under brugen.

ADVARSEL! Fare for forbrændinger

TILTÆNKT FORMÅL

Stiksaven saver træ, kunsthøj og metal. Den skærer lige linier, geringsnit, kurver og indvendige udskæringer.

Produktet må ikke anvendes på anden måde og til andre formål end foreskrevet.

CE-KONFORMITETSERKLÆRING

Vi erklærer som eneansvarlig, at det under "Tekniske data" beskrevne produkt stemmer overens med alle relevante forskrifter, der følger af direktiv 2011/65/EU (RoHS), 2014/30/EU, 2006/42/EF samt af følgende harmoniserede normative dokumenter:

EN 62841-1:2015
EN 62841-2:11:2016
EN 55014-1:2017
EN 55014-2:2015
EN 50581:2012

Winnenden, 2018-03-31

Alexander Krug

Alexander Krug
Managing Director

Autoriseret til at udarbejde de tekniske dokumenter.

Techtronic Industries GmbH
Max-Eyth-Straße 10
71364 Winnenden
Germany

BELASTNINGSAFHÆNGIG MOTORBESKYTTELSE

Ved kraftig overbelastning af motoren udløses overbelastningssikringen. For at genoptage arbejdet slukkes og tændes maskinen igen.

BLØD OPSTART

Elektronisk blød opstart til sikker håndtering; hindrer ved indkobling en maskinstart i ryk.

BATTERI

Udskiftningsbatterier, der ikke har været brugt i længere tid, efterlades inden brug. Ved temperaturer over 50°C formindskes batteriets effekt. Undgå direkte sollys og stærk varme.

Tilslutningskontakterne på oplader og udskiftningsbatterier skal holdes rene.

For at opnå en optimal levetid skal de genopladelige batterier oplades fuldt efter brug.

For at sikre en så lang levetid som muligt skal batterierne tages ud af ladeaggregatet efter opladning.

Skal batterierne opbevares længere end 30 dage:

Temperatur ca. 27°C i tørre omgivelser.

Opbevares ved ca. 30%-50% af ladetilstanden.

Batteri skal genoplades hver 6. måned.

OVERBELASTNINGSSIKRING FOR BATTERI

Akkupack'en er udstyret med en overbelastningssikring, som beskytter akkumulatorbatteriet mod overbelastning og sikrer en høj levetid.

Ved ekstrem kraftig belastning kobler batteriets elektronik automatisk maskinen fra. Sluk og tænd maskinen igen for at genoptage driften. Går maskinen ikke i gang igen, er akkupack'en muligvis afladt og skal genoplades i ladeaggregatet.

TRANSPORT AF LITHIUM-BATTERIER

Lithium-batterier er omfattet af lovgivningen om transport af farligt gods.

Transporten af disse batterier skal ske under overholdelse af lokale, nationale og internationale regler og bestemmelser.

- Forbrugere må transportere disse batterier på veje uden yderligere krav.
- Den kommercielle transport af lithium-batterier ved speditorsfirmaer er omfattet af reglerne for transport af farligt gods. Forberedelsen af personsønde og transport må kun udføres af tilsvarende trænede personer. Den samlede proces skal følges af fagfolk.

Følgende punkter skal overholdes ved transport af batterier:

- Sørg for at kontakterne er beskyttet og isoleret for at forhindre kortslutninger.
- Sørg for at batteripakken ikke kan bevæge sig inden for emballagen.
- Beskadigede eller lækkelige batterier må ikke transporteres.

Kontakt dit speditorsfirma for at få yderligere oplysninger.










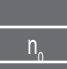




VEDLIGEHOLDELSE

Hold altid maskinens ventilationsåbninger rene.

Brug kun Milwaukee tilbehør og reservedele. Lad de komponenter, hvis udskifning ikke er blevet beskrevet, udskifte hos Atlas Copco service (se kundeserviceadresser).

Ved opgivelse af type nr. der er angivet på maskinens effektskilt, kan de rekvirere en reservedeltægning, ved henvendelse til: Techtronic Industries GmbH, Max-Eyth-Straße 10, 71364 Winnenden, Germany.

SYMBOLER

	VIGTIGT! ADVARSEL! FARE!
	Ved arbejde inden i maskinen, bør batteriet tages ud.
	Læs brugsanvisningen nøje før ibrugtagning.
	Når der arbejdes med maskinen, skal man have beskyttelsesbriller på.
	Brug beskyttelseshandsker!
	Brug høreværn!
	Tilbehør - Ikke inkluderet i leveringsomfanget, køb købes som tilbehør.
	Elektrisk udstyr eller (genopladelige) batterier må ikke bortskaffes sammen med det almindelige husholdningsaffald. Elektrisk udstyr og genopladelige batterier skal indsamles særskilt og afleveres hos en genbrugsvirksomhed til en miljømæssig forsvarlig bortskaffelse. Spørg de lokale myndigheder eller din forhandler om genbrugsstationer og indsamlingssteder til sådant affald.
	Slagantal, ubelastet
	Spænding
	Jævnstrøm
	Europæisk konformitetsmærke
	Ukrainsk konformitetsmærke
	Eurasisk konformitetsmærke

TEKNISKE DATA	BATTERIDREVET STIKKSAG	M18 FJS
Produksjonsnummer.....	4692 59 01... ...000001-999999	
Spenningsvekselbatteri.....	18 V	
Tomgangsslagtal.....	0-3500 min ⁻¹ (+/- 10%)	
Slaghøyde.....	25 mm	
Skråsnitt inntil.....	45°	
Kuttedybde maks. in:		
Treverk.....	100 mm	
Aluminium.....	19 mm	
Stål.....	10 mm	
Vekt i henhold til EPTA-Prosedyren 01/2014 (2,0 Ah - 12,0 Ah).....	2,63 - 3,69 kg	
Anbefalt omgivelsestemperatur under arbeid.....	-18...+50 °C	
Anbefalte batterityper.....	M18B2... M18B9, M18HB12	
Anbefalte ladere.....	M12-18 ... ; M1418C6	

Støy/Vibrasjonsinformasjon

Måleverdier fastslått i samsvar med EN 62841.

Det typiske A-bedømte støynivået for maskinen er:

Lydtrykknivå (Usikkerhet K=3dB(A))..... 88,68 dB (A)

Lydeffektnivå (Usikkerhet K=3dB(A))..... 99,68 dB (A)

Bruk hørselsvern!

Totale svingningsverdier (vektorsum fra tre retninger) beregnet jf. EN 62841.

Saging av tre *1

Svingningssemissjonsverdi a..... 21,25 m/s²

Usikkerhet K=..... 1,5 m/s²

Saging av metallplater *2

Svingningssemissjonsverdi a..... 17,34 m/s²

Usikkerhet K=..... 1,5 m/s²

*1 med sagblad BIM, størrelse 100 x 7,5 x 1,0 mm og tannavstand 2,5 mm

*2 med sagblad BIM, størrelse 75 x 7,5 x 1,0 mm og tannavstand 1,8 mm

ADVARSEL

Svingningsnivået som er angitt i denne instruksjonen er målt i overensstemmelse med målemetoden normert i direktiv EN 62841 og kan brukes til å sammenligne elektromaskiner med hverandre. Den egner seg også for en foreløbig vurdering av svingningsbelastningen.

Det angitte svingningsnivået representerer de hovedsaklige bruk av elektroverktøyet. Men anvendes elektroverktøyet for andre bruk med avvikende utskiftbare verktøy eller vedlikeholdet er utilstrekkelig, kan svingningsnivået være avvikende.

Dette kan forhøye svingningsbelastning betydelig over hele arbeidsperioden. For en nøyaktig vurdering av svingningsbelastningen må også det tas hensyn til tiden apparatet er avslikt eller står på, men ikke er i bruk. Dette kan redusere svingningsbelastningen betydelig over hele arbeidsperioden.

Innfor også ekstra sikkerhetstiltak for å beskytte bruket mot utvirkningen av svingningene. Disse kan f.eks. være: vedlikehold av elektroverktøyet og det utskiftbare verktøyet, holde hendene varme, organisasjon av arbeidsforløpet.

⚠ ADVARSEL! Les gjennom alle sikkerhets advarsler, anvisninger, illustrasjoner og spesifikasjoner for dette elektroverktøyet. Feil ved overholdelsen av advarslene og nedenstående anvisninger kan medføre elektriske støt, brann og/eller alvorlige skader.

Ta godt vare på alle advarslene og informasjonene.

⚠ SIKKERHETS INSTRUKSER FOR STIKKSAGER

Hold apparatet i de isolerte holdeflatene, når det arbeides på steder hvor elektroverktøyet kan treffe skjulte strømledninger.

Kontakt med en ledning som er under spenning, kan også sette metalldele til apparatet under spenning og føre til et elektrisk slag.

Bruk en skruestikke eller andre praktiske hjelpemidler for å feste arbeidsstykket på et stabilt underlag. Å holde arbeidsstykke med hånden eller trykke det kroppen, gjør det ustabil og det kan føre til at man mister kontrollen over arbeidsstykket.

Bruk hørselsvern. Støy kan føre til tap av hørselen

YTTERLIGE SIKKERHETS- OG ARBEIDSinSTRUKSJONER

Bruk vernebekledning. Ta alltid på vernebrille ved bruk av maskinen. Vernebekledning så vel som støvmaske, vernehansker, fast og sklisikkert skotøy, hjem og hørselsvern er anbefalt.

Støvet som oppstår ved arbeidet er ofte helsefarlig og skal ikke komme i kontakt med kroppen. Bruk derfor verneemaske som er egnet for støv.

Materialer som er helsefarlig skal ikke bearbeides (f.eks. asbest)

Slå av apparatet med en gang dersom det isatte verktøyet er blokkert! Ikke slå apparatet på igjen så lenge det isatte verktøyet er blokkert, her kan det oppstå et tilbakeslag med høyt reaksjonsmoment. Finn ut hvorfor det isatte verktøyet blokkerer og fjern årsaken til dette. Ta herved hensyn til sikkerhets instruksene.

Mulige årsaker til dette kan være:

- det har forkantet seg i arbeidsemnet som bearbeides
- det har brekt igjennom materialet som bearbeides
- elektroverktøyet er overbelastet

Ikke grip inn i maskinen når den står på og går.

Isatt verktøy kan i bruk bli veldig varmt.

ADVARSEL! Fare for forbrønning

FORMÅLMESSIG BRUK

Stikksagen sager treverk, plast og metall. Den skjærer rett, gjæringer, kurver og innvendige utsnitt.

Dette apparatet må kun brukes til de oppgitte formål.

CE-SAMSVARSEKLÆRING

Vi erklærer i alene ansvar at produktet beskrevet i "Teknisk data" overensstemmer med alle relevante forskrifter til Eu direktiv 2011/65/EU (RoHS), 2014/30/EU, 2006/42/EF og de følgende harmoniserte normative dokumentene.

EN 62841-1:2015

EN 62841-2-11:2016

EN 55014-1:2017

EN 55014-2:2015

EN 50581:2012

Winnenden, 2018-03-31

Alexander Krug

Alexander Krug

Managing Director

Autorisert til å utarbeide den tekniske dokumentasjonen

Techtronic Industries GmbH

Max-Eyth-Straße 10

71364 Winnenden

Germany

BELASTNINGS AVHENGIG MOTORVERN

Ved høy overbelastning av motoren blir overlastvernet aktivert. For videre arbeid må maskinen slås av og på igjen.

LETTOPPSTARTING

Gjennom elektronisk lettoppstarting aksellererer maskinen kontinuerlig til det som er blitt valgt

BATTERIER

Vekselbatterier som ikke er brukt over lengre tid skal etterlades for bruk.

En temperatur over 50°C reduserer vekselbatteriets kapasitet. Unngå oppvarming i sol eller ved varmeovner (fyring) i lengre tid.

Hold tilkopplingskontaktene på lader og vekselbatteri rene.

For optimal holdbarhet må batteriene lades opp helt etter bruk.

For å sikre en lengst mulig brukstid av batteriene skal disse etter oppladning taes ut av laderen.

Ved lagring av batteriene lengre enn 30 dager:

Lagre batteriet tørt ved ca. 27°C

Lagre batteriet ved en oppladningstilstand på ca. 30%-50%.

Lade opp batteriet igjen etter 6 måneder.

OVERBELASTNINGSVERN FOR OPPLADBARE BATTERIER

Batteripakken er utstyrt med overbelastningsvern som beskytter det oppladbare batteriet mot overbelastning og sikrer en lang levetid.

Ved ekstrem høy belastning kobler maskinens batterielektronikk seg automatisk ut.

For å fortsette å arbeide må maskinen slås av og så på igjen. Starter maskinen ikke igjen er batteripakken muligens utladet og må lades opp igjen i laderen.

TRANSPORT AV LITIU-ION-BATTERI

Litium-ion-batterier faller under de lovfastede forskriftene om transport av farlig gods.

Transporten av disse batteriene må rette seg etter lokale, nasjonale og internasjonale forskrifter og bestemmelser.

- Forbruker har lov å transportere disse batteriene på gaten uten reglementering.
- Den kommersielle transport av Litium-ion-batterier av spedisjonsfirma faller under bestemmelsene om transport av farlig gods. Forberedningene av forsendelsen og transport skal utelukkende gjennomføres av personer som har blitt skolert til dette. Hele prosessen skal følges opp av fagfolk.

Følgende punkter skal tas hensyn til ved transport:

- Kontroller at kontaktene er beskyttet og isolert for å unngå kortslutninger.
- Pass på at batteripakken i forpakningen ikke kan skli fram og tilbake.
- Skadede eller batterier som lekker er det ikke lov å transportere.

Ta kontakt med spedisjonsfirma for ytterlige henvisninger.

VEDLIKEHOLD

Hold alltid luftenåpningene på maskinen rene.

Bruk kun Milwaukee tilbehør og reservedeler. Komponenter der utskifting ikke er beskrevet skal skiftes ut hos Milwaukee kundeservice (se brosjyre garanti/ kundeserviceadresser).

Ved behov kan du be om en eksplosjonstegning av apparatet hos din kundeservice eller direkte hos Techtronic Industries GmbH, Max-Eyth-Straße 10, 71364 Winnenden, Germany. Oppgi maskintype og det nummeret på typeskiltet.

SYMBOLER



OBS! ADVARSEL! FARE!



Ta ut vekselbatteriet før du arbeider på maskinen



Les nøye gjennom bruksanvisningen før maskinen tas i bruk.



Bruk alltid vernebrille når du arbeider med maskinen.



Bruk vernehansker !



Bruk hørselsvern!



Tilbehør - inngår ikke i leveransen, anbefalt komplettering fra tilbehørsprogrammet.



Elektriske apparater, batterier/oppladbare batterier skal ikke kastes sammen med vanlig husholdningsavfall. Elektriske og elektroniske apparater og oppladbare batterier skal samles separat og leveres til miljøvennlig deponering hos en avfallsbedrift. Informer deg hos myndighetene på stedet eller hos din fagforhandler hvor det finnes recycling bedrifter og oppsamlingssteder.



Tomgangsslagtal



Volt



Europeisk samsvarsmerke



Ukrainsk samsvarsmerke



Euroasiatisk samsvarsmerke

TEKNISKA DATA	BATTERIDRIVEN STICKSÅG	M18 FJS
Produktionsnummer	4692 59 01... ...000001-999999	
Batterispänning.....	18 V	
Tomgångslagtal.....	0-3500 min ⁻¹ (+/- 10%)	
Slaglängd.....	25 mm	
Vinkelinställning max.....	45°	
Sågdjup max i:		
Trä.....	100 mm	
Aluminium.....	19 mm	
Stål.....	10 mm	
Vikt enligt EPTA 01/2014 (2,0 Ah - 12,0 Ah)	2,63 - 3,69 kg	
Rekommenderad omgivningstemperatur vid arbete:	-18...+50 °C	
Rekommenderade batterityper.....	M18B2... M18B9, M18HB12	
Rekommenderade laddare.....	M12-18 ... ; M1418C6	

Buller-/vibrationsinformation

Mätvärdena har tagits fram baserande på EN 62841.

A-värdet av maskinens ljudnivå utgör:

Ljudtrycksnivå (Onoggrannhet K=3dB(A)).....	88,68 dB (A)
Ljudeffektsnivå (Onoggrannhet K=3dB(A)).....	99,68 dB (A)

Använd hörselskydd!

Totala vibrationsvärden (vektorsumma ur tre riktningar) framtaget enligt EN 62841.

Sågning i trä *1	
Vibrationsemissionsvärde a _h	21,25 m/s ²
Onoggrannhet K=.....	1,5 m/s ²
Sågning i metallplåt *2	
Vibrationsemissionsvärde a _h	17,34 m/s ²
Onoggrannhet K=.....	1,5 m/s ²

*1 med sågblad BIM, storlek 100 x 7,5 x 1,0 mm och tanddelning 2,5 mm

*2 med sågblad BIM, storlek 75 x 7,5 x 1,0 och tanddelning 1,8 mm

VARNING

Den i de här anvisningarna angivna vibrationsnivån har uppmätts enligt ett i EN 62841 normerat mätförfarande och kan användas vid jämförelse mellan olika elverktyg. Nivån är även lämplig att använda vid en preliminär bedömning av vibrationsbelastningen.

Den angivna vibrationsnivån representerar den huvudsakliga användningen av det aktuella elverktyget. Men om elverktyget ska användas i andra användningsområden, tillsammans med avvikande insatsverktyg eller efter otillräckligt underhåll, kan vibrationsnivån skilja sig. Det kan öka vibrationsbelastningen betydligt under hela arbetstiden.

För att få en exaktare bedömning av vibrationsbelastningen ska även den tid beaktas, under vilken elverktyget är avstängt eller är påslaget, utan att det verkligen används. Det kan reducera vibrationsbelastningen betydligt under hela arbetstiden.

Lägg som skydd för användaren fast extra säkerhetsåtgärder mot vibrationernas verkan, som till exempel: underhåll av elverktyg och insatsverktyg, varmhållning av händer och organisering av arbetsförlopp.

⚠ VARNING! Läs noga igenom alla säkerhetsanvisningar, illustrationer och specifikationer som medföljer detta elverktyg. Fel som uppstår till följd av att anvisningarna nedan inte följs kan orsaka elstöt, brand och/eller allvarliga kroppsskador.

Förvara alla varningar och anvisningar för framtida bruk.

⚠ SÄKERHETSANVISNINGAR FÖR STICKSÅGAR

Håll fast apparaten med hjälp av de isolerade greppytorna när du utför arbeten där arbetsverktyget skulle kunna träffa på dolda elledningar.

Om man kommer i kontakt med en spänningsförande ledning, så kan även de delar på verktyget som är av metall bli spänningsförande och leda till att man får en elektrisk stöt.

Använd ett eller flera skruvstöd eller ett annat praktiskt hjälpmedel för att fästa arbetsstycket på ett stabilt underlag. Om du försöker hålla fast arbetsstycket med handen eller trycker emot med kroppen finns risk att arbetsstycket flyttar sig och att du förlorar kontrollen.

Bär hörselskydd. Bullerbelastning kan orsaka hörselskador.

ÖVRIGA SÄKERHETS- OCH ANVÄNDNINGSinSTRUKTIONER

Använd skyddsutrustning. Använd alltid skyddsglasögon när du använder maskinen. Som skyddsutrustning rekommenderar vi t.ex. en dammskyddsmask, skyddshandskar, stabila och halksäkra skor, hjälm och hörselskydd.

Det damm som bildas under arbetets gång är ofta hälsofarligt och det ska inte komma in i kroppen. Bär därför lämplig skyddsmask.

Det är inte tillåtet att bearbeta material som kan vara hälsovärdigt (t.ex. asbest).

Stäng av maskinen omedelbart om ett verktyg som används sitter fast! Sätt sedan inte på maskinen igen så länge som verktyget som används fortfarande sitter fast; risk för okontrollerade slag med högt reaktionsmoment. Ta reda på orsaken varför verktyget fastnade och åtgärda orsaken med hänsyn till säkerhetsanvisningarna.

Möjliga orsaker kan vara:

- Verktyget sitter snett i arbetsstycket
- Verktyget går igenom materialet som bearbetas
- Elverktyget är överbelastat

Gå aldrig med händerna in i en maskin som är igång.

Verktyget som används kan bli mycket varmt under användningen.

VARNING! Risk för brännskador

- vid verktygsbyte
- när man lägger ifrån sig maskinen

Avlägsna aldrig spån eller flisor när maskinen är igång.

Vid arbetenborring i vägg, tak eller golv, var alltid observant på befintliga el-, gas- eller vattenledningar.

Säkra arbetsstycket med en fastspänningsanordning. Arbetsstycken som inte är ordentligt fastspända kan leda till allvarlig kroppsskada eller annan skada.

Spruckna sågklingor eller sådana som förändrat form får ej användas!

Är endast möjlig i mjuka material (trä m.m.) vid hårdare material (metall) rekommenderas förborring.

Drag ur batteripaketet innan arbete utföres på maskinen.

Kasta inte förbrukade batterier. Lämna dem till Milwaukee Tools för återvinning.

Förvara ej batteriet ihop med metallföremål, kortslutning kan uppstå.

Se upp så att inga metallföremål hamnar i laddarens batterischakt, kortslutning kan uppstå.

System M18 batterier laddas endast i System M18 laddare. Ladda inte batterier från andra system.

Batterier lagras torrt och skyddas för fukt.

Under extrem belastning eller extrem temperatur kan **batterivätska tränga ut ur skadade utbytesbatterier. Vid beröring med batterivätska tvätta genast av med vatten och tvål. Vid ögonkontakt spola genast i minst 10 minuter och kontakta genast läkare.**

Varning! För att undvika den fara för brand, personskador eller produktskador som orsakas av en kortslutning, doppa inte ner verktyget, utbytesbatterier eller laddaren i vätskor och se till att ingen vätska kan tränga in i apparaterna eller batterierna. Korroderande eller ledande vätskor, som saltvatten, vissa kemikalier, blekningsmedel eller produkter som innehåller blekmedel, kan orsaka en kortslutning.

ANVÄND MASKINEN ENLIGT ANVISNINGARNA

Sticksågen sägar i trä, plast och metall. Den skär rakt, gering- och figursågar.

Maskinen får endast användas för angiven tillämpning.

CE-FÖRSÄKRAN

Vi intygar och ansvarar för att den produkt som beskrivs under "Tekniska data" överensstämmer med alla relevanta bestämmelser i direktiv 2011/65/EU (RoHS), 2014/30/EU, 2006/42/EG och följande harmoniserade normerande dokument:

EN 62841-1:2015
EN 62841-2-11:2016
EN 55014-1:2017
EN 55014-2:2015
EN 50581:2012

Winnenden, 2018-03-31



Alexander Krug
Managing Director

Befullmäktigad att sammanställa teknisk dokumentation.

Technronic Industries GmbH

Max-Eyth-Straße 10

71364 Winnenden

Germany



BELASTNINGSAVHÄNGIGT MOTORSKYDD

Om motorn överbelastas för mycket slår överlastskyddet till. För att kunna fortsätta arbeta måste man först fränkoppla maskinen och sedan tillkoppla den igen.

MJUKSTART

Mjukstart för säker hantering, inget ryck vid uppstart av maskinen.

BATTERIER

Batteri som ej använts på länge måste laddas före nytt bruk.

En temperatur över 50°C reducerar batteriets effekt. Undvik längre uppvärmning tex i solen eller nära ett element.

Se till att anslutningskontaktarna i laddaren och på batteriet är rena.

För att batterierna ska få lång livslängd ska de laddas fulla efter användning.

För att få en så lång livslängds som möjligt bör laddningsbara batterier avlägsnas från laddaren när de är laddade.

Om laddningsbara batterier lagras längre än 30 dagar:

Lagra batteriet torrt och vid ca 27°C.

Lagra batteriet vid ca 30%-50% av laddningskapaciteten.

Ladda batterierna på nytt var 6:e månad.

BATTERI-ÖVERBELASTNINGSSKYDD

Batteripaketet är utrustat med ett överlastskydd som skyddar batteriet mot överbelastning och därmed säkerställer en lång livslängd. Vid extremt stark belastning stänger batterielektroniken av maskinen automatiskt. Stäng först av och slå sedan på maskinen igen för att fortsätta att arbeta. Skulle maskinen inte starta igen, är batteripaketet kanske urladdat och måste på laddas upp igen i laddaren.

TRANSPORTERA LITIJUMJON-BATTERIER

För litiumjon-batterier gäller de lagliga föreskrifterna för transport av farligt gods på väg.

Därför får dessa batterier endast transporteras enligt gällande lokala, nationella och internationella föreskrifter och bestämmelser.

- Konsumenter får transportera dessa batterier på allmän väg utan att behöva beakta särskilda föreskrifter.
- För kommersiell transport av litiumjon-batterier genom en speditiönsfirma gäller emellertid bestämmelserna för transport av farligt gods på väg. Endast personal som känner till alla tillämpliga föreskrifter och bestämmelser får förbereda och genomföra transporten. Hela processen ska följas upp på fackmässigt sätt.

Följande ska beaktas i samband med transporten av batterier:

- Säkerställ att alla kontakter är skyddade och isolerade för att undvika kortslutning.
- Se till att batteripacken inte kan glida fram och tillbaka i förpackningen.
- Transportera aldrig batterier som läcker, har runnit ut eller är skadade.

För mer information vänligen kontakta din speditiönsfirma.

SKÖTSEL

Se till att motorhöljets luftslitsar är rena.

Använd endast Milwaukee tillbehör och reservdelar. Reservdelar vars utbyte ej beskrivs bytes bäst av Milwaukee auktoriserad serviceverkstad (se broschyr Garanti/Kundjansadresser).

Vid behov av sprängskiss, kan en sådan, genom att uppges maskinens art, nr. (som finns på typskylten) erhållas från: Technronic Industries GmbH, Max-Eyth-Straße 10, 71364 Winnenden, Germany.

SYMBOLER

	OBSERVERA! VARNING! FARA!
	Drag ur batteripaketet innan arbete utföres på maskinen.
	Läs instruktionen noga innan du startar maskinen.
	Använd alltid skyddsglasögon.
	Bär skyddshandskar!
	Använd hörselskydd!
	Tillbehör - Ingår ej i leveransomfånget, erhålles som tillbehör.
	Elektriska maskiner, batterier/uppladdningsbara batterier och får inte slängas tillsammans med de vanliga hushållsoporna. Elektriska maskiner och uppladdningsbara batterier ka samlas separat och lämnas till en avfallsstation för miljövänlig avfallshantering. Kontakta den lokala myndigheten respektive kommunen eller fråga återförsäljare var det finns speciella avfallsstationer för elskrot.
	Tomgångslagtal
	Spänning
	Likström
	Europeiskt konformitetsmärke
	Ukrainskt konformitetsmärke
	Euroasiatiskt konformitetsmärke

TEKNISET ARVOT	AKKUPISTOSAHA	M18 FJS
Tuotantonumero	4692 59 01... ...000001-999999	
Jännite vaihtoaku	18 V	
Kuormittamaton iskukulu	0-3500 min ⁻¹ (+/- 10%)	
Iskun pituus	25 mm	
Vinoleikkaukset asti	45°	
Leikkausvyödyt:		
Puuhuu	100 mm	
Alumiini	19 mm	
Teräkseen	10 mm	
Paino EPTA-menetellyn 01/2014 mukaan (2,0 Ah - 12,0 Ah)	2,63 - 3,69 kg	
Suosittelun ympäristön lämpötila työn aikana	-18...+50 °C	
Suosittelut akkutyypit	M18B2... M18B9, M18HB12	
Suosittelut latauslaitteet	M12-18 ... ; M1418C6	

Melunpäästö-/tärinä tiedot

Mitta-arvot määritetty EN 62841 mukaan.

Koneen tyyppillinen A-luokitettu melutaso:

Melutaso (Epävarmuus K=3dB(A))

Äänenvoimakkuus (Epävarmuus K=3dB(A))

Käytä kuulosuojaimia!

Värähtelyn yhteisarvot (kolmen suunnan vektorisumma) mitattuna EN 62841 mukaan.

Puun sahaaminen *1

Värähtelyemissioarvo a_w

Epävarmuus K=

Metallipellin sahaaminen *2

Värähtelyemissioarvo a_w

Epävarmuus K=

*1 BIM-sahanterällä, koko 100 x 7,5 x 1,0 mm ja hammastus 2,5 mm

*2 BIM-sahanterällä, koko 75 x 7,5 x 1,0 ja hammastus 1,8 mm

VAROITUS

Näissä ohjeissa mainittu värähtelytaso on mitattu EN 62841 -standardin mukaisella mittausmenetelmällä ja sitä voidaan käyttää sähkötyökälujen vertaamiseen. Sitä voidaan käyttää myös värähtelyrastiuksen väliaikaiseen arviointiin.

Mainittu värähtelytaso edustaa sähkötyökälun pääasiallista käyttöä. Jos sähkötyökäluä kuitenkin käytetään muihin tehtäviin, poikkeavin työkaluin tai riittämättömästi huoltoen, värähtelytaso voi olla erilainen. Se voi korottaa värähtelyrastiusta koko työajan osalta.

Tarkan värähtelyrastiuksen toteamiseen tulee ottaa huomioon aika, jona laite on kytketty pois tai on kylkillään päällä, mutta ei käytössä. Se voi pienentää värähtelyrastiusta koko työajan osalta.

Määrittele lisaturvatoimenpiteitä käyttäjän suojaamiseksi värinöiden vaikutukselta, kuten esimerkiksi: sähkötyökälujen ja käyttötyökälujen huolto, käsien lämpimien pitäminen, työväihden organisaatio.

VAROITUS Lue kaikki turvallisuusmääräykset, ohjeet, kuvitukset ja erittelyt, jotka toimitetaan tämän sähkötyökälun mukana. Jäljempänä annettujen ohjeiden noudattamisen laiminlyönti saattaa johtaa sähköiskuun, tulipaloon ja/tai vakavaan loukkaantumiseen.

Säilytä kaikki turvallisuus- ja muut ohjeet tulevaisuutta varten.

PISTOSAHOJEN TURVALLISUUSMÄÄRÄYKSET

Pitele laitetta vain eristetyistä tarttumapinnoista, kun suoritat sellaisia töitä, joissa leikkaustyökalu saattaa osua pihlassa oleviin sähköjohtoihin.

Leikkaustyökälun yhteys jännitteelliseen johtoon saattaa tehdä laitteen metalliset osat jännitteelliseksi ja aiheuttaa sähköiskun.

Käytä ruuvipuristimia tai muita käytännöllisiä apuvälineitä kiinnittämään työstettävä kappale tukevalle alustalle. Vain kädessä pidetty tai vartalolla vastaan painaen tuettu työstökappale saattaa luiskahtaa pois ja tästä voi seurata laitteen hallinnan menettäminen.

Käytä korvasuojia. Altistuminen melulle voi vahingoittaa kuuloa.

TÄYDENTÄVIÄ TURVALLISUUSMÄÄRÄYKSIÄ JA TYÖSKENNELYOHJEITA

Käytä suojaruuvareita. Käytä aina suojalaseja käyttäessäsi konetta. Suositemme suojaruuvareiden käyttöä, näihin kuuluvat polysojuaamari, työkasineet, tukevat, luistamattomat jalkineet, kypärä ja kuulosuojukset.

Koneen käytöstä aiheutuva pöly ja jäte voi olla haitallista terveydelle eikä sen vuoksi tulisi päästä kosketukseen ihon kanssa. Koneella työskennellessä on käytettävä sopivaa suojainta.

Terveydellisiä vaaroja aiheuttavien materiaalien (esim. asbestin) työstäminen on kielletty.

Jos käytetty työkalu juuttuu kiinni, sammuta laite heti! Älä kytke laitetta uudelleen päälle työkalun ollessa vielä kiinni juuttuneena, koska tästä saattaa aiheutua voimakas takaisku. Selvitä työkalun juuttumisen syy ja poista syy turvallisuusmääräyksiä noudattaen.

Mahdollisia syitä voivat olla:

- työkalun vinoutuminen työstökappaleessa
- työstetyn materiaalin puhkaiseminen
- sähkötyökälun ylikuormitus

Älä tartu käynnissä olevan koneen työosiin.

Käytetty työkalu saattaa kuumeta käytön aikana.

VAROITUS! Palovamman vaara

- työkalua vaihdettaessa
- laitetta pois laskettaessa

Lastuja tai puruja ei saa poistaa koneen käydessä.

Varo seinään, kattoon tai lattiaan porattaessa osumasta sähköjohtoon, kaasu- ja vesijohtoihin.

Varmista työstökappaleesi kiinnityslaitteella paikalleen. Varmistamattomat työstökappaleet saattavat aiheuttaa vakavia vammoja ja vaurioita.

Rikkiniäisiä sahateriä tai sellaisia, jotka ovat muuttaneet muotoaan ei saa käyttää!

Upotussahaus on mahdollista vain pehmeämpiin materiaaleihin (puu, kevytrakenteiset seinät), kovin materiaaleihin (metallit) on ensin tehtävä sahaterän suuruinen porausaukko.

Ota akku pois ennen kaikkia koneeseen tehtäviä toimenpiteitä.

Käytettyjä vaihtokakkuja ei saa polttaa eikä poistaa normaalin jätehuollon kautta.

Milwaukeella on tarjolla vanhoja vaihtokakkuja varten ympäristöystävällinen jätehuoltopalvelu.

Vaihtokakkuja ei saa säilyttää yhdessä metalliesineiden kanssa (oikosulkuvaara).

On varottava, ettei latauslaitteiden vaihtokäluätauskoloon joudu metalliesineitä (oikosulkuvaara).

Käytä ainoastaan System M18 latauslaitetta System M18 akkujen lataukseen. Älä käytä muiden järjestelmien akkuja.

Vaihtokakkuja ja latauslaitteita ei saa avata. Säilytys vain kuivissa tiloissa. Suojattava kosteudelta.

Vaurioituneesta akusta saattaa erityisen kovassa käytössä siä poikkeavassa lämpötilassa vuotaa akkuhappoa. Ihonkohta, joka on joutunut kosketukseen akkuhapon kanssa on viipymättä pestävä vedellä ja saippualla. Silmä, johon on joutunut akkuhappoa, on huuhdeltava vedellä vähintään 10 minuutin ajan, jonka jälkeen on viipymättä hakeuduttava lääkärin apuun.

Varoitus! Jotta vältetään lyhytsulun aiheuttama tulipalon, loukkaantumisen tai tuotteen vahingoittumisen vaara, älä koskaan upota työkalua, vaihtokakkuja tai latauslaitetta nesteeseen ja huolehdi siitä, ettei mitään nesteitä pääse tunkeutumaan laitteiden tai akkujen sisään. Syövyttävät tai sähköä johtavat nesteet, kuten suolavesi, tietyt kemikaalit ja lalkaisuaineet tai valkaisuaineita sisältävät tuotteet voivat aiheuttaa lyhytsulun.

TARKOITUKSENMUKAINEN KÄYTTÖ

Pistosaha pystyy puuhun, muoviin ja metalliin. Sillä voidaan sahata suoria, viistoja ja käyrä leikkauksia sekä reikiä.

Älä käytä tuotetta ohjeiden vastaisesti.

TODISTUS CE-STANDARDINMUKAISUUDESTA

Vakuutamme yksivastuullisesti, että kohdassa "Tekniset tiedot" kuvattu tuote vastaa kaikkia sitä koskevia direktiivien 2011/65/EU (RoHS), 2014/30/EU, 2006/42/EY määräyksiä sekä seuraavia harmonisoituja standardisovivia asiakirjoja:

EN 62841-1:2015

EN 62841-2-11:2016

EN 55014-1:2017

EN 55014-2:2015

EN 50581:2012

Winnenden, 2018-03-31



Alexander Krug

Managing Director

Valtuutettu kokoamaan tekniset dokumentit.

Techtronic Industries GmbH

Max-Eyth-Straße 10

71364 Winnenden

Germany



KUORIMITUKSESTA RIIPPUVAINEN MOOTTORINSUOJA

Jos moottorin ylikuormitus on liian suuri, niin ylikuormitusuojaa laukeaa. Työn jatkamiseksi tulee kone sammuttaa ja käynnistää sitten uudelleen.

PEHMEÄKÄYNNISTYKSEN

Elektronisen pehmeäkäynnistyksen vuoksi kone kiihtyy jatkuvasti kunnes ennalta valittu nopeus on saavutettu

AKKU

Pitkään käyttämättä olleet vaihtoakut on ladattava ennen käyttöä.

Yli 50 °C lämpötilassa akun suorituskyky heikkenee. Vältä hän akkujen säilyttämistä auringossa tai kuivissa tiloissa.

Pidä aina latauslaitteen ja akun kosketinpinnat puhtaina.

Optimaalisen käyttöajan saavuttamiseksi akut on ladattava täyteen käytön jälkeen.

Mahdollisimman pitkän elinajan takaamiseksi akut tulee poistaa laturista lataamisen jälkeen.

Akkuja yli 30 päivää säilytettäessä:

Säilytä akku yli 27 °C:ssa ja kuivassa.

Säilytä akku sen latauksen ollessa 30 % - 50 %.

Lataa akku 6 kuukauden välein uudelleen.

AKUN YLIKUORMITUSSUOJAUS

Akkusarja on varustettu ylikuormitusuojalla, joka suojaa akkua ylikuormituksesta ja varmistaa sen pitkän elinkaaren.

Äänimäärisästyksessä akkuelektronikka sammuttaa koneen automaattisesti. Työn jatkamiseksi kone kytketään pois ja sitten jälleen päälle. Jos kone ei käynnisty uudelleen, niin akkusarja saattaa olla tyhjentynyt ja se täytyy ladata uudelleen latauslaitteella.

LITIUMI-IONI AKKUKUJEN KULJETTAMINEN

Litiumi-ioniakut kuuluvat vaarallisten aineiden kuljetuksesta annettujen lakien piiriin.

Näiden akkujen kuljettaminen täytyy suorittaa noudattaen paikallisia, kansallisia ja kansainvälisiä määräyksiä ja säädöksiä.

- Kuluttajat saavat ilman muuta kuljettaa näitä akkuja teitä pitkin.
- Kaupallisessa kuljetuksessa huoltaliikkeiden täytyy kuljettaa litiumi-ioniakkuja vaarallisten aineiden kuljetuksesta annettujen määräysten mukaisesti. Ainoastaan tähän vastaavasti koulutetut henkilöt saavat suorittaa kuljetuksen valmisteluomien ja itse kuljetuksen. Koko prosessia tulee valvoa asiantuntevasti.

Seuraavat kohdat tulee huomioida akkuja kuljetettaessa:

- Varmista, että akkujen kontaktit on suojattu ja eristetty, jotta vältetään lyhytsulut.
- Huolehdi siitä, ettei akkusarja voi luiskahtaa paikaltaan pakkauksen sisällä.
- Vahingoittuneita tai vuotavia akkuja ei saa kuljettaa.

Pyydä tarkemmat tiedot huoltaliikkeeltäsi.

HUOLTO

Pidä moottorin ilmanottoaukot puhtaina.

Käytä vain Milwaukeen lisälaitteita ja varaosia. Käytä ammattitaitoisten Milwaukeen-huoltosopimusliikkeiden palveluja muiden kuin käyttöohjeessa kuvattujen osien vaihdossa. (esite takuu/huoltoliikelle).

Tarpeen vaatiessa voit pyytää lähettämään laitteen kokoonpanopirustuksen ilmoittamalla arvokilven numeron seuraavasta osoitteesta: Techtronic Industries GmbH, Max-Eyth-Straße 10, 71364 Winnenden, Germany.

SYMBOLIT



HUOMIO! VAROITUS! VAARA!



Ota akku pois ennen kaikkia koneeseen tehtäviä toimenpiteitä.



Lue käyttöohjeet huolellisesti, ennen koneen käynnistämistä.



Käytä laitteella työskennellessäsi aina suojalaseja.



Käytä suojakäsineitä!



Käytä kuulosuojaimia!



Lisäläite - Ei sisälly vakiovarustukseen, saatavana lisätarvikkeena.



Sähkölaitteita, paristoja/akkuja ei saa hävittää yhdessä kotitalousjätteiden kanssa. Sähkölaitteet ja akut tulee kerätä erikseen ja toimittaa kierrätysliikkeeseen ympäristöystävällistä hävittämistä varten. Pyydä paikallisilta viranomaisilta tai alan kauppiailtaisi tarkeimmat tiedot kierrätyspisteistä ja keräyspaikoista.



Kuormittamaton iskukulu



Jännite



Tasavirta



Ukrainan säännönmukaisuusmerkki



Euraasian säännönmukaisuusmerkki

ΤΕΧΝΙΚΑ ΣΤΟΙΧΕΙΑ	ΣΕΓΑ ΜΠΑΤΑΡΙΑΣ	M18 FJS
Αριθμός παραγωγής.....		4692 59 01... ...000001-999999
Τάση ανταλλακτικής μπαταρίας.....		18 V
Αριθμός παλινδρομήσεων χωρίς φορτίο		0-3500 min ⁻¹ (+/- 10%)
Ύψος διαδρομής.....		25 mm
Λοξά κοψίματα μέχρι.....		45°
Μέγιστο βάθος κοπής σε:		
Ξύλο.....		100 mm
Άλουμνιο		19 mm
Χάλυβας		10 mm
Βάρος σύμφωνα με τη διαδικασία EPTA 01/2014 (2,0 Ah - 12,0 Ah).....		2,63 - 3,69 kg
Συνιστώμενη θερμοκρασία περιβάλλοντος κατά την εργασία		-18...+50 °C
Συνιστώμενοι τύποι συσσωρευτών.....		M18B2... M18B9, M18HB12
Συνιστώμενες συσκευές φόρτισης.....		M12-18 ... ; M1418C6

Πληροφορίες θορύβου/δονήσεων

Τιμές μέτρησης εξακριβωμένες κατά EN 62841.

Η σύφωνα με την καμπύλη Α εκτιμηθείσα στάθμη θορύβου του μηχανήματος αναφέρεται σε:

Στάθμη ηχητικής πίεσης (Ανασφάλεια K=3dB(A))..... 88,68 dB (A)

Στάθμη ηχητικής ισχύος (Ανασφάλεια K=3dB(A))..... 99,68 dB (A)

Φοράτε προστασία ακοής (ωτασπίδες)!

Υλικές τιμές κραδασμών (άθροισμα διανυσμάτων τριών διευθύνσεων) εξακριβώθηκαν σύμφωνα με τα πρότυπα EN 62841.

Πρίονισμα ξύλων *1

Τιμή εκπομπής δονήσεων a_h..... 21,25 m/s²

Ανασφάλεια K=..... 1,5 m/s²

Πρίονισμα μεταλλικών ελασμάτων *2

Τιμή εκπομπής δονήσεων a_h..... 17,34 m/s²

Ανασφάλεια K=..... 1,5 m/s²

*1 με πριονολεπίδα BIM διαστάσεων 100 x 7,5 x 1,0 χιλ. και βήματος οδόντωσης 2,5 χιλ.

*2 με πριονολεπίδα BIM διαστάσεων 150 x 1,25 χιλ. και βήματος οδόντωσης 1,8 χιλ.

ΠΡΟΕΙΔΟΠΟΙΗΣΗ

Το αναφερόμενο σ' αυτές τις οδηγίες επίπεδο δονήσεων έχει μετρηθεί με μια τυποποιημένη σύμφωνα με το EN 62841 μέθοδο μέτρησης και μπορεί να χρησιμοποιηθεί για τη σύγκριση των ηλεκτρικών εργαλείων μεταξύ τους. Αυτό είναι επίσης κατάλληλο για μια προσωρινή εκτίμηση της επιβάρυνση των δονήσεων.

Το αναφερόμενο επίπεδο δονήσεων αντιπροσωπεύει τις κύριες χρήσεις του ηλεκτρικού εργαλείου. Εάν όμως το ηλεκτρικό χρησιμοποιείται σε άλλες χρήσεις, με διαφορετικά εργαλεία εφαρμογής ή ανεπαρκή συντήρηση, μπορεί να υπάρξει απόκλιση του επιπέδου δονήσεων. Αυτό μπορεί να αυξήσει σημαντικά την επιβάρυνση των δονήσεων για τη συνολική διάρκεια της εργασίας.

Για μια ακριβή εκτίμηση της επιβάρυνσης των δονήσεων οφείλουν επίσης να λαμβάνονται υπόψη οι χρόνοι, στους οποίους η συσκευή είναι απενεργοποιημένη ή είναι μεν ενεργοποιημένη αλλά δεν χρησιμοποιείται πραγματικά. Αυτό μπορεί να μειώσει σημαντικά την επιβάρυνση των δονήσεων για τη συνολική διάρκεια της εργασίας.

Καθορίστε πρόσθετα μέτρα ασφαλείας για την προστασία του χειριστή από την επιβάρυνση των δονήσεων όπως για παράδειγμα: Συντήρηση του ηλεκτρικού εργαλείου και των εργαλείων εφαρμογής, διατηρείτε ζεστά τα χέρια, οργάνωση των διαδικασιών εργασίας.

⚠ ΠΡΟΕΙΔΟΠΟΙΗΣΗ! Διαβάστε όλες τις προειδοποιητικές υποδείξεις, οδηγίες, περιγραφές και προδιαγραφές ψ' αυτό το ηλεκτρικό εργαλείο. Αμείλιες κατά την πήρηση των προειδοποιητικών υποδείξεων μπορεί να προκαλέσουν ηλεκτροπληξία, κίνδυνο πυρκαγιάς ή/και σοβαρούς τραυματισμούς.

Φυλάξτε όλες τις προειδοποιητικές υποδείξεις και οδηγίες για κάθε μελλοντική χρήση.

⚠ ΥΠΟΔΕΙΞΕΙΣ ΑΣΦΑΛΕΙΑΣ ΓΙΑ ΣΕΓΕΣ.

Να πιάνετε τη συσκευή στις μονομιμένες χειρολαβές όταν εκτελείτε εργασίες κατά τις οποίες τα κοπτικά εργαλεία θα μπορούσαν να πέσουν επάνω σε κρυμμένα καλώδια ρεύματος.

Η επαφή των κοπτικών εργαλείων με αγνώστους τροφοδοσίας τάσης μπορεί να θέσει τα μεταλλικά τμήματα της συσκευής υπ' όταση και να προκαλέσει ηλεκτροπληξία.

Χρησιμοποιείτε σφινκτριές ή άλλα πρακτικά βοηθητικά μέσα για να στερεώσετε το τεμάχιο κατεργασίας επάνω σε μια σταθερή βάση. Σε κράτμα του τεμαχίου κατεργασίας με το χέρι ή στηρίξη του με το σώμα μπορεί να γλιστρήσει το τεμάχιο κατεργασίας και αυτό μπορεί να οδηγήσει σε ατύχημα του ελέγχου.

Φοράτε ωτοασπίδες. Η επιβάρυνση θορύβου μπορεί να προκαλέσει απώλεια ακοής.

ΠΕΡΑΙΤΕΡΟ ΟΔΗΓΙΕΣ ΑΣΦΑΛΕΙΑΣ ΚΑΙ ΧΡΗΣΕΩΣ

Χρησιμοποιείτε προστατευτικό εξοπλισμό. Κατά την εργασία με τη μηχανή φοράτε πάντα προστατευτικά γυαλιά. Συνιστούμε επίσης προστατευτική ενδυμασία όπως επίσης μάσκα προστασίας αναπνοής, προστατευτικά γάντια, σταθερά και ασφαλή στην ολίσθηση υποδήματα, κράνος και ωτοασπίδες.

Η σκόνη που δημιουργείται κατά την εργασία είναι συχνά επιβλαβής για την υγεία και δεν επιτρέπεται να έλθει στο σώμα. Να φοράτε κατάλληλη μάσκα προστασίας από σκόνη.

Μην επεξεργάζεστε επικίνδυνα για την υγεία υλικά (π.χ. αμιάντος).

Σε περίπτωση μπλοκαρίσματος της αριδίας απενεργοποιήστε αμέσως τη συσκευή! Μην ενεργοποιείτε εκ νέου τη συσκευή όσο η αριδα είναι μπλοκαρισμένη. Σ' αυτή τη περίπτωση θα μπορούσε να προκύψει υψηλή ροπή αντίδρασης. Βρείτε την άπια του μπλοκαρίσματος της αριδίας και ξεμπλοκαρέτε την λαμβάνοντας υπόψη τις οδηγίες ασφαλείας.

Πιθανές απίες:

- Η αριδα μάγκωσε με το προς κατεργασία κομμάτι.

- Σπάζσιμο του προς κατεργασία υλικού.

- Υπερφόρτιση του ηλεκτρικού εργαλείου.

Μην απλώνετε τα χέρια σας στην επικίνδυνη περιοχή της μηχανής όταν είναι σε λειτουργία.

συσσωρευτή ή τη συσκευή φόρτισης σε υγρά και να φροντίζετε, ώστε να μη διασπώνουν υγρά στις συσκευές και τους συσσωρευτές. Διαβρωτικές ή αμύγιμες υγρές ουσίες, όπως αλατόνερο, ορισμένες χημικές ουσίες και λευκαντικά ή προϊόντα που περιέχουν λευκαντικά, μπορεί να προκαλέσουν βραχυκύκλωμα.

ΧΡΗΣΗ ΣΥΜΦΩΝΑ ΜΕ ΤΟ ΣΚΟΠΟ ΠΡΟΟΡΙΣΜΟΥ

Η σένα πριονίζει ξύλο, πλαστικό και μέταλλο. Κόβει ευθεία, λοξά, καμπύλες και εσωτερικά ανοίγματα.

Αυτή η συσκευή επιτρέπεται να χρησιμοποιηθεί μόνο σύμφωνα με τον αναφερόμενο σκοπό προορισμού.

ΔΗΛΩΣΗ ΠΙΣΤΟΤΗΤΑΣ ΕΚ

Δηλώνουμε υπεύθυνα ότι το προϊόν που περιγράφεται στο κεφάλαιο «Τεχνικά χαρακτηριστικά» είναι συμβατό με τις διατάξεις της Κοινοτικής Οδηγίας 2011/65/EU (RoHS), 2014/30/EU, 2006/42/ΕΚ και με τα ακόλουθα εναρμονισμένα κανονιστικά έγγραφα:

EN 62841-1:2015

EN 62841-2-1:2016

EN 55014-1:2017

EN 55014-2:2015

EN 50581:2012

Winnenden, 2018-03-31

Alexander Krug

Managing Director

Εξουσιοδοτημένος να συντάξει τον τεχνικό φάκελο.

Techtronic Industries GmbH

Max-Eyth-Straße 10

71364 Winnenden

Germany

CE

Εξουσιοδοτημένος να συντάξει τον τεχνικό φάκελο.

Techtronic Industries GmbH

Max-Eyth-Straße 10

71364 Winnenden

Germany

ΠΡΟΣΤΑΣΙΑ ΚΙΝΗΤΗΡΑ ΕΞΑΡΤΩΜΕΝΗ ΑΠΟ ΤΟ ΦΟΡΤΙΟ

Σε περίπτωση υψηλής υπερφόρτωσης του κινητήρα, ενεργοποιείται η προστασία υπερφόρτωσης. Για να συνεχίσετε την εργασία σας, απενεργοποιήστε και επανενεργοποιήστε τη μηχανή.

ΜΑΛΑΚΟ ΕΝΑΡΞΗ

Το ηλεκτρονικό σύστημα αυξάνει ομαλά τον αριθμό στροφών ώστε να αποφευχθεί μια απότομη εκκίνηση της μηχανής και να διασφαλισθεί ο σίγουρος χειρισμός της.

ΜΠΑΤΑΡΙΑΣ

Επαναφορτίστε τις ανταλλακτικές μπαταρίες που δεν έχουν χρησιμοποιηθεί για μεγαλύτερο χρονικό διάστημα πριν τη χρήση.

Μια θερμοκρασία πάνω από 50°C μειώνει την ισχύ της ανταλλακτικής μπαταρίας. Αποφεύγετε τη θέρμανση για μεγαλύτερο χρονικό διάστημα από τον ήλιο ή τις συσκευές θέρμανσης.

Διατηρείτε τις επαφές σύνδεσης στο φορτιστή και στην ανταλλακτική μπαταρία καθαρές. Για μια άριστη διάρκεια ζωής πρέπει μετά τη χρήση οι μπαταρίες να φορτιστούν πλήρως.

Για μια κατά το δυνατόν μεγάλη διάρκεια ζωής οι μπαταρίες μετά τη φόρτιση οφείλουν να αφαιρεθούν από το φορτιστή.

Για την αποθήκευση της μπαταρίας για διάστημα μεγαλύτερο των 30 ημερών: Αποθηκεύετε τη μπαταρία περ. στους 27°C σε στεγνό χώρο.

Αποθηκεύετε τη μπαταρία περ. στο 30%-50% της κατάστασης φόρτισης. Κάθε 6 μήνες φορτίζετε εκ νέου τη μπαταρία.

ΠΡΟΣΤΑΣΙΑ ΕΝΑΝΤΙ ΥΠΕΡΦΟΡΤΩΣΗΣ ΜΠΑΤΑΡΙΑΣ

Το πακέτο μπαταρίας είναι εξοπλισμένο με μια προστασία υπερφόρτωσης, η οποία προστατεύει τη μπαταρία από υπερφόρτωση και εξασφαλίζει μια μεγάλη διάρκεια ζωής.

Σε ιδιαίτερα υψηλή καταπόνηση ο ηλεκτρονικός εξοπλισμός της μπαταρίας απενεργοποιεί αυτόματα τη μηχανή. Για να συνεχίσετε την εργασία απενεργοποιείτε και ενεργοποιείτε πάλι τη μηχανή. Εάν δεν ξεκινήσει πάλι η μηχανή, πιθανό το πακέτο μπαταρίας να είναι άδειο και θα πρέπει να φορτιστεί εκ νέου στη συσκευή φόρτισης.

ΜΕΤΑΦΟΡΑ ΤΩΝ ΜΠΑΤΑΡΙΑΣ ΙΟΝΤΩΝ ΛΙΘΙΟΥ

Οι μπαταρίες ιόντων λιθίου υπόκεινται στις απαιτήσεις των νομικών διατάξεων για την μεταφορά επικινδύνων εμπορευμάτων.

Η μεταφορά τέτοιων μπαταριών πρέπει να πραγματοποιείται πηρώντας τους τοπικούς, εθνικούς και διεθνείς κανονισμούς και τις αντίστοιχες διατάξεις.

- Επιτρέπεται η μεταφορά τέτοιων μπαταριών στο δρόμο χωρίς περαιτέρω απαιτήσεις.

- Η εμπορική μεταφορά μπαταριών ιόντων λιθίου από εταιρείες μεταφορών υπόκειται στις απαιτήσεις των νομικών διατάξεων για την μεταφορά επικινδύνων εμπορευμάτων. Οι προετοιμασίες αποστολής και η μεταφορά πραγματοποιούνται αποκλειστικά από ειδικά εκπαιδευμένα πρόσωπα. Η συνολική διαδικασία συνοδεύεται από εξειδικευμένο προσωπικό.

Κατά τη μεταφορά μπαταριών ιόντων λιθίου πρέπει να προσέχετε τα εξής:

- Φροντίστε τα σημεία επαφών να είναι προστατευμένα και μονωμένα ώστε να αποφευχθούν βραχυκυκλώματα.

- Προσέξτε το πακέτο μπαταριών να είναι σταθερό μέσα στη συσκευασία και να μην γλιστρά.

- Η μεταφορά μπαταριών που παρουσιάζουν φθορές ή διαρροές δεν επιτρέπεται.

Για περισσότερες πληροφορίες απευθυνθείτε στην εταιρεία μεταφορών.

ΣΥΝΤΗΡΗΣΗ

Διατηρείτε πάντοτε τις σχισμές εξερισμού της μηχανής καθαρές.

Χρησιμοποιείτε μόνο εξαρτήματα και ανταλλακτικά της Milwaukee. Αναθέστε την αλλαγή των εξαρτημάτων, των οποίων η αντικατάσταση δεν έχει περιγραφεί, σ' ένα κέντρο σέρβις της Milwaukee (προσέξτε το εγχειρίδιο Εγύμνηση/Διευθύνσεις εξυπηρέτησης πελατών).

Όταν χρειάζεται, μπορείτε να ζητήσετε ένα σχέδιο συναρμολόγησης της συσκευής, δίνοντας τον τύπο της μηχανής και αριθμό στην πινακίδα ισχύος, από το κέντρο σέρβις ή απευθείας από τη φίρμα Techtronic Industries GmbH, Max-Eyth-Straße 10, 71364 Winnenden, Germany.

ΣΥΜΒΟΛΑ

⚠

🔧

📖

👂

🔊

🔋

🔧

👂

🔊

🔋

🔧

👂

🔊

🔋

🔧

👂

🔊

🔋

🔧

👂

🔊

🔋

🔧

👂

🔊

🔋

🔧

👂

🔊

🔋

🔧

👂

🔊

🔋

🔧

👂

🔊

🔋

🔧

👂

🔊

🔋

🔧

👂

🔊

🔋

🔧

👂

🔊

🔋

🔧

👂

🔊

🔋

🔧

👂

🔊

🔋

🔧

👂

🔊

🔋

🔧

👂

🔊

🔋

🔧

👂

🔊

🔋

🔧

👂

🔊

🔋

🔧

👂

🔊

🔋

🔧

👂

🔊

TEKNİK VERİLER	AKÜ KIL TESTERESİ	M18 FJS
Üretim numarası.....	4692 59 01... ...000001-999999	
Kartuş akü gerilimi.....	18 V	
Boşta ki strok sayısı.....	0-3500 min ⁻¹ (+/- 10%)	
Strok yüksekliği.....	25 mm	
Maksimum eğik kesim.....	45°	
Maksimum kesme derinliği:		
Tahta.....	100 mm	
Alüminyum.....	19 mm	
Çelikte.....	10 mm	
Ağırlığı ise EPTA-üretici 01/2014'e göre.(2.0 Ah - 12.0 Ah).....	2,63 - 3,69 kg	
Çalışma sırasında tavsiye edilen ortam sıcaklığı.....	-18...+50 °C	
Tavsiye edilen akü tipleri.....	M18B2... M18B9, M18HB12	
Tavsiye edilen şarj aletleri.....	M12-18 ... ; M1418C6	

Gürültü/Vibrasyon bilgileri

Ölçüm değerleri EN 62841 e göre belirlenmektedir.

Aletin, frekansa bağımlı uluslararası ses basıncı seviyesi değerlendirme eğrisi A'ya göre

tipik gürültü seviyesi:

Ses basıncı seviyesi (Tolerans K=3dB(A))..... 88,68 dB (A)

Akustik kapasite seviyesi (Tolerans K=3dB(A))..... 99,68 dB (A)

Koruyucu kulaklık kullanın!

Toplam titreşim değeri (üç yönün vektör toplamı) EN 62841'e göre belirlenmektedir:

Ağaç yontma *1

titreşim emisyon değeri a_w..... 21,25 m/s²

Tolerans K=..... 1,5 m/s²

Metal saç yontma *2

titreşim emisyon değeri a_w..... 17,34 m/s²

Tolerans K=..... 1,5 m/s²

*1 BIM testere, Boyu 100 x 7,5 x 1,0 mm ve diş dağılımı 2,5 mm

*2 BIM testere, Boyu 75 x 7,5 x 1,0 ve diş dağılımı 1,8 mm

UYARI

Bu talimatlarda belirtilen titreşim seviyesi, EN 62841 standardına uygun bir ölçme metodu ile ölçülmüştür ve elektrikli el aletleri birbiriyle karşılaştırmak için kullanılabilir. Ölçüm sonuçları ayrıca titreşim yükünün geçici değerlendirmesi için de uygundur.

Belirtilen titreşim seviyesi, elektrikli el aletin genel uygulamaları için geçerlidir. Ancak elektrikli el aleti başka uygulamalar için, farklı eklenti parçalarıyla ya da yetersiz bakım koşullarında kullanılırsa, titreşim seviyesi farklılık gösterebilir. Bu durumda, titreşim yükü toplam çalışma zaman aralığı içerisinde belirgin ölçüde yükselir.

Titreşim yükünün tam bir değerlendirmesi için ayrıca cihazın kapalı olduğu süreler ve cihazın çalışır durumda olduğu, ancak gerçek kullanımda bulunmadığı süreler de dikkate alınmalıdır. Böylelikle, toplam çalışma zamanı aralığı boyunca meydana gelen titreşim yükü belirgin ölçüde azaltılabilir.

Kullanıcıyı titreşimlerin etkisinden korumak üzere, örneğin elektrikli el aletlerinin ve eklenti parçalarının bakımı, ellerin sıcak tutulması ve iş akışlarının organizasyonu gibi ek güvenli tedbirleri belirleyiniz.

UYARI! Bu elektrikli el aletle ilgili bütün uyarıları, talimat hükümlerini, gösterimleri ve spesifikasyonları okuyun. Aşağıda açıklanan talimat hükümlerine uyulmadığı takdirde elektrik çarpmalarına, yangınlara ve/veya ağır yaralanmalara neden olabilir.

Bütün uyarıları ve talimat hükümlerini ileride kullanmak üzere saklayın.

DEKUPAJ TESTERELERİ İÇİN GÜVENLİK UYARILARI

Kesme aletinin eğrilmiş elektrik kabloları isabet eden çalışmalar yapılırken cihazı izole edilmiş kollarından tutun.

Kesme aletinin içinden elektrik akımı geçen kablo ile temas etmesi durumunda elektrik akımı cihazın metal kısımlarına geçer ve elektrik çarpmasına sebebiyet verebilir.

Aleti sağlam bir altlığa sabit olarak tutturabilmek amacıyla vidalı mengene veya diğer pratik yardımcı aletler kullanınız. Aletin elle tutulması veya vücudunuzla bastırılması suretiyle alet kayabilir ve kontrolden çıkabilir.

Koruyucu kulaklık kullanın. Çalışırken çıkan gürültü işitme kayıplarına neden olabilir.

EK GÜVENLİK VE ÇALIŞMA TALİMATLARI

Koruma teçhizatı kullanın.Makinada çalışırken devamlı surette koruyucu gözlük takın. Koruyucu elbise ve tozlardan korunma maskesi, emniyet eldivenleri ve sağlam ve kaymaya mukavim ayakkabı giyin. Başlık ve kulaklık tavsiye edilir.

Çalışma sırasında ortaya çıkan toz genellikle sağlığa zararlıdır ve bedeninize temas etmemelidir. Uygun bir koruyucu toz maskesi kullanın

Sağlık tehlikelerine neden olan malzemelerin işlenmesi yasaktır (örn. asbest).

Uca yerleştirilen takım bloke olması halinde lütfen cihazı hemen kapatın! Uca yerleştirilen takım bloke olduğu sürece cihazı tekrar çalıştırmayın; bu sırada yüksek reaksiyon momentine sahip bir geri tepme meydana gelebilir. Uca yerleştirilen takımın neden bloke olduğuna bakın ve bu durumu güvenlik uyarılarına dikkat ederek gidirin.

Olası nedenler şunlar olabilir:

- İşlenen parça içinde takılma
- İşlenen malzemenin delinmesi
- Elektrikli alete aşırı yük binmesi

Ellerinizi çalışmakta olan makinenin içine uzatmayın.

Uca yerleştirilen takım kullanım sırasında ısınabilir.

UYARI! Yanma tehlikesi

- takım değiştirme sırasında
- aletin yere bırakılması sırasında

Alet çalışır durumda iken talaş ve kırpıntıları temizlemeye çalışmayın.

Duvar, tavan ve zeminde delik açarken elektrik kablolarına, gaz ve su borularına dikkat edin.

İşlenen parçayı bir germe tertibatıyla emniyete alın. Emniyete alınmayan iş parçaları ağır yaralanmalar ve hasarlara neden olabilir.

Çatlamaş ve deforme olmuş testere bıçaklarını kullanmayın!

Malzeme içine dalarak kesme sadece yumuşak malzemelerde (tahta, duvarlarda kullanılan hafif yapı malzemeleri gibi) mümkündür. Sert malzemelerde ise testere bıçağı boyutuna uygun bir ön kılavuz delik açılmalıdır.

Aletin kendinde bir çalışma yapmadan önce kartuş aküyü çıkarın.

Kullanılmış kartuş aküleri atesya veya ev çöplerine atmayın. Milwaukee, kartuş akülerin çevreye zarar vermeyecek biçimde tasfiye edilmesine olanak sağlayan hizmet sunar; lütfen bu konuda yetkili satıcınızdan bilgi alın.

Kartuş aküleri metal parça veya eşyalarla birlikte saklamayın (kısa devre tehlikesi).

Şarj cihazının kartuş akü yuvasına hiçbir şekilde metal parçalar kaçmamalıdır (kısa devre tehlikesi).

M18 sistemli kartuş aküleri sadece M18 sistemli şarj cihazları ile şarj edin.

Başka sistemli aküleri şarj etmeyin.

Kartuş aküleri ve şarj cihazını açmayın ve sadece kuru yerlerde saklayın. Neme ve ıslanmaya karşı koruyun.

Aşırı zorlanma veya aşırı ısınma sonucu hasar gören kartuş akülerden batarya sıvısı dışarı akabilir. Batarya sıvısı ile temasa gelen yeri hemen bol su ve sabunla yıkayın. Batarya sıvısı gözünüze kaçacak olursa en azından 10 dakika yıkayın ve zaman geçirmeden bir hekime başvurun.

Uyarı! Bir kısa devreden kaynaklanan yangın, yaralanma veya ürün hasarları tehlikesini önlemek için alet, güç paketini veya şarj cihazını asla sıvaların içine daldırmayınız ve cihazların ve pillerin içine sıvı girmesini önleyiniz. Tuzlu su, belirli kimyasallar, aşartıcı madde veya aşartıcı madde içeren ürünler gibi korozyif veya iletken sıvılar kısa devreye neden olabilir.

KULLANIM

Bu dekupaj testeresi tahta, plastik ve metali keser; düz, gönyeli, kavslı ve içten kesme işlerini yapar.

Bu alet sadece belirttiği gibi ve usulüne uygun olarak kullanılabilir.

CE UYGUNLUK BEYANI

Tek sorumlu olarak "Teknik Veriler" bölümünde tarif edilen ürünün 2011/65/EU (RoHS), 2014/30/EU, 2006/42/EC sayılı direktifin ve aşağıdaki harmonize temel belgelerin bütün önemli hükümlerine uygun olduğunu beyan etmekteyiz:

EN 62841-1:2015
EN 62841-2-11:2016
EN 55014-1:2017
EN 55014-2:2015
EN 50581:2012

Winnenden, 2018-03-31

Alexander Krug

Alexander Krug
Managing Director

Teknik evrakları hazırlamakla görevlendirilmiştir.

Techtronic Industries GmbH

Max-Eyth-Straße 10

71364 Winnenden

Germany

YÜKLEMeye BAĞIMLI MOTOR KORUMASI

Motora fazla yüklenmesi durumunda fazla yük koruma tertibatı açılır. Çalışmaya devam edebilmek için makineyi kapatın ve tekrar çalıştırın.

YUMUŞAK İLK

Güvenli kullanım sağlayan elektronik yumuşak ilk hareket; alet çalıştırıldığında gere tepmeleri öner.

AKÜ

Uzun süre kullanım dışı kalmış kartuş aküleri kullanmadan önce şarj edin. 50°C üzerindeki sıcaklıklar kartuş akünün performansını düşürür. Akünün güçes işiği veya mekân sıcaklığı altında uzun süre ısınmamasına dikkat edin.

Şarj cihazı ve kartuş aküdeki bağlantı noktalarını temiz tutun.

Akünün ömrünün mükemmel bir şekilde uzun olması için kullandıktan sonra tamamen doldurulması gerekir.

Ömrünün mümkün olduğu kadar uzun olması için akülerin yüklemeye yapıldıktan sonra doldurma cihazından uzaklaştırılması gerekir.

Akünün 30 günden daha fazla depolanması halinde:

Aküyü takriben 27°C'de kuru olarak depolayın.

Aküyü yüklemeye durumunun takriben % 30 - %50 olarak depolayın.

Aküyü her 6 ay yeniden doldurun.

AKÜNÜN AŞIRI YÜKLENMEYE KARŞI KORUNMASI

Akü donanımı, aküyü fazla yüklenmeye karşı koruyan ve uzun ömürlü olmasını garanti eden fazla yüklenmeye karşı bir koruma tertibatı ile teçhiz edilmiştir.

Aşırı fazla bir şekilde kullanılması durumunda akünün elektronik tertibatı makineyi otomatik olarak kapatır. Makinenin tekrar çalıştırılması amacı ile tekrar kapatın ve yeniden çalıştırın. Makine tekrar çalışmazsa, akü donanımı muhtemelen boşalmıştır ve o zaman yeniden şarj edilecek tekrar doldurulması gerekir.

LİTYUM İYON PİLLERİN TAŞINMASI

Lityum iyon piller tehlikeli madde taşımacılığı hakkındaki yasal hükümler tabidir. Bu piller, bölge, ulusal ve uluslararası yönetmeliklere ve hükümlere uyularak taşınmak zorundadır.

• Tüketici/ler bu pilleri herhangi bir özel şart aranmaksızın karayoluyla taşıyabilirler.

• Lityum iyon pillerin nakliye şirketleri tarafından ticari taşımacılığı için tehlikeli madde taşımacılığının hükümleri geçerlidir. Sevki hazırlığı ve taşıma sadece ilgili eğitimi görmüş personel tarafından gerçekleştirilebilir. Bütün süreç zamanca bir refakatçilik altında gerçekleştirilmek zorundadır.

Pillerin taşınması sırasında aşağıdaki hususlara dikkat edilmesi gerekmektedir:

- Kısa devre oluşmasını önlemek için kontakların korunmuş ve izole edilmiş olmasını sağlayınız.
- Pil paketinin ambalajı içinde kaymamasına dikkat ediniz.
- Hasarlı veya akmış pillerin taşınması yasaktır.

Ayrıca bilgiler için nakliye şirketinize başvurunuz.

BAKIM

Aletin havalandırma aralıklarını daima temiz tutun.

Sadece Milwaukee aksesuarını ve yedek parçalarını kullanın. Değiştirilmesi açıklanmamış olan parçaları bir Milwaukee müşteri servisinde değiştirin (Garanti broşürüne ve müşteri servisi adreslerine dikkat edin).

Gerektiği takdirde aletin dağıncı görünüş şeması, alet tipinin ve tip etiketi üzerindeki sayının bildirilmesi koşuluyla müşteri servisinden veya doğrudan Techtronic Industries GmbH, Max-Eyth-Straße 10, 71364 Winnenden, Germany adresinden istenebilir.

SEMBOLLER

	DIKKATI! UYARI! TEHLİKE!
	Aletin kendinde bir çalışma yapmadan önce kartuş aküyü çıkarın.
	Lütfen aleti çalıştırmadan önce kullanma kılavuzunu dikkatli biçimde okuyun.
	Aletle çalışırken daima koruyucu gözlük kullanın.
	Koruyucu eldivenlerinizi takınız!
	Koruyucu kulaklık kullanın!
	Aksesuar - Teslimat kapsamında değildir, önerilen tamamlayıcı aksesuar programında.
	Elektrikli cihazların, pillerin/akülerin evsel atıklarla birlikte bertaraf edilmesi yasaktır. Elektrikli cihazlar ve aküler ayrılarak biriktirilmeli ve çevreye zarar vermeden bertaraf edilmeleri için bir atık değerlendirme tesisine götürülmelidirler. Yerel makamlara veya satıcınıza geri dönüşüm tesisleri ve atık toplama merkezlerinin yerlerini danışınız.
	Boşta ki strok sayısı
	Voltaj
	Doğru akım
	Avrupa uyumluluk işareti
	Ukrayna uyumluluk işareti
	Avrasya uyumluluk işareti

TECHNICKÁ DATA	AKU PŘIMOČARÁ PILA	M18 FJS
Výrobní číslo	4692 59 01... ...000001-999999	
Napětí výměnného akumulátoru.....	18 V	
Počet zdvihu při b. napr.....	0-3500 min ⁻¹ (+/- 10%)	
Výška zdvihu	25 mm	
šikmé řezy do	45°	
Rezná hloubka max. v:		
Dřevo	100 mm	
Hliník	19 mm	
Ocel	10 mm	
Hmotnost podle prováděcího předpisu EPTA 01/2014 (2,0 Ah - 12,0 Ah).....	2,63 - 3,69 kg	
Doporučená okolní teplota při práci	-18...+50 °C	
Doporučené typy akumulátorů.....	M18B2... M18B9, M18HB12	
Doporučené nabíječky.....	M12-18 ... ; M1418C6	

Informace o hluku / vibracích

Naměřené hodnoty odpovídají EN 62841.

V tříde A posuzovaná hladina hluku přístroje činí typicky:

Hladina akustického tlaku (Kolísavost K=3dB(A))..... 88,68 dB (A)

Hladina akustického výkonu (Kolísavost K=3dB(A))..... 99,68 dB (A)

Používejte chrániče sluchu !

Celkové hodnoty vibrací (vektorový součet tří směrů) zjištěné

ve smyslu EN 62841.

Rezáni dřeva *1

Hodnota vibračních emisí a_h..... 21,25 m/s²

Kolísavost K=..... 1,5 m/s²

Rezáni kovových plechů *2

Hodnota vibračních emisí a_h..... 17,34 m/s²

Kolísavost K=..... 1,5 m/s²

*1 s pilovým listem BIM, rozměr 100 x 7,5 x 1,0 mm a rozestup zubů 2,5 mm

*2 s pilovým listem BIM, rozměr 75 x 7,5 x 1,0 a rozestup zubů 1,8 mm

VAROVÁN

Úroveň chvění uvedená v tomto návodu byla naměřena podle metody měření stanovené normou EN 62841 a může být použita pro porovnání elektrického nářadí. Hodí se také pro přibližný odhad zatížení chvěním.

Uvedená úroveň chvění představuje hlavní účely použití elektrického nářadí. Jestliže se ale elektrické nářadí používá pro jiné účely, s odlišnými nástroji nebo s nedostatečnou údržbou, může se úroveň chvění odlišovat. To může značně zvýšit zatížení chvěním během celé pracovní doby.

Pro přesný odhad zatížení chvěním se musí také zohlednit čas, během kterých je přístroj vypnutý nebo kdy je sice v chodu, ale skutečně se s ním nepracuje. To může zatížení chvěním během celé pracovní doby značně snížit.

Stavte doplňková bezpečnostní opatření pro ochranu obsluhy před účinky chvění jako například: technická údržba elektrického nářadí a nástrojů, udržování teploty rukou, organizace pracovních procesů.

VAROVÁNÍ! Přečtěte si všechna výstražná upozornění, pokyny, zobrazení a specifikace pro toto elektrické nářadí. Zanedbání při dodržování výstražných upozornění a pokynů uvedených v následujícím textu může mít za následek zásah elektrickým proudem, způsobit požár a/nebo těžké poranění.

Všechna varovná upozornění a pokyny do budoucna uschovejte.

BEZPEČNOSTNÍ POKYNY PRO DĚROVACÍ PILY

Při provádění prací, při kterých nástroj může narazit na skryta elektrická vedení, držte přístroj za izolované přidržovací plošky.

Kontakt řezného nástroje s vedením pod napětím může vést k přenosu napětí na kovové části přístroje a k úrazu elektrickým proudem.

K upevnění obráběného dílu na stabilním podkladu použijte šroubovou svěrku nebo jinou praktickou pomůcku. Přidržením obráběného dílu rukou nebo jeho přilacováním tělem se díl může vysmeknout a tím může dojít ke ztrátě kontroly.

Používejte chrániče sluchu. Působením hluku může dojít k poškození sluchu.

DALŠÍ BEZPEČNOSTNÍ A PRACOVNÍ POKYNY

Použijte ochranné vybavení. Při práci s elektrickým nářadím používejte vždy ochranné brýle. Doporučujeme rovněž použití součástí ochranného oděvu a ochranné obuvi, jako proluprášné masky, ochranných rukavic, pevné a nekouzající obuvi, ochranné přilby a ochrany sluchu.

Prach vznikající při práci s tímto nářadím může být zdraví škodlivý. Proto by neměl přijít do styku s tělem. Používejte při práci vhodnou ochranou masku.

Nesmějí se opracovávat materiály, které mohou způsobit ohrožení zdraví (např. azbest)

Při zablokování nasazeného nástroje přístroj okamžitě vypněte! Přístroj nezapínáte, pokud je nasazený nástroj zablokovaný; mohl by při tom vzniknout zpětný náraz s vysokým reakčním momentem. Zjistěte příčinu zablokování nasazeného nástroje a odstraňte ji při dodržení bezpečnostních pokynů.

Možnými příčinami mohou být:

- vzpříčení v opracovávaném obrobku
- přelomení opracovávaného materiálu
- přetížení elektrického přístroje

Nezasahujte do běžícího stroje.

Nasazený nástroj se může během používání rozpálit.

VAROVÁNÍ! Nebezpečí popalení.

- při výměně nástroje
- při odkládání přístroje

Pokud stroj běží, nesmí být odstraňovány třísky nebo odštěpky.

Při vrtní do zdi, stropu nebo podlahy dávat pozor na elektrické kabely, plynová a vodovodní potrubí.

Obrobek zabezpečte upínacím zařízením. Nezabezpečené obrobky mohou způsobit těžká poranění a poškození.

Popraskané nebo zdeformované pilové listy nesmí být používány!

Takzvané ponorné řezy jsou možné jen u měkkých materiálů. Zapneme nástroj a nasadíme ho na vodič třmen, jednou rukou době přidržíme kryt a druhou rukou zatlačíme ovladač nahoru a zanoříme pilový list.

Před zahájením veškerých prací na vrtacím šroubováků vyjmout výměnný akumulátor.

Použitě nevyhazujte do domovního odpadu nebo do ohně. Milwaukee nabízí ekologickou likvidaci starých článků, ptejte se u vašeho obchodníka s nářadím.

Náhradní akumulátor neskladujte s kovovými předměty, nebezpečí zkratu.

V nabíjecím postu nabíječky neskladujte kovové předměty, nebezpečí zkratu. Akumulátor systému M18 nabíječe pouze nabíječkou systému M18. Nenabíjejte akumulátory jiných systémů.

Náhradní akumulátory ani nabíječku neotvírejte, skladujte je v suchu, chraňte před vlhkem.

Při extrémní zátiži či vysoké teplotě může z akumulátoru vytékat kapalina. Při zasažení touto kapalinou okamžitě zasažená místa omyjte vodou a mýdlem. Při zasažení očí okamžitě důkladně po dobu alespoň 10 min. omyvat a neodkládně vyhledat lékaře.

Varování! Abyste zabránili nebezpečí požáru způsobeného zkratem, poraněním nebo poškozením výrobku, neponořujte nářadí, výměnnou baterii nebo nabíječku do kapaliny a zajistěte, aby do zařízení a akumulátoru nevnikly žádné tekutiny. Korodující nebo vodivé kapaliny, jako je slaná voda, určité chemikálie a bělicí prostředky nebo výrobky, které obsahují bělidlo, mohou způsobit zkrat.

OBLAST VYUŽITÍ

Přimočarár píla řeže dřevo, plast a kov. Je s ní možné provádět rovné řezy, řezy pod úhlem, křivky a vnitřní výřezy.

Toto zařízení lze používat jen pro uvedený účel.

CE-PROHLÁŠENÍ O SHODĚ

Výhradně na vlastní zodpovědnost prohlašujeme, že se výrobek popsaný v "Technických údajích" shoduje se všemi relevantními předpisy směrnice 2011/65/EU (RoHS), 2014/30/ES, 2006/42/ES a s následujícími harmonizovanými normativními dokumenty:

EN 62841-1:2015

EN 62841-2-11:2016

EN 55014-1:2017

EN 55014-2:2015

EN 50581:2012

Winnenden, 2018-03-31



Alexander Krug
Managing Director

Zplnomocněn k sestavování technických podkladů.

Techtronic Industries GmbH

Max-Eyth-Straße 10

71364 Winnenden

Germany

OCHRANA MOTORU PŘED PŘETÍŽENÍM

Při vysokém přetížení motoru se aktivuje motorový jistič. K pokračování v práci stroj vypněte a opět zapněte.

ŘÍZENÝ MĚKKÝ ROZBĚH

Elektronicky řízený měkký rozběh pro bezpečnější použití stroje zabraňuje i trhavému pohybu při rozběhu stroje.

AKUMULÁTORY

Hladina akustického tlaku (Kolísavost K=3dB(A))

Hladina akustického výkonu (Kolísavost K=3dB(A))

Teplota přes 50°C snižuje výkon akumulátoru. Chraňte před dlouhým přehříváním na slunci či u topení.

Kontakty nabíječky a akumulátoru udržujte v čistotě.

Pro optimální životnost je nutné akumulátory po použití plně dobít.

K zabezpečení dlouhé životnosti by se akumulátory měly po nabití vyjmout z nabíječky.

Při skladování akumulátoru po dobu delší než 30 dní:

Skladujte akumulátor v suchu při cca 27°C.

Skladujte akumulátor při cca 30%-50% nabíjecí kapacity.

Opakujte nabíjení akumulátoru každých 6 měsíců.

OCHRANA PROTI PŘETÍŽENÍ AKUMULÁTORU

Akumulátorová sada je vybavena ochranou proti přetížení, která ji chrání a zaručuje její dlouhou životnost.

Při extrémním zatížení elektronika akumulátoru elektrický nástroj vypne. K pokračování v práci nástroj vypněte a opět zapněte. V případě, že se motor nástroje ani potom nerozběhne, je akumulátorová sada pravděpodobně vybitá a musí se v nabíječce opět nabít.

PŘEPRAVA LITHIUM-IONTOVÝCH BATERIÍ

Lithium-iontové baterie spadají podle zákonných ustanovení pod přepravu nebezpečného nákladu.

Přeprava těchto baterií se musí realizovat s dodržováním lokálních, vnitrostátních a mezinárodních předpisů a ustanovení.

- Spotřebitelé mohou tyto baterie bez problémů přepravovat po komunikacích.
- Komerční přeprava lithium-iontových baterií prostřednictvím přepravních firem podléhá ustanovením o přepravě nebezpečného nákladu. Přípravu k vypeřování a samotnou přepravu smejí vykonávat jen příslušně vyškolené osoby. Na celý proces se musí odborně dohlížet.

Při přepravě baterií je třeba dodržovat následující:

- Zajistěte, aby kontakty byly chráněné a izolované, aby se zamezilo zkratům.
- Dávejte pozor na to, aby se svazek baterií v rámci balení nemohl sesmeknout.
- Poškozené a vyteklé baterie se nesmějí přepravovat.

Ohledně dalších informací se obraťte na vaši přepravní firmu.















ÚDRŽBA

Větrací štěrbinu nářadí udržujeme stále čisté.

Používejte výhradně náhradní díly a příslušenství Milwaukee. Díly, jejichž výměna nebyla popsána, nechávejte vyměnit v odborném servisu Milwaukee. (Viz záruční list.)

Při potřebě podrobného rozkresu konstrukce, oslovte informaci o typu a čísle přímo servis a nebo výrobce, Techtronic Industries GmbH, Max-Eyth-Straße 10, 71364 Winnenden, Germany.

SYMBOLY

	POZOR! VAROVÁNÍ! NEBEZPEČÍ!
	Před zahájením veškerých prací na vrtacím šroubováků vyjmout výměnný akumulátor.
	Před spuštěním stroje si pečlivě přečtěte návod k používání.
	Při práci se strojem neustále nosit ochranné brýle.
	Používejte ochranné rukavice!
	Používejte chrániče sluchu !
	Příslušenství není součástí dodávky, viz program příslušenství.
	Elektrická zařízení, baterie/akumulátory se nesmí likvidovat společně s odpadem z domácnosti. Elektrická zařízení, baterie/akumulátory je třeba sbírat odděleně a odevzdat je v recyklačním podniku na ekologickou likvidaci.
	Na místních úřadech nebo u vašeho specializovaného prodejce se informujte na recyklační podniky a sběrné dvory.
	Počet zdvihu při b. napr
	Napětí
	Stejnosměrný proud
	Značka shody v Evropě
	Značka shody na Ukrajině
	Značka shody pro oblast Eurasie

TECHNICKÉ ÚDAJE	AKUMULÁTOROVÁ DIEROVACIA PÍLA	M18 FJS
Výrobné číslo.....	4692 59 01.....	4692 59 01..... ...000001-999999
Napätie výmenného akumulátora.....	18 V.....	18 V.....
Počet zdvihov naprázdno.....	0-3500 min ⁻¹ (+/- 10%).....	0-3500 min ⁻¹ (+/- 10%).....
Výška zdvihu.....	25 mm.....	25 mm.....
Sikmé rezy až.....	45°.....	45°.....
Max. hĺbka rezu v:		
Drevo.....	100 mm.....	100 mm.....
Hliník.....	19 mm.....	19 mm.....
Oceľ.....	10 mm.....	10 mm.....
Hmotnosť podľa vykonávacieho predpisu EPTA 01/2014 (2,0 Ah - 12,0 Ah).....	2,63 - 3,69 kg.....	2,63 - 3,69 kg.....
Odporúčaná okolitá teplota pri práci.....	-18...+50 °C.....	-18...+50 °C.....
Odporúčané typy akupu.....	M18B2... M18B9... M18HB12.....	M18B2... M18B9... M18HB12.....
Odporúčané nabíjačky.....	M12-18... ; M1418C6.....	M12-18... ; M1418C6.....

Informácia o hluku / vibráciách

Namerané hodnoty určené v súlade s EN 62841.

V triede A posudzovaná hladina hluku prístroja činí typicky:

Hladina akustického tlaku (Kolísavosť K=3dB(A)).....	88,68 dB (A)
Hladina akustického výkonu (Kolísavosť K=3dB(A)).....	99,68 dB (A)

Používajte ochranu sluchu!

Celkové hodnoty vibrácií (vektorový súčet troch smerov) zistené v zmysle EN 62841.

Rezanie dreva *1

Hodnota vibračných emisií a _w	21,25 m/s ²
Kolísavosť K=.....	1,5 m/s ²

Rezanie kovových plechov *2

Hodnota vibračných emisií a _w	17,34 m/s ²
Kolísavosť K=.....	1,5 m/s ²

*1 s pilovým listom BIM, veľkosť 100 x 7,5 x 1,0 mm a rozstup zubov 2,5 mm

*2 s pilovým listom BIM, veľkosť 75 x 7,5 x 1,0 a rozstup zubov 1,8 mm

POZOR

Úroveň vibrácií uvedená v týchto pokynoch bola nameraná meracou metódou, ktorú stanovuje norma EN 62841 a je možné ju použiť na vzájomné porovnanie elektrického náradia. Hodí sa aj na predbežné posúdenie kmitavého namáhania.

Uvedená úroveň vibrácií reprezentuje hlavné aplikácie elektrického náradia. Ak sa však elektrické náradie používa pre iné aplikácie, s odlišnými vloženými nástrojmi alebo s nedostatočnou údržbou, môže sa úroveň vibrácií líšiť. Toto môže kmitavé namáhanie v priebehu celej pracovnej doby podstatne zvýšiť.

Pre presný odhad kmitavého namáhania by sa mali tiež zohľadniť doby, v ktorých je náradie vypnuté alebo je síce v chode, ale v skutočnosti sa nepoužíva. Toto môže kmitavé namáhanie v priebehu celej pracovnej doby zreteľne redukovať.

Stanovte dodatočné bezpečnostné opatrenia pre ochranu obsluhy pred účinkami vibrácií, ako napríklad: údržba elektrického náradia a vložených nástrojov, udržiavanie teploty rúk, organizácia pracovných postupov.

VAROVANIE! Prečítajte si všetky výstražné upozornenia, pokyny, znázornenia a špecifikácie pre toto elektrické náradie. Zanedbanie pri dodržiavaní výstražných upozornení a pokynov uvedených v nasledujúcom texte môže mať za následok zásah elektrickým prúdom, spôsobíť požiar a/alebo ťažké poranenie. Tieto výstražné upozornenia a bezpečnostné pokyny starostlivo uschovajte na budúce použitie.

BEZPEČNOSTNÉ POKYNY PRE DIEROVACIE PÍLY

Pri realizovaní prác, pri ktorých nástroj môže naraziť na skryté elektrické vedenia, držte prístroj za izolované prídržovacie plochy. Kontakt rezného nástroja s vedením pod napätím môže viesť k prenosu napätia na kovové časti prístroja a k úrazu elektrickým prúdom.

K upevneniu obrábaného dielu na stabilnom podklade použite skrútkovú zvierku alebo inú praktickú pomôcku. Prídržovaním obrábaného dielu rukou alebo jeho pričlňovaním telom sa dielec môže vyšmyknúť a tým môže dôjsť k strate kontroly.

Používajte ochranu sluchu. Pôsobenie hluku môže spôsobiť stratu sluchu.

ĎALŠIE BEZPEČNOSTNÉ A PRACOVNÉ POKYNY

Použite ochranné vybavenie. Pri práci s elektrickým náradím používajte vždy ochranné okuliare. Doporučujeme taktiež použiť súčasti ochranného odevu a ochrannej obuvi, ako sú protiprašná maska, ochranné rukavice, pevná a nekľajúca obuv, ochranná prilba a ochrana sluchu.

Prach vznikajúci pri práci môže byť škodlivý zdraviu. Pri práci nosiť vhodnú ochrannú masku, aby sa nedostal do ľudského organizmu.

Nesmú sa opracovávať materiály, ktoré môžu spôsobiť ohrozenie zdravia (napr. azbest)

Pri zablokovaní nasadeného nástroja prístroj okamžite vypnite! Prístroj nezapínajte, pokiaľ je nasadený nástroj zablokovaný; mohol by pri tom vzniknúť spätný náraz s vysokým reakčným momentom. Príčinu zablokovania nasadeného nástroja zistite a odstráňte so zohľadnením bezpečnostných pokynov.

Možnými príčinami môžu byť:

- spríečenie v opracovávanom obrobku
- prelomenie opracovávaného materiálu
- preťaženie elektrického prístroja

Nezasahujte do bežiaceho stroja.

Nasadený nástroj sa počas používania môže rozhorúčiť.

POZOR! Nebezpečenstvo popálenia

- pri výmene nástroja
- pri odkladaní prístroja

Triesky alebo úlomky sa nesmú odstraňovať za chodu stroja.

Pri práci v stene, strope alebo v podlahe dávajte pozor na elektrické káble, plynové a vodovodné potrubia.

Obrobok zabezpečte upinacím zariadením. Nezabezpečené obrobky môžu spôsobiť ťažké poranenia a poškodenia.

Popraskané pilové listy alebo také, ktoré zmenili tvar, nesmú sa použiť.

Ponorné pilenie je možné len v mäkkých materiáloch (drevo, ľahké stavebné materiály pre steny), v tvrdších materiáloch (kovy) sa musí vyvrtat najprv diera odpovedajúca veľkosti pilového listu.

Pred každou prácou na stroji výmenný akumulátor vytiahnuť.

Opotrebované výmenné akumulátory nezahadzujte do ohňa alebo medzi domový odpad. Milwaukeé ponúka likvidáciu starých výmenných akumulátorov, ktorá je v súlade s ochranou životného prostredia; informujte sa u Vašho predajcu.

Výmenné akumulátory neskladovať spolu s kovovými predmetmi (nebezpečenstvo skratu).

Do zasúvacieho otvoru pre výmenné akumulátory na nabíjacom zariadení, sa nesmú dostať žiadne kovové predmety (nebezpečenstvo skratu).

Výmenné akumulátory systému M18 nabíjať len nabíjacími zariadeniami systému M18. Akumulátory iných systémov týmto zariadením nenabíjať.

Výmenné akumulátory a nabíjacie zariadenia neovráť a skladovať len v suchých priestoroch. Chrániť pred vlhkosťou.

Pri extrémnych záťažiacich alebo extrémnych teplotách môže dôjsť k vytekaniu batériovej tekutiny z poškodeného výmenného akumulátora. Ak dôjde ku kontaktu pokožky s roztokom, postihnúť miesto umýť vodou a mydlom. Ak sa roztok dostane do očí, okamžite ich dôkladne vypláchnuť po dobu min. 10 min a bezodkladne vyhľadať lekára.

Varovanie! Aby ste zabránili nebezpečenstvu požiaru spôsobeného skratom, poraneniam alebo poškodeniam výrobku, neponárajte náradie, výmenný akumulátor alebo nabíjačku do kvapalín a postarajte sa o to, aby do zariadení a akumulátorov nevnikli žiadne tekutiny. Korodujúce alebo vodivé kvapaliny, ako je slaná voda, určité chemikálie a bieliace prostriedky alebo výrobky, ktoré obsahujú bieliadlo, môžu spôsobiť skrat.

POUŽITIE PODĽA PREDPISOV

Kritická píla pilie drevo, plast a kov. Vyrezáva priamky, úkosy, krivky a vnútorné vyrezy.

Tento prístroj sa smie používať len v súlade s uvedenými predpismi.

CE - VYHLÁSENIE KONFORMITY

Výhradne na vlastnú zodpovednosť vyhlasujeme, že výrobok popísaný v "Technických údajoch" sa zhoduje so všetkými relevantnými predpismi smernice 2011/65/EU (RoHS), 2014/30/EU, 2006/42/EC a nasledujúcimi harmonizujúcimi normatívnymi dokumentmi:

EN 62841-1:2015
EN 62841-2:11:2016
EN 55014-1:2017
EN 55014-2:2015
EN 50581:2012

Winnenden, 2018-03-31

Alexander Krug
Managing Director

Splnomocnený zostaviť technické podklady.

Techtronic Industries GmbH
Max-Eyth-Straße 10
71364 Winnenden
Germany



OCHRANA MOTORA PRED PRETÄŽENÍM

Pri vysokom preťažení motora sa aktivuje motorový istič. K pokračovaniu v práci stroj vypnite a opäť zapnite.

JEMNÝ NÁBEH

Elektronický jemný nábeh pre bezpečné ovládanie zabráňuje trhavému nábehu stroja pri zapnutí.

AKUMULÁTORY

Dlhší čas nepoužívané výmenné akumulátory pred použitím dobíť.

Teplota vyššia ako 50°C znižuje výkon výmenného akumulátora. Zabráňte dlhšiemu ohriatiu slnkom alebo kúrením.

Prípájacie kontakty na nabíjacom zariadení a výmennom akumulátore udržiavať čisté. Pre optimálnu životnosť je nutné akumulátory po použití plne dobíť.

K zabezpečeniu dlhej životnosti by sa akumulátory mali po nabití vybrať z nabíjačky.

Pri skladovaní akumulátora po dobu dlhšiu než 30 dní:

- Skladujte akumulátor v suchu pri cca 27°C.
- Skladujte akumulátor pri cca 30%-50% nabíjacej kapacity.
- Opakujte nabíjanie akumulátora každých 6 mesiacov.

OCHRANA PROTI PRETÄŽENIU AKUMULÁTORA

Akumulátorová sada je vybavená ochranou proti preťaženiu, ktorá ju chráni a zaručuje jej dlhú životnosť.

Pri extrémnom zaťažení elektronika akumulátora elektrický nástroj vypne. K pokračovaniu v práci nástroj vypnite a opäť zapnite. V prípade, že sa motor nástroja ani potom nerozbehne, je akumulátorová sada pravdepodobne vybitá a musí sa v nabíjačke opäť nabiť.

PREPRAVA LÍTOVO-IÓNOVÝCH BATÉRIÍ

Lítovo-iónové batérie podľa zákonných ustanovení spadajú pod prepravu nebezpečného nákladu.

Preprava týchto batérií sa musí realizovať s dodržiavaním lokálnych, vnútroštátnych a medzinárodných predpisov a ustanovení.

- Spotrebiteľia môžu tieto batérie bez problémov prepravovať po cestách.
- Komerčná preprava lítovo-iónových batérií prostredníctvom špedičných firmiem podlieha ustanoveniam o preprave nebezpečného nákladu. Prípravu k vyxpedovaní a samotnú prepravu smú vykonávať iba adekvátne vyškolené osoby. Na celý proces sa musí odborné dohliadať.

Pri preprave batérií treba dodržiavať nasledovné:

- Zabezpečte, aby boli kontakty chránené a izolované, aby sa zamedzilo skratom.
- Dávajte pozor na to, aby sa zväzok batérií v rámci balenia nemohol zošmyknúť.
- Poškodené a vytečené batérie sa nesmú prepravovať.

Kvôli ďalším informáciám sa obráťte na vašu špedičnú firmu.

ÚDRZBA

Vetračie otvory udržiavať stále v čistote.

Používať len Milwaukee príslušenstvo a náhradné diely. Súčiastky bez návodu na výmenu treba dať vymeniť v jednom z Milwaukee zákaznických centier (viď brožúru Záruka/Adresa zákaznických centier).

Pri udaní typu stroja a čísla nachádzajúceho sa na štítku dá sa v prípade potreby vyžadovať explozívna schéma prístroja od vášho zákaznického centra alebo priamo v Techtronic Industries GmbH, Max-Eyth-Straße 10, 71364 Winnenden, Germany.

SYMBOLY



POZOR! NEBEZPEČENSTVO!



Pred každou prácou na stroji výmenný akumulátor vytiahnuť.



Pred prvým použitím prístroja si pozorne prečítajte návod na obsluhu.



Pri práci so strojom vždy nosíte ochranné okuliare.



Používajte ochranné rukavice!



Používajte ochranu sluchu!



Príslušenstvo - nie je súčasťou štandardnej výbavy, odporúčané doplnenie z programu príslušenstva.



Elektrické zariadenia, batérie/akumulátory sa nesmú likvidovať spolu s odpadom z domácnosti. Elektrické zariadenia, batérie/akumulátory treba zbierať oddelene a odovzdať ich v recyklačnom podniku na ekologickú likvidáciu. Na miestnych úradoch alebo u vášho špecializovaného predajcu sa spýtajte na recyklačné podniky a zberné dvory.



Počet zdvihov naprázdno



Napätie



Jednosmerný prúd



Značka zhody v Európe



Značka zhody na Ukrajine



Značka zhody pre oblasť Eurázie

DANE TECHNICZNE	WYRZYNARKA AKUMULATOROWA	M18 FJS
Numer produkcyjny.....		4692 59 01... ...000001-999999
Napięcie baterii akumulatorowej.....		18 V
Skok bez obciążenia		0-3500 min ⁻¹ (+/- 10%)
Długość skoku		25 mm
Cięcie ukośne, do		45°
Maksymalna głębokość cięcia		
Drewno		100 mm
Aluminium		19 mm
Stal		10 mm
Cieżar wg procedury EPTA 01/2014 (2,0 Ah - 12,0 Ah).....		2,63 - 3,69 kg
Zalecana temperatura otoczenia w trakcie pracy		-18...+50 °C
Zalecane rodzaje akumulatora		M18B2... M18B9, M18HB12
Zalecane ładowarki.....		M12-18 ... ; M1418C6

Informacja dotycząca szumów/wibracji

Zmierzone wartości wyznaczone zgodnie z normą EN 62841.	
Poziom szumów urządzenia oszacowany jako A wynosi typowo:	
Poziom ciśnienia akustycznego (Niepewność K=3dB(A)).....	88,68 dB (A)
Poziom mocy akustycznej (Niepewność K=3dB(A)).....	99,68 dB (A)

Należy używać ochroniaczy uszu!

Wartości łączne drgań (suma wektorowa trzech kierunków) wyznaczone zgodnie z normą EN 62841

Piłowanie drewna *1	
Wartość emisji drgań a.....	21,25 m/s ²
Niepewność K=.....	1,5 m/s ²
Ciecie blachy stalowej *2	
Wartość emisji drgań a.....	17,34 m/s ²
Niepewność K=.....	1,5 m/s ²

*1 z brzeszczotem piły BIM, wymiary 100 x 7,5 x 1,0 mm i podziałka piły 2,5 mm

*2 z brzeszczotem piły BIM, wymiary 75 x 7,5 x 1,0 i podziałka piły 1,8 mm

OSTRZEŻENIE

Podany w niniejszych instrukcjach poziom drgań został zmierzony za pomocą metody pomiarowej zgodnej z normą EN 62841 i może być użyty do porównania ze sobą elektronarzędzi. Nadaje się on również do tymczasowej oceny obciążenia wibracyjnego.

Podany poziom drgań reprezentuje główne zastosowania elektronarzędzia. Jeśli jednakże elektronarzędzie użyte zostanie do innych celów z innym narzędziami roboczymi lub nie jest dostatecznie konserwowane, wtedy poziom drgań może wykazywać odchylenia. Może to wyraźnie zwiększyć obciążenie wibracji przez cały okres pracy.

Dla dokładnego określenia obciążenia wibracjami należy uwzględnić również czasy, w których urządzenie jest wyłączone względnie jest włączone, lecz w rzeczywistości nie pracuje. Może to spowodować wyraźną redukcję obciążenia wibracyjnego w całym okresie pracy.

Należy wprowadzić dodatkowe środki zapobiegawcze celem ochrony obsługującego przed oddziaływaniem drgań, jak na przykład: konserwacja narzędzi roboczych i elektronarzędzi, nagrzanie rąk, organizacja przebiegu pracy.

▲ OSTRZEŻENIE! Należy przeczytać wszystkie wskazówki bezpieczeństwa, instrukcje, opisy i specyfikacje dotyczące tego elektronarzędzia. Zaniedbania w przestrzeganiu poniższych wskazówek mogą spowodować porażenie prądem, pożar i/lub ciężkie obrażenia ciała.
Należy starannie przechowywać wszystkie przepisy i wskazówki bezpieczeństwa dla dalszego zastosowania.

▲ WSKAZÓWKI DOTYCZĄCE BEZPIECZEŃSTWA DLA OTWORNIC

Trzymaj urządzenie za izolowane powierzchnie chwytne gdy wykonujesz roboty, w trakcie których narzędzie skrawające może natrafić na ukryte przewody prądowe.

Styczność narzędzia skrawającego z będącym pod napięciem przewodem może spowodować podłączenie części metalowych urządzenia do napięcia i prowadzić do porażenia prądem elektrycznym.

Użyć szrubowego ścisku stołarskiego lub innego praktycznego przyrządu, aby zamocować obrabiany przedmiot do stabilnej podstawy. Na skutek trzymania obrabianego przedmiotu w ręce lub dociskania go własnym ciałem obrabiany przedmiot może się wysunąć, co może prowadzić do utraty kontroli nad nim.

Stosować środki ochrony słuchu! Narażenie na hałas może spowodować utratę słuchu.

DODATKOWE WSKAZÓWKI BEZPIECZEŃSTWA I INSTRUKCJE ROBOCZE

Stosować wyposażenie ochronne. Przy pracy maszyną zawsze nosić okulary ochronne. Zalecana jest odzież ochronna, jak maska pyłochronna, rękawice ochronne, mocne i chroniące przed poślizgiem obuwie, kask i ochronnik słuchu.

Kurz powstający przy pracy z tym elektronarzędziem może być szkodliwy dla zdrowia, w związku z tym nie powinien dotrzeć do ciała. Nosić odpowiednią maskę przeciwpyłową.

Nie wolno obrabiać materiałów, które mogą być przyczyną zagrożenia zdrowia (na przykład azbestu).

W przypadku zablokowania narzędzia nasazanego należy natychmiast wyłączyć urządzenie! Nie należy ponownie włączyć urządzenia tak długo, jak długo narzędzie nasadzone jest zablokowane; przy tym mógłby powstać odrzut zwrotny o dużej momencie reakcyjnym. Należy wykryć i usunąć przyczynę zablokowania narzędzia nasazanego uwzględniając wskazówki dotyczące bezpieczeństwa.

Możliwymi przyczynami tego mogą być:

- Skośne ustawienie się w poddawany obróbcę przedmiocie obrabianym
- Przerwanie materiału poddawanego obróbcę
- Przebiegnięcie narzędzia elektrycznego

akumulatorów nie dostały się żadne ciecz. Zwarcie spowodować mogą korodujące lub przewodzące ciecz, takie jak woda morska, określone chemikalia i wybielacze lub produkty zawierające wybielacze.

WARUNKI UŻYTKOWANIA

Piła wyrzynarka tnie drewno, tworzywa sztuczne oraz metal. Wycina linie proste, krzywe, otwory wewnętrzne oraz tnie skośnie.

Produkt można użytkować wyłącznie zgodnie z jego normalnym przeznaczeniem.

DEKLARACJA ZGODNOŚCI CE

Oświadczamy na naszą wyłączną odpowiedzialność, że produkt opisany w punkcie "Dane techniczne" jest zgodny ze wszystkimi istotnymi przepisami Dyrektywy 2011/65/EU (RoHS), 2014/30/UE, 2006/42/WE oraz z następującymi zharmonizowanymi dokumentami normatywnymi:

EN 62841-1:2015
EN 62841-2-11:2016
EN 65014-1:2017
EN 65014-2:2015
EN 60581:2012

Winnenden, 2018-03-31

Alexander Krug
Managing Director

Upełnomocniony do zestawienia danych technicznych
Techtronic Industries GmbH
Max-Eyth-Straße 10
71364 Winnenden
Germany



OCHRONA SILNIKA W ZALEŻNOŚCI OD OBciążENIA

Przy wysokim obciążeniu silnika aktywuje się ochrona przeciążeniowa. W celu kontynuacji pracy wyłączyć i ponownie włączyć maszynę.

LAGODNEGO ROZRUCHU

Bezpieczna obsługa dzięki elektronicznej funkcji łagodnego rozruchu zapobiegająca szarpnięciom.

BATERIE AKUMULATOROWE

Akumulatory, które nie były przez dłuższy czas użytkowane, należy przed użyciem naładować.

W temperaturze powyżej 50°C następuje spadek osiągniętych wkladki akumulatorowej. Unikaj długotrwałego wystawienia na oddziaływanie ciepła lub promieni słonecznych (niebezpieczeństwo przegrzania).

Styki ładowarek i wkładek akumulatorowych należy utrzymywać w czystości. Dla zapewnienia optymalnej żywotności akumulatora po użyciu należy naładować do pełnej pojemności.

Dla zapewnienia możliwie długiej żywotności akumulatory należy wyjąć z ładowarki po ich naładowaniu.

W przypadku składowania akumulatorów dłużej niż 30 dni:

Przechowywać je w suchym miejscu w temperaturze ok. 27°C.

Przechowywać je w stanie naładowanym do ok. 30% - 50%.

Ładować je ponownie co 6 miesięcy.

ZABEZPIECZENIE PRZECIĄŻENIOWE AKUMULATORA

Pakiety akumulatorowy jest wyposażony w zabezpieczenie przed przeciążeniem, które chroni akumulator przed przeciążeniem i zapewnia jego dużą żywotność. Przy ekstremalnie silnym narażeniu elektronika akumulatora automatycznie wyłącza maszynę. Aby kontynuować pracę należy wyłączyć i ponownie włączyć maszynę. Jeżeli nie nastąpiły ponowny rozruch maszyny, to możliwe, że pakiet akumulatorowy jest wyladowany i musi zostać ponownie naładowany w ładowarce.

TRANSPORT AKUMULATORÓW LITOWO-JONOWYCH

Akumulatory litowo-jonowe podlegają ustawowemu przepisom dotyczącym transportu towarów niebezpiecznych.

Transport tych akumulatorów winien odbywać się przy przestrzeganiu lokalnych, krajowych i międzynarodowych rozporządzeń i przepisów.

- Odbiorcom nie wolno transportować tych akumulatorów po drogach ot tak po prostu.
- Komercyjne transport akumulatorów litowo-jonowych przez przedsiębiorstwa spedycyjne podlega przepisom dotyczącym transportu towarów niebezpiecznych. Przygotowania do wysyłki oraz transport mogą być wykonywane wyłącznie przez odpowiednio przeszkolone osoby. Cały proces winien odbywać się pod fachowym nadzorem.

W czasie transportu akumulatorów należy przestrzegać następujących punktów:

- Celem uniknięcia zwarć należy upewnić się, że zestyki są zabezpieczone i zaizolowane.
- Zwracać uwagę na to, aby zespół akumulatorów nie mógł się przemieszczać we wnętrzu opakowania.
- Nie wolno transportować akumulatorów uszkodzonych lub z wyciekającym z elektrolitem.

Odnośnie dalszych wskazaówek należy zwrócić się do swojego przedsiębiorstwa spedycyjnego.

UTRYMANIE I KONSERWACJA

Otwory wentylacyjne elektronarzędzia muszą być zawsze drożne.

Należy stosować wyłącznie wyposażenie dodatkowe i części zamienne Milwaukee. W przypadku konieczności wymiany części, dla których nie podano opisu, należy skontaktować się z przedstawicielami serwisu Milwaukee (patrz lista punktów obsługi gwarancyjnej/serwisowej).

Na życzenie można otrzymać rysunek widoku zespołu rozebranego. Przy zamawianiu należy podać numer oraz typ elektronarzędzia umieszczony na tabliczce znamionowej. Zamówienia można dokonać albo u lokalnych przedstawicieli serwisu, albo bezpośrednio w Techtronic Industries GmbH, Max-Eyth-Straße 10, 71364 Winnenden, Germany.

SYMBOLE



UWAGA! OSTRZEŻENIE NIEBEZPIECZEŃSTWO!



Przed przystąpieniem do jakichkolwiek prac na elektronarzędziu należy wyjąć wkładkę akumulatorową.



Przed uruchomieniem elektronarzędzia zapoznać się uważnie z treścią instrukcji.



Podczas pracy należy zawsze nosić okulary ochronne.



Nosić rękawice ochronne!



Należy używać ochroniaczy uszu!



Wyposażenie dodatkowe dostępne osobno.



Urządzenia elektryczne, baterie/akumulatory nie mogą być usuwane razem z odpadami pochodzącymi z gospodarstw domowych. Urządzenia elektryczne i akumulatory należy gromadzić oddzielnie i w celu usuwania ich do odpadów zgodnie z wymaganiami środowiska naturalnego oddawać do przedsiębiorstwa utylizacyjnego. Proszę zasięgnąć informacji o centrach recyklingowych i punktach zbiorczych w wład lokalnych lub u wyspecjalizowanego dostawcy.



Skok bez obciążenia



Napięcie



Prąd stały



Europejski Certyfikat Zgodności



Ukraiński Certyfikat Zgodności



Euroazjatycki Certyfikat Zgodności

MŰSZAKI ADATOK	AKKUMULÁTORS SZÚRÓFŰRÉSZGÉP	M18 FJS
Gyártási szám.....	4692 59 01.....	..000001-999999
Akkumulátor feszültség	18 V	
Üresjáratú löketség.....	0-3500 min ⁻¹ (+/- 10%)	
Lökethossz	25 mm	
Ferdevégás.....	45°	
Vágásmélység max.:		
Fa	100 mm	
Alumínium	19 mm	
Acél	10 mm	
Súly a 01/2014 EPTA-eljárás szerint,(2,0 Ah - 12,0 Ah).....	2,63 - 3,69 kg	
Ajánlott környezeti hőmérséklet munkavégzésnél.....	-18...+50 °C	
Ajánlott akkumulások.....	M18B2... M18B9, M18HB12	
Ajánlott töltőkészülékek.....	M12-18 ... ; M1418C6	

Zaj-/Vibráció-információ

A közölt értékek megfelelnek az EN 62841 szabványnak.

A készülék munkahelyi zajszintje tipikusan:

Hangnyomás szint (K bizonytalanság=3dB(A))..... 88,68 dB (A)

Hangteljesítmény szint (K bizonytalanság=3dB(A))..... 99,68 dB (A)

Hallásvédő eszköz használata ajánlott!

Összesített rezgésértékek (három irány vektorális összege) az EN 62841-nek megfelelően meghatározva.

Fa fűrészelése *1

a. rezgésemisszió érték.....	21,25 m/s²
K bizonytalanság.....	1,5 m/s²

Fémlemez fűrészelése *2

a. rezgésemisszió érték.....	17,34 m/s²
K bizonytalanság.....	1,5 m/s²

*1 BIM fűrészlappal, méret: 100 x 7,5 x 1,0 mm és 2,5 mm-es fogosztás

*2 BIM fűrészlappal, méret: 75 x 7,5 x 1,0 és 1,8 mm-es fogosztás

FIGYELMEZTETÉS

A jelen utasításokban megadott rezgésszint értéke az EN 62841-ben szabályozott mérési eljárásnak megfelelően került leírásra, és használható elektromos szerszámokkal történő összehasonlításhoz. Az érték alkalmas a rezgésterhelés előzetes megbecslésére is.

A megadott rezgésszint-érték az elektromos szerszám legfőbb alkalmazásait reprezentálja. Ha az elektromos szerszámot azonban más alkalmazásokhoz, eltérő használt szerszámokkal vagy nem elegendő karbantartással használják, a rezgésszint értéke eltérő lehet. Ez jelentősen megnövelheti a rezgésterhelést a munkavégzés teljes időtartama alatt.

A rezgésterhelés pontos megbecsléséhez azokat az időket is figyelembe kell venni, melyekben a készülék lekapcsolódik, vagy ugyan működik, azonban ténylegesen nincs használatban. Ez jelentősen csökkentheti a rezgésterhelést a munkavégzés teljes időtartama alatt.

Határozzon meg további biztonsági intézkedéseket a kezelő védelmére a rezgések hatása ellen, például: az elektromos és a használt szerszámok karbantartásával, a kezek melegen tartásával, a munkafolyamatok megszervezésével.

▲ FIGYELMEZTETÉS! Olvassa el az elektromos kéziszerszámra vonatkozó összes biztonsági útmutatást, utasítást, ábrát és specifikációt.

A következőkben leírt utasítások betartásának elmulasztása áramütésekhez, tűzhöz és/vagy súlyos testi sérülésekhez vezethet.

Kérjük a későbbi használatra gondosan őrizze meg ezeket az előírásokat.

▲ SZÚRÓFŰRÉSZEKRE VONATKOZÓ BIZTONSÁGI ÚTMUTATÁSOK

A készüléket a szigetelt markolatfelületeket fogva tartsa, ha olyan munkálatokat végez, melyeknél a vágószerszám rejtett elektromos vezetékékkbe.

A vágószerszám feszültségvezető vezetékkel való érintkezésekor a készülék fém részei is feszültség alá kerülhetnek, és elektromos áramütés következhet be.

A munkadarab stabil alijathoz rögzítéséhez használjon csavaros szorítókat vagy más praktikus segédeszközöket. A munkadarab kézzel történő megtartásával vagy testtel történő ellentartása következtében a munkadarab elcsúszhat, és ez a kontroll elvesztéséhez vezethet.

Viseljen hallásvédőt. A zajhatás a hallás elvesztését eredményezheti.

TOVÁBBI BIZTONSÁGI ÉS MUNKAVÉGZÉSI UTASÍTÁSOK

Használjon védőfelszerelést! Ha a gépen dolgozik, mindig hordjon védőszemüveget! Javasoljuk a védőruházat, úgymint porvédő maszk, védőcipő, erős és csúszásbiztos lábbeli, sisak és hallásvédő használatát.

A munka során keletkező por gyakran egészségre káros, ezért ne kerüljön a szemezetbe

Hordjon e célra alkalmas porvédőmaszkot.

Nem szabad olyan anyagokat megmunkálni, amelyek egészségre veszélyesek (pl. azbeszket).

A betétszerszám elakadásakor azonnal ki kell kapcsolni a készüléket! Addig ne kapcsolja vissza a készüléket, amíg a betétszerszám elakadása fennáll; ennek során nagy ellennyomatóki visszarúgás történhet. Határozza és szüntesse meg a betétszerszám elakadásának okát a biztonsági útmutatások betartása mellett.

Ennek következők lehetnek az okai:

- a szerszám elakad a megmunkálandó munkadarabban
- a megmunkálandó anyag átszakadt
- az elektromos szerszám túlterhelése

bizonyos vegyi anyagok, fehértők vagy fehérítő tartalmú termékek, rövidzárlatot okozhatnak.

RENDELTETÉSSZERŰ HASZNÁLAT

A szűrőfűrész fa, műanyag és fém megmunkálására alkalmas. A készülékkel egyenes, ferde, görbe és belső kivágások készíthetők.

A készüléket kizárólag az alábbiakban leírtaknak megfelelően szabad használni.

CE-AZONOSSÁGI NYILATKOZAT

Egyedüli felelősséggel kijelentjük, hogy a "Műszaki Adatok" alatt leírt termék a 2011/65/EU (RoHS), 2014/30/EU, 2006/42/EK irányelvek minden releváns előírásának, ill. az alábbi harmonizált normatív dokumentumoknak megfelel:

EN 62841-1:2015
EN 62841-2-11:2016
EN 55014-1:2017
EN 55014-2:2015
EN 50581:2012

Winnenden, 2018-03-31

	
Alexander Krug Managing Director	
Műszaki dokumentáció összeállításra felhatalmazva	
Technronic Industries GmbH Max-Eyth-Straße 10 71364 Winnenden Germany	

TERHELTŐL FÜGGŐ MOTORVÉDŐ

A motor nagyfokú túlterhelése esetén kiold a túlterhelés-védő. A munkavégzés folytatásához a gépet ki és újból be kell kapcsolni.

LÁGYINDÍTÁS

Elektronikus lágyindítás a biztonságos használat érdekében; megelőzi a gép lökészerű felúfútasát.

AKKUK

A hosszabb ideig üzemben kívül lévő akkumulátort használat előtt ismétellen fel kell tölteni.

50°C feletti hőmérsékletnél csökkenhet az akkumulátor teljesítménye. Kerülni kell a túlzottan meleg helyen vagy napon történő hosszabb idejű tárolást.

A töltő és az akkumulátor csatlakozóit mindig tisztán kell tartani.

Az optimális élettartam érdekében használat után az akkukat teljesen fel kell tölteni.

A lehetőleg hosszú élettartamhoz az akkukat feltöltés után ki kell venni a töltőkészlekből.

Az akku 30 napot meghaladó tárolása esetén:

Az akkut kb. 27 °C-on, száraz helyen kell tárolni.

Az akkut kb. 30-50%-os töltöttségi állapotban kell tárolni.

Az akkut 6 havonta újra fel kell tölteni.

AZ AKKUMULÁTOR TÚLTERHELÉS ELLENI VÉDELME

Az akkusomag olyan túlterhelés elleni védelemmel rendelkezik, mely védi az akkut a túlterhelés ellen, és hosszú élettartamot biztosít.

Rendkívül erős igénybevétel esetén az akkuelektronika automatikusan lekapcsolja a gépet. A további munkavégzéshez a gépet ki-, majd ismét be kell kapcsolni. Ha a gép nem indul el ismét, akkor lehetséges, hogy az akkusomag lemerült és azt újból fel kell tölteni a töltőben.

LÍTIUM-ION AKKUK SZÁLLÍTÁSA

A lítium-ion akkuk a veszélyes áruk szállítására vonatkozó törvényi rendelkezések hatálya alá tartoznak.

Az ilyen akkuk szállításának a helyi, országos és nemzetközi előírások és rendelkezések betartása mellett kell történnie.

- A fogyasztók minden további nélkül szállíthatják az ilyen akkukat közúton.
- A lítium-ion akkuk szállítmányozási vállalatok általi kereskedelmi célú szállítására a veszélyes áruk szállítására vonatkozó rendelkezések érvényesek. A kiszállítás előkészítését és a szállítást kizárólag megfelelő képzétségű személyek végezhetik. A teljes folyamatnak szakmai felügyelet alatt kell történnie.

A következő pontokat kell figyelembe venni akkuk szállításakor:

- Biztosítsa, hogy a rövidzárlatok elkerülése érdekében az érintezők védve és szigetelve legyenek.
- Ügyeljen arra, hogy az akkusomag ne tudjon elcsúszni a csomagoláson belül.
- Tilos sérült vagy kifolyt akkukat szállítani.

További útmutatásokért forduljon szállítmányozási vállalatához.















KARBANTARTÁS

A készülék szellőzőnyílásait mindig tisztán kell tartani.

Javításhoz, karbantartáshoz kizárólag Milwaukee alkatrészeket és tartozékokat szabad használni. A készülék azon részeinek cseréjét, amit a kezelési útmutató nem engedélyez, kizárólag a javításra feljogosított márkaszerviz végezheti. (Lásd a szervizlistát)

Szükség esetén a készülékek robbantott ábrájt - a készülék típusa és azonosító száma alapján a területileg illetékes Milwaukee márkaszerviztől vagy közvetlenül a gyártótól (Technronic Industries GmbH, Max-Eyth-Straße 10, 71364 Winnenden, Germany) lehet kérni.

SZIMBÓLUMOK

	FIGYELEM! FIGYELMEZTETÉS! VESZÉLY!
	Karbantartás, javítás, tisztítás, stb. előtt az akkumulátort ki kell venni a készülékből.
	Kérjük alaposan olvassa el a tájékoztatót mielőtt a gépet használja.
	Munkavégzés közben ajánlatos védőszemüveget viselni.
	Hordjon védőkesztyűt!
	Hallásvédő eszköz használata ajánlott!
	Azokat a tartozékokat, amelyek gyárilag nincsenek a készülékhez mellékelve, külön leírt megrendíteni.
	Az elektromos eszközöket, elemeket/akkukat nem szabad a háztartási hulladékkal együtt ártalmatlanítani. Az elektromos eszközök és akkukat szelektíven kell gyűjteni, és azokat környezetbarát ártalmatlanítás céljából hulladékhasznosító üzemben kell leadni. A helyi hatóságoknál vagy szakkereskedőjénél tájékozódjon a hulladékvadarakóról és gyűjtőhelyekről.
	Üresjáratú löketség
	Feszültség
	Egyenáram
	Európai megfelelőségi jelölés
	Ukrán megfelelőségi jelölés
	Eurázsiai megfelelőségi jelölés

TEHNIČNI PODATKI	BATERIJSKE VBDNE ŽAGE	M18 FJS
Proizvodna številka.....	4692 59 01... ...000001-999999	
Napetost izmenljivega akumulatorja.....	18 V	
Število dvigov v prostem teku.....	0-3500 min ⁻¹ (+/- 10%)	
Višina dviga.....	25 mm	
Poševni rezi do.....	45°	
Globina reza maks. v:		
Les.....	100 mm	
Aluminij.....	19 mm	
Jeklo.....	10 mm	
Teža po EPTA-proceduri 01/2014 (2,0 Ah - 12,0 Ah).....	2,63 - 3,69 kg	
Priporočena temperatura okolice pri delu.....	-18...+50 °C	
Priporočene vrste akumulatorskih baterij.....	M18B2... M18B9, M18HB12	
Priporočeni polnilniki.....	M12-18... ; M1418C6	

Informacije o hrupnosti/vibracijah

Vrednosti merjenja ugotovljene ustrežno z EN 62841.

Raven hrupnosti naprave ovrednotena z A, znaša tipično:

Nivo zvočnega tlaka (Nevarnost K=3dB(A))..... 88,68 dB (A)

Višina zvočnega tlaka (Nevarnost K=3dB(A))..... 99,68 dB (A)

Nosite zaščito za sluh!

Skupna vibracijska vrednost (Vektorska vsota treh smeri) določena ustrežno EN 62841.

Zaganje lesa *1

Vibracijska vrednost emisij a_w..... 21,25 m/s²

Nevarnost K=..... 1,5 m/s²

Zaganje pločevine iz kovin *2

Vibracijska vrednost emisij a_w..... 17,34 m/s²

Nevarnost K=..... 1,5 m/s²

*1 z žaginim listom BIM, velikost 100 x 7,5 x 1,0 mm ter razporeditvijo zob 2,5 mm

*2 z žaginim listom BIM, velikost 75 x 7,5 x 1,0 ter razporeditvijo zob 1,8 mm

OPOZORILO

V teh navodilih navedena raven tresljajev je bila izmerjena po EN 62841 normiranem merilnem postopku in lahko služi medsebojni primerjavi električnih orodij. Prav tako je primeren za predhodno oceno obremenitve s tresljaji.

Navedena raven tresljajev navaja najpomembnejše vrste rabe električnega orodja. Kadar se električno orodje uporablja za drugačne namene, z odstopajočimi orodji ali pa z nezadostnim vzdrževanjem, lahko raven tresljajev tudi odstopa. Le to lahko čez celoten delovni čas znatno zviša obremenitev s tresenjem.

Za natančno oceno obremenitve s tresljaji naj bi se upošteval tudi čas v katerem je naprava izklopljena ali sicer teče, vendar dejansko ni v rabi. Le to lahko obremenitev s tresljaji čez celoten delovni čas znatno zmanjša.

Za zaščito upravljalca pred učinkom tresljajev uvedite dodatne zaščitne ukrepe npr.: Vzdrževanje električnega orodja in orodja, delo s toplimi rokami, organizacija delovnih potekov.

⚠ OPOZORILO! Preberite vsa varnostna opozorila in navodila, prikaze in specifikacije tega električnega orodja. Zakasnelo upoštevanje sledečih navodil lahko povzroči električni udar, požar in/ali težke poškodbe.
Vsa opozorila in napotila shranite, ker jih boste v prihodnje še potrebovali.

⚠ VARNOSTNA OPOZORILO ZA VBDNE ŽAGE

Kadar izvajate dela pri katerih lahko orodje zadane prikrito električno napeljavno, je napravo potrebno držati za izolirane prijemalne površine.

Stik rezalnega orodja z napetostnim vodnikom napeljave lahko privede kovinske dele naprave pod napetost in vodi do električnega udara.

Za pritržitev obdelovanca na stabilno podlago uporabite primež ali druge praktične pripomočke. Pri držanju obdelovanca v roki ali pri pritiskanju s telesom ob obdelovanec, lahko le ta zdrsne, kar lahko privede do izgube nadzora.

Nosite zaščito za sluh. Razvijanje hrupa lahko povzroči izgubo sluha.

NADALJNA VARNOSTNA IN DELOVNA OPOZORILO

Uporabite zaščitno opremo. Pri delu s strojem vedno nosite zaščitna očala. Priporočajo se zaščitna oblačila, kot npr. maska za zaščito proti prahu, zaščitne rokavice, trdno in nedrseče obuvanje, čelada in zaščita za sluh.

Prah, ki nastaja pri delu, je pogosto zdravju škodljiv in naj ne zaide v telo. Nosite ustrezno masko proti prahu.

Obdelava materialov, iz katerih izhaja ogroženost zdravja (npr. azbest), ni dovoljena.

V primeru blokade orodja napravo takoj izklopite! Naprave ponovno ne vklopljajte dokler je orodje blokirano; pri tem bi lahko prišlo do povratnega udara z velikim reakcijskim momentom. Ugotovite in odpravite vzroke blokade orodja ob upoštevanju varnostnih navodil.

Možni razlogi so lahko:

- Zagozditve v obdelovancu
- prežganje obdelovanega materiala
- Preobremenitev električnega orodja

Ne segajte v stroj v teku.

Orodje lahko med uporabo postane vroče.

OPOZORILO! Nevarnost opeklin

- pri menjavi orodja
- pri odlaganju naprave

Trske ali iveri se pri tekočem stroju ne smejo odstranjevati.

CE-IZJAVA O KONFORMNOSTI

V lastni odgovornosti izjavljamo, da se pod "Tehnični podatki" opisan proizvod ujema z vsemi relevantnimi predpisi smernice 2011/65/EU (RoHS), 2014/30/EU, 2006/42/ES in s sledečimi harmoniziranimi normativnimi dokumenti:

EN 62841-1:2015
EN 62841-2-11:2016
EN 55014-1:2017
EN 55014-2:2015
EN 50581:2012

Winnenden, 2018-03-31

Alexander Krug

Alexander Krug
Managing Director

Pooblaščen za izdelavo spisov tehnične dokumentacije.

Techtronic Industries GmbH

Max-Eyth-Straße 10

71364 Winnenden

Germany



OD OBREMENTIVE ODVISNA ZAŠČITA MOTORJA

Pri visoki preobremenitvi motorja je spro-i preobremenitveno varovalo. Za nadaljnja dela s strojem ga je potrebno izklopiti in ponovno vklopiti.

RAHLI ZAGON

Elektronski rahli zagon za varno delovanje pri vklopu preprečuje sunkovit zagon stroja.

AKUMULATORJI

Izmenljive akumulatorje, ki jih daljši čas niste uporabljali, pred uporabo naknadno napolnite.

Temperatura nad 50°C zmanjšuje zmogljivost izmenljivega akumulatorja. Izogibajte se daljšemu segrevanju zaradi sončnih žarkov ali grelca.

Pazite, da ostanejo priključni kontakti na polnilnem aparatu in izmenljivem akumulatorju čisti.

za optimalno življenjsko dobo je potrebno akumulatorje po uporabi do konca napolniti. Za čim daljšo življenjsko dobo naj se akumulatorji po napolnitvi vzamejo ven iz naprave za polnjenje.

Pri skladiščenju akumulatorjev dalj kot 30 dni:

Akumulator skladiščiti pri 27°C in na suhem.

Akumulator skladiščiti pri 30%-50% stanja polnjenja.

Akumulator spet napolniti vsakih 6 mesecev.

ZAŠČITA PREOBREMENTIVE AKUMULATORJA

Komplet akumulatorja je opremljen s preobremenitveno zaščito, ki štiti akumulator pred preobremenitvijo in zagotavlja dolgo življenjsko dobo.

Pri ekstremno visokih obremenitvah elektronski akumulatorja stroj avtomatsko izklopi. Za nadaljnje delo stroj izklopimo in ponovno vklopimo. V kolikor stroj ponovno ne steče, je komplet akumulatorja morebiti izpraznjen in ga je v polnilcu potrebno ponovno napolniti.

TRANSPORT LITIJ-IONSkih AKUMULATORJEV

Litij-ionski akumulatorji so potrjeni zakonskim določbam transporta nevarnih snovi.

Transport teh akumulatorjev se mora izvajati upoštevaajoč lokalne, nacionalne in mednarodne predpise in določbe.

- Potrošniki lahko te akumulatorje še nadalje transportirajo po cesti.
- Komercialni transport litij-ionskih akumulatorjev s strani špediterskih podjetij je potrjen določbam transporta nevarnih snovi. Priprava odpreme in transporta se lahko vrši izključno s strani ustrezno izsolanih oseb. Celoten proces je potrebno strokovno spremljati.

Pri transportu akumulatorjev je potrebno upoštevati sledeče točke:

- V izogib kratkim stikom zagotovite, da bodo kontakti zaščiteni in izolirani.
- Bodite pozorni na to, da paket akumulatorja v notranjosti embalaže ne bo mogel zdrsniti.
- Poškodovanih ali iztekajočih akumulatorjev ni dovoljeno transportirati.

Za nadaljnja navodila se obrnite na vaše špeditersko podjetje.

VZDRŽEVANJE

Pazite na to, da so prežračevalne reže stroja vedno čiste.

Uporabljajte samo Milwaukee pribor in nadomestne dele. Poskrbite, da sestavne dele, katerih zamenjava ni opisana, zamenjajo v Milwaukee servisni službi (upoštevajte brošuro Garancija/Naslovi servisnih služb).

Po potrebi se lahko pri vaši servisni službi ali direktno pri Techtronic Industries GmbH naroči eksplozijska risba naprave ob navedbi tipa stroja in številke s tipske ploščice Techtronic Industries GmbH, Max-Eyth-Straße 10, 71364 Winnenden, Germany.

SIMBOLI



POZOR! OPOZORILO! NEVARNO!



Pred vsemi deli na stroji odstranite izmenljivi akumulator.



Prosimo, da pred uporabo pazljivo preberete to navodilo za uporabo.



Pri delu s strojem vedno nosite zaščitna očala.



Nositi zaščitne rokavice



Nosite zaščito za sluh!



Oprema – ni vsebovana v obsegu dobave, priporočeno dopolnilo iz programa opreme.



Električnih naprav, baterij/akumulatorjev ni dovoljeno odstranjevati skupaj z gospodinjstvi odpadki. Električne naprave in akumulatorje je potrebno zbirati ločeno in za okolju prijazno odstranitev, oddati podjetju za reciklažo. Pri krajevem uradu ali vašem strokovnem prodajalcu se pozanimajte glede reciklažnih dvorišč in zbirnih mest.



Število dvigov v prostem teku



Napetost



Enosmerni tok

Evropska oznaka za združljivost



Ukrajinska oznaka za združljivost



Evrazijska oznaka za združljivost

TEHNIČKI PODACI	AKUMULATORSKA UBODNA PILA	M18 FJS
Broj proizvodnje.....	4692 59 01... ...000001-999999	
Napon baterije za zamjenu.....	18 V	
Broj hodova praznog hoda.....	0-3500 min ⁻¹ (+/- 10%)	
Visina hoda.....	25 mm	
Kosi rezovi do.....	45°	
Dubina rezanja max. u:		
Drvo.....	100 mm	
Aluminij.....	19 mm	
Čelik.....	10 mm	
Težina po EPTA-proceduri 01/2014 (2,0 Ah - 12,0 Ah).....	2,63 - 3,69 kg	
Preporučena temperatura okoline kod rada.....	-18...+50 °C	
Preporučeni tipovi akumulatora.....	M18B2... M18B9, M18HB12	
Preporučeni punjači.....	M12-18...; M1418C6	

Informacije o buci/vibracijama

Mjerne vrijednosti utvrđene odgovarajuće EN 62841.

A-ocijenjeni nivo buke aparata iznosi tipično:

Nivo pritisaka zvuka (Nesigurnost K=3dB(A)).....	88,68 dB (A)
Nivo učinka zvuka (Nesigurnost K=3dB(A)).....	99,68 dB (A)

Nositi zaštitu sluha!

Ukupne vrijednosti vibracije (Vektor suma tri smjera) su odmjerene odgovarajuće EN 62841

Rezanje drva pilom *1		
Vrijednost emisije vibracije a _h	21,25 m/s ²	
Nesigurnost K=.....	1,5 m/s ²	
Rezanje metalnog lima *2		
Vrijednost emisije vibracije a _h	17,34 m/s ²	
Nesigurnost K=.....	1,5 m/s ²	

*1 s listom pile BIM, dimenzije 100 x 7,5 x 1,0 mm i raspodjelom zuba od 2,5 mm

*2 s listom pile BIM, dimenzije 75 x 7,5 x 1,0 i raspodjelom zuba od 1,8 mm

OPAZORILO

V teh navodilih navedena raven treslajev je bila izmjerena po EN 62841 normiranem merilnem postopku in lahko služi medsebojni primerjavi električnih orodij. Prav tako je primeren za predhodno oceno obremenitve s treslaji.

Navedena raven treslajev navaja najpomembnejše vrste rabe električnega orodja. Kadar se električno orodje uporablja za drugačne namene, z odstopajočimi orodji ali pa z nezadostnim vzdrževanjem, lahko raven treslajev tudi odstopa. Le to lahko čez celoten delovni čas znatno zviša obremenitev s tresenjem.

Za natančno oceno obremenitve s treslaji naj bi se upošteval tudi čas v katerem je naprava izklopljena ali sicer teče, vendar dejansko ni v rabi. Le to lahko obremenitev s treslaji čez celoten delovni čas znatno zmanjša.

Za zaščito upravljalca pred učinkom treslajev uvedite dodatne zaščitne ukrepe npr.: Vzdrževanje električnega orodja in orodja, delo s toplimi rokami, organizacija delovnih potekov.

! **UPOZORENIE!** Treba prečitati sve napomene o sigurnosti, upute, prikaze i specifikacije za ovaj električni alat. Propusti kod pridržavanja sljedećih upita može uzrokovati strujni udar, požar i/ili teške ozljede. **Sačuvajte sve napomene o sigurnosti i upute za buduću primjenu.**

! SIGURNOSNE UPUTE ZA UBOodne PILE

Držite spravu na izoliranim držačkim površinama kada izvodite radove kod kojih rezački alat može pogoditi skrivene vodove struje.

Kontakt rezačkog alata sa vodovima koji sprovođe napon može metalne dijelove sprave dovesti pod napon i tako dovesti do električnog udara.

Koristite vijčane stezaljke ili druga praktična pomoćna sredstva kako bi izradak pričvrstili na stabilnoj podlozi. Držanjem izratka rukom ili protupritisakanjem tijelom izradak može prokliznuti, što može dovesti do gubitka kontrole.

Nosite zaštitu za sluh. Djelovanje buke može dovesti do gubitka sluha.

OSTALE SIGURNOSNE I RADNE UPUTE

Upotrebljavati zaštitnu opremu. Kod radova sa strojem uvijek nositi zaštitne naočale. Preporučuje se zaštitna odjeća, kao zaštitna maska protiv prašine, zaštitne rukavice, čvrste i protiv klizanja sigurne cipele, šljem i zaštitu sluha.

Prašina koja nastaje prilikom rada je često nezdrava i ne bi smijela dospjeti u tijelo. Nositi prikladnu zaštitnu masku protiv prašine.

Ne smiju se obrađivati nikakvni materijali, od kojih prijeti opasnost po zdravlje (npr. azbest).

Kod blokiranja alata koji se upotrebljava uređaj molimo odmah isključiti! Uređaj nemojte ponovno uključiti za vrijeme dok je alat koji se upotrebljava blokiran; time može doći do povratnog udara sa visokim reakcijskim momentom. Pronađite i otklonite uzrok blokiranja alata koji se upotrebljava uz poštivanje sigurnosnih uputa.

Mogući uzroci tome mogu biti:

- Izobličavanje u izratku koji se obrađuje
- Probijanje materijala koji se obrađuje
- Preopterećenje električnog alata

Nemojte sezati u stroj koji radi.

Upotrebljeni alat se može za vrijeme korištenja zagrijati.

UPOZORENIE! Opasnost od opekotina

- kod promjene alata
- kod odlaganja uređaja

Piljevina ili iverje se za vrijeme rada stroja ne smiju odstranjivati.

Kod radova na zidu, stropu ili podu paziti na električne kablove kao i vodove plina i vode.

Osigurajte vaš izradak jednim stezним uređenjem. Neosigurani izradci mogu prouzročiti teške povrede i oštećenja.

Listovi pile sa pukotinama, koji su promijenili oblik, se ne smiju upotrebljavati!

Piljenje uronjavanjem je moguće samo kod mekših materijala (drvo, lagani građevni materijal za zidove), kod tvrdih materijala (metal) se mora nadodati za list pile odgovarajuće veliko bušenje.

Prije svih radova na stroju izvaditi bateriju za zamjenu.

Istrošene baterije za zamjenu ne bacati u vatrau ili u kućno smeće. Milwaukee nudi mogućnost uklanjanja starih baterija odgovarajuće okolini. Milwaukee nudi mogućnost uklanjanja starih baterija odgovarajuće okolini; upitajte molimo Vašeg stručnog trgovca.

Baterije za zamjenu ne čuvati skupa sa metalnim predmetima (opasnost od kratkog spoja).

U prostor za punjenje baterija u uređaju za punjenje ne smiju dospjeti metalni dijelovi (opasnost od kratkog spoja).

Baterije sistema M18 puniti samo sa uređajem za punjenje sistema M18. Ne puniti baterije iz drugih sistema.

Baterije za zamjenu i uređaje za punjenje ne otvarati i čuvati ih samo u suhim prostorijama. Čuvati protiv vlage.

Pod ekstremnim opterećenjem ili ekstremne temperature može iz oštećenih baterija isticati baterijska tekućina. Kod dodira sa baterijskom tekućinom odmah ispirati sa vodom i sapunom. Kod kontakta sa očima odmah najmanje 10 minuta temeljno ispirati i odmah potražiti liječnika.

Upozorenje! Zbog izbjegavanja opasnosti od požara jednim kratkim spojem, opasnosti od ozljeda ili oštećenja proizvoda, alat, izmjenjivi akumulator ili napravu za punjenje ne uronjavati u tekućine i pobrinite se za to, da u uređaju ili akumulator ne prodiru nikakve tekućine. Korozirajuće ili vodljive tekućine kao slana voda, određene kemikalije i sredstva za bijeljenje ili proizvodi koji sadrže sredstva bijeljenja, mogu prouzročiti kratak spoj.

PROPIISNA UPOTREBA

Uboдна pila pili drvo, plastiku i metal. Ona reže ravnine, zakošenja, krivine i unutrašnje isječke.

Ovaj aparat se smije upotrijebiti samo u određene svrhe kao što je navedeno.

CE-IZJAVA KONFORMNOSTI

Izjavljujemo na osobnu odgovornost, da je proizvod opisan pod "Tehnički podaci", sukladan sa svim relevantnim propisima smjernice 2011/65/EU (RoHS), 2014/30/EU, 2006/42/EC i sa sljedećim harmoniziranim normativnim dokumentima:

EN 62841-1:2015
EN 62841-2-11:2016
EN 55014-1:2017
EN 55014-2:2015
EN 50581:2012

Winnenden, 2018-03-31



Alexander Krug
Managing Director

Ovlašten za formiranje tehničke dokumentacije.

Techtronic Industries GmbH
Max-Eyth-Straße 10
71364 Winnenden
Germany



ZAŠTITA MOTORA OVISNA O OPTEREĆENJU

Kod visokog preopterećenja motora se aktivira zaštita protiv preopterećenja. Da bi se moglo dalje raditi, stroj isključiti i ponovno uključiti

NJEŽAN START

Električni nježan start za sigurno rukovanje sprječava kod uključivanja grubi start stroja.

BATERIJE

Baterije koje duže vremena nisu korištene, prije upotrebe napuniti.

Temperatura od preko 50°C smanjuje učinak baterija. Duže zagrijavanje od strane sunca ili grijanja izbjeci.

Priključne kontakte na uređaju za punjenje i baterijama držati čistima.

Za optimalni vijek trajanja se akumulatori poslije upotrebe moraju sasvim napuniti.

Za što moguće duži vijek trajanja, akumulatori se nakon punjenja moraju odstraniti iz punjača.

Kod skladištenja akumulatora duže od 30 dana:

Akumulator skladištiti na suhom kod ca. 27°C.

Akumulator skladištiti kod ca. 30%-50% stanja punjenja.

Akumulator ponovno napuniti svakih 6 mjeseci.

ZAŠTITA OD PREOPTEREĆENJA AKUMULATORA

Akkupack je opremljen jednom zaštitom protiv preopterećenja, koja akumulator štiti protiv preopterećenja i osigurava dugi vijek.

Kod ekstremno jakih opterećenja, elektronika akumulatora automatski isključuje stroj. Za nastavak rada stroja isključiti i ponovno uključiti. Ako se stroj ponovno ne pokrene, Akkupack je eventualno ispražnjen i mora se na punjaču ponovno napuniti.

TRANSPORT LITJSKIH IONSKIH BATERIJA

Litijske-ionske baterije spadaju pod zakonske odredbe u svezi transporta opasne robe.

Prijevoz ovih baterija mora uslijediti uz poštivanje lokalnih, nacionalnih i internacionalnih propisa i odredaba.

- Korisnici mogu bez ustručavanja ove baterije transportirati po cestama.
- Komercijalni transport litijsko-ionskih baterija od strane transportnih poduzeća spada pod odredbe o transportu opasne robe. Otpremničke priprave i transport smiju izvoditi isključivo odgovarajuće školovane osobe. Kompletni proces se mora pratiti na stručan način.

Kod transporta baterija se moraju poštivati sljedeće točke:

- Uvjerite se da su kontakti zaštićeni i izolirani kako bi se izbjegli kratki spojevi.
- Pazite na to, da blok baterija unutar pakiranja ne može proklizavati.
- Oštećene ili iscrpujele baterije se ne smiju transportirati.

U svezi ostalih uputa obratite se vašem prijevoznom poduzeću.

ODRŽAVANJE

Prorozre za prozračivanje stroja uvijek držati čistima.

Primijeniti samo Milwaukee opremu i rezervne dijelove. Sastavne dijelove, čija zamjena nije opisana, dati zamjeniti kod jedne od Milwaukee servisnih službi (poštivati brošuru Garancija/Adrese servisa).

Po potrebi se može zatražiti crtež eksplozije aparata uz davanje podataka o tipu stroja i desetoznamenastog broja na pločici snage kod Vaše servisne službe ili direktno kod Techtronic Industries GmbH, Max-Eyth-Straße 10, 71364 Winnenden, Germany.

SIMBOLI



PAŽNJA! UPOZORENIE! OPASNOST!



Prije svih radova na stroju izvaditi bateriju za zamjenu.



Molimo da pažljivo pročitate uputu o upotrebi prije puštanja u rad.



Kod radova na stroju uvijek nositi zaštitne naočale.



Nositi zaštitne rukavice!



Nositi zaštitu sluha!



Oprema - u opsegu isporuke nije sadržana, preporučena dopuna iz promgrama opreme.



Elektrouređaji , baterije/akumulatori se ne smiju zbrinjivati skupa sa kućnim smećem. Električni uređaji akumulatori se moraju skupljati odvojeno i predati na zbrinjavanje primjereno okolišu jednom od pogona za iskorišćavanje. Raspitajte se kod mjesnih vlasti ili kod stručnog trgovca u svezi gospodarstva za recikliranje i mjesta skupljanja.



Broj hodova praznog hoda



Napon



Istosmjerna struja



Europski znak suglasnosti



Ukrajinski znak suglasnosti



Euroazijski znak suglasnosti

TEHNISKIE DATI	AKUMULATORA FINIERZĀĢĪTIS	M18 FJS
Izlaides numurs	4692 59 01... ...000001-999999
Akumulātorā spriegums.....	18 V
Tukšgaitas gājienu skaits	0-3500 min ⁻¹ (+/- 10%)
Gājienu augstums.....	25 mm
Sasvērta zāģēšana līdz	45°
maks. griezuma dziļums (mērv.):		
Koks	100 mm
Alumīnijs	19 mm
Tērauds	10 mm
Svars atbilstoši EPTA -Procedure 01/2014 (2,0 Ah - 12,0 Ah).....	2,63 - 3,69 kg
Leteicamā vides temperatūra darba laikā.....	-18...+50 °C
Leteicamie akumulatoru tipi.....	M18B2... M18B9, M18HB12
Leteicamās uzlādes ierīces.....	M12-18 ... ; M1418C6

Trokšņu un vibrāciju informācija

Vērtības, kas noteiktas saskaņā ar EN 62841.

A novērtētās aparatūras skaņas līmenis ir:

Trokšņa spiediena līmenis (Nedrošība K=3dB(A))..... 88,68 dB (A)

Trokšņa jaudas līmenis (Nedrošība K=3dB(A))..... 99,68 dB (A)

Nēsāt trokšņa slāpētāju!

Svārstību kopejā vērtība (Trīs virzīnu vektoru summa) tiek noteikta atbilstoši EN 62841.

Koka zāģis *1
svārstību emisijas vērtība a_h..... 21,25 m/s²

Nedrošība K=..... 1,5 m/s²

Metāla un skārda zāģis *2
svārstību emisijas vērtība a_h..... 17,34 m/s²

Nedrošība K=..... 1,5 m/s²

*1 ar zāģa plātni BIM, izmērs 100 x 7,5 x 1,0 mm un zobu solis 2,5 mm

*2 ar zāģa plātni BIM, izmērs 75 x 7,5 x 1,0 mm un zobu solis 1,8 mm

UZMANĪBU

Instrukcijā norādītā svārstību robežvērtība ir izmērīta mērījumu procesā, kas veikts atbilstoši standartam EN 62841, un to var izmantot elektroinstrumentu savstarpējai salīdzināšanai. Tā ir piemērota arī svārstību noslogojuma pagaidu izvērtēšanai.

Norādītā svārstību robežvērtība ir reprezentatīva elektroinstrumenta pamata pielietojuma jomām. Tomēr, ja elektroinstrumenti tiek pielietoti citās jomās, papildus izmantojot neatbilstošus elektroinstrumentus vai pēc nepietiekamas tehniskās apkopes, tad svārstību robežvērtība var atšķirties. Tas var ievērojami palielināt svārstību noslogojumu visa darba laikā.

Precīzai svārstību noslogojuma noteikšanai, ir jāņem vērā arī laiks, kad ierīces ir izslēgta vai arī ir ieslēgta, tomēr faktiski netiek lietota. Tas var ievērojami samazināt svārstību noslogojumu visa darba laikā.

Integrējiet papildus drošības pasākumus pret svārstību ietekmi lietotājam, piemēram: elektroinstrumentu un darba instrumentu tehniskā apkope, roku siltuma uzturēšana, darba procesu organizācija.

▲ BRĪDINĀJUMS Izlasiet visus šim elektroinstrumentam pievienotos drošības brīdinājumus, instrukcijas, ilustrācijas un specifikācijas. Nespēja ievērot visas zemāk uzskaitītās instrukcijas var novest pie elektrošoka, ugunsgrēka un/vai smagiem savainojumiem.

Pēc izlasīšanas uzglabājiet šos noteikumus turpmākai izmantošanai.

▲ FIGURZĀGA DROŠĪBAS NORĀDES

Ierīci turiet aiz izolētiem rokturiem, ja veicat darbus, kuros griešanas darbiem izmantojamais instruments var skart paslēptus elektrovadus.

Šī instrumenta saskare ar strāvu vadosiem kabeļiem var radīt spriegumu arī ierīces metālisķēmas daļās un var izraisīt elektrisko triecienu.

Izmantojiet skavas vai kādu citu praktisku veidu kā atbalstīt un nostiprināt apstrādājamo materiālu pie stabilas platformas. Materiāla turēšana rokā vai atbalstīšana pret ķermeni padara to nestabilu un var izraisīt kontroles zaudēšanu.

Nēsājiet ausu aizsargus. Trokšņa iedarbības rezultātā var rasties dzirdes traucējumi.

CITAS DROŠĪBAS UN DARBA INSTRUKCIJAS

Jāizmanto aizsargaprīkojums. Strādājot ar mašīnu, vienmēr jānēsā aizsargbrilles, leteicams nēsāt aizsargapģērbus, kā piemēram, aizsargmasku, aizsargcimdus, kurpes no stingra un neslīdīga materiāla, ķiveri un ausu aizsargus.

Putekļi, kas rodas darba gaitā, bieži ir kalnīgi veselībai un tiem nevajadzētu nokļūt organismā. Jānēsā piemērota maska, kas pasargā no putekļiem.

Nedrīkst apstrādāt materiālus, kas rada draudus veselībai (piemēram, azbestu).

Ja izmantojamais darba rīks tiek bloķēts, nekavējoties izslēgt ierīci! Neieslēdziet ierīci, kamēr izmantojamais darba rīks ir bloķēts; var rasties atslēgšanās brīdī augstu griezes momentu. Noskaidrojiet un novērsiet izmantojamā darba rīka bloķēšanas iemeslu, ievērojot visas drošības norādes.

Iespējamie iemesli:

- iesprūdis apstrādājamajā materiālā
- apstrādājamais materiāls ir caursirts
- elektroinstrumenti ir pārslogoti

I+AA2eslēgtai ierīcei nepieskarties.

Izmantojamais darba rīks darba gaitā var stipri sakarst.

UZMANĪBU! Bīstamība apdedzināties

- veicot darba rīka nomaiņu

- noliekot iekārtu

Skaidas un atļūzas nedrīkst ņemt ārā, kamēr mašina darbojas.

Veicot darbus sienu, griestu un grīdas apvidū, vajag uzmanīties, lai nesabojātu elektriskos, gāzes un ūdens vadus.

Fiksējiet apstrādājamo materiālu ar fiksācijas aprīkojumu. Nenostiprināti materiāli var izraisīt smagus savainojumus un bojājumus.

Saplaisājušas zāģu ripas un tādas, kas ir izmainījušas savu formu, nedrīkst izmantot. Iegremdējamos zāģus drīkst izmantot tikai mīkstu materiālu apstrādei (koks, vieglie būvmateriāli sienām), cietākos materiālos iepriekš jāveic zāģa ripas izmēram atbilstošs urbums.

Pirms mašīnai veikt jebkāda veida apkopes darbus, ir jāizņem ārā akumulators.

Izmantotos akumulatorus nedrīkst mest ugunī vai parastajos atkritumos. Firma Milwaukee piedāvā iespēju vecos akumulatorus savākt apkārtējo vidi saudzējošā veidā; jautājiet specializēlā veikalā.

Akumulatorus nav ieteicams glabāt kopā ar metāla priekšmetiem (iespējams iesslēgums).

Jāuzmanās, lai akumulatoru lādētājā nenokļūtu nekādi metāla priekšmeti (iespējams iesslēgums).

M18 sistēmas akumulatorus lādēt tikai ar M18 sistēmas lādētājiem. Nedrīkst lādēt citus akumulatorus no citām sistēmām.

Akumulatorus un lādētājus nedrīkst taisīt vaļā un tie jāuzglabā sausās telpās.

Pie ārkārtas slodzes un ārkārtas temperatūrām no bojātā akumulatora var izteciēt akumulatora šķidrums. Ja nonākt saskarsmē ar akumulatora šķidrumu, saskarsmes vieta nekavējoties jānomazgā ar ūdeni un ziepēm. Ja šķidrums nonācis acīs, acis vismaz 10 min. skalojiet nekavējoties konsultējies ar ārstu.

Brīdinājumi! Lai novērstu Iссавienojuma izraisītu aizdegšanās, savainojumu vai produkta bojājuma risku, neiegremdējiet instrumentu, maināmo akumulatoru vai uzlādes ierīci šķidrums un rūpējieties par to, lai ierīcēs un akumulatoros neieklūtu šķidrums. Koroziju izraisa arī vadītspējīgi šķidrums, piemēram, sālsūdens, noteiktas ķīmiskāiljas, balinātāji vai produkti, kas satur balinātājus, var izraisīt Iссавienojumu.

NOTEIKUMIEM ATBILSTOŠS IZMANTOJUMS

Ar svārstā zāģi var zāģēt koku, plastmasu un metālu. Ar to var veikt taisnos zāģējumus, kā arī sasvērto, slīpo un kombinēto zāģēšanu.

Šo instrumentu drīkst izmantot tikai saskaņā ar minētajiem lietošanas noteikumiem.

ATBILSTĪBA CE NORMĀM

Mēs apliecinām, ka produkts, kura tehniskie parametri aprakstīti "tehnisko datu lapā", pilnībā atbilst prasībām saskaņā ar direktīvām 2011/65/EU (RoHS), 2014/30/ES, 2006/42/EK un attiecīgajiem harmonizētajiem normatīvajiem dokumentiem:

EN 62841-1:2015
EN 62841-2-11:2016
EN 55014-1:2017
EN 55014-2:2015
EN 50581:2012

Winnenden, 2018-03-31

Alexander Krug

Managing Director

Pinlvarolais tehniskās dokumentācijas sastādītānā.

Techtronic Industries GmbH

Max-Eyth-Straße 10

71364 Winnenden

Germany



NO NOSLOGOJUMA ATKĀRĪGA MOTORA AIZSARDZĪBA

Ja pastāv augsts motora pārsllogojums, iedarbojas aizsardzības sistēma pret pārsllogojumu. Lai darbu varētu turpināt, ierīci izslēdziet un atkal ieslēdziet.

REGULĒTĀ PAKĀPENISKĀ

Elektroniski regulēlā pakāpeniskā iedarbināšana novērs grūdienveida iedarbošanos pēc mašīnas iedarbināšanas.

AKUMULĀTORI

Akumulatori, kas ilgāku laiku nav izmantoti, pirms lietošanas jāuzlādē.

Pie temperatūras, kas pārsniedz 50°C, akumulatoru darbēspēja tiek negatīvi ietekmēta. Vajag izvairīties no ilgākas saules un karstuma iedarbības.

Lādētājā un akumulatoru pievienojuma kontakti jāuztur tīri.

Lai baterijas darba ilgums būtu optimāls, pēc iekārtas izmantošanas tā jāuzlādē.

Lai akumulatori kalpotu pēc iespējas ilgāku laiku, tos pēc uzlādes ieteicams atvienot no lādētāj ierīces.

Akumulatora uzglabāšana ilgāk kā 30 dienas: uzglabāt akumulatoru pie aptuveni 27°C un sausā vietā. Uzglabāt akumulatoru uzlādes stāvoklī aptuveni pie 30%-50%.

Uzlādēt akumulatoru visus 6 mēnešus no jauna.

AKUMULATORA AIZSARDZĪBA PRET PĀRSLOGOJUMU

Akumulatoru bloks ir aprīkots ar pretpārsllogojuma aizsardzību, kas akumulatoru pasargā no pārsllogojuma un nodrošina ilgū tā kalpošanas laiku.

Ārkārtīgi augsta noslogojuma gadījumā akumulatora elektronika ierīci automātiski izslēdz. Lai darbu turpinātu, ierīci izslēdziet un atkal ieslēdziet. Ja ierīce neieslēdzas, iespējams, ka akumulatoru bloks ir izlādējies un ir jāuzlādē no jauna.

LITĪJA JONU AKUMULATORU TRANSPORTĒŠANA

Uz litija jonu akumulatoriem attiecas noteikumi par bīstamo kravu pārvadāšanu.

Šo akumulatoru transportēšana jāveic saskaņā ar vietējiem, valsts un starptautiskajiem normatīvajiem aktiem un noteikumiem.

- Patērētāja darbības, pārvadājot šos akumulatorus pa autoceļiem, nav reglamentētas.
- Uz litija jonu akumulatoru komerciālu transportēšanu, ko veic ekspedīcijas uzņēmums, attiecas bīstamo kravu pārvadāšanas noteikumi. Saģatavošanas darbus un transportēšanu drīkst veikt tikai atbilstoši apmācīts personāls. Viss process jāvada profesionāli.

Veicot akumulatoru transportēšanu, jāievēro:

- Pārliecinieties, ka kontakti ir aizsargāti un izolēti, lai izvairītos no Iссавienojumiem.
- Pārliecinieties, ka akumulators iepakojumā nevar paslīdēt.
- Bojātus vai tekošus akumulatorus nedrīkst transportēt.

Plašāku informāciju Jūs varat saņemt no ekspedīcijas uzņēmuma.

APKOPE

Vajag vienmēr uzmanīti, lai būtu tīras dzesēšanas atveres.

Izmantojiet tikai firmu Milwaukee piederumus un firmas rezerves daļas. Lieciet nomainīt detaļas, kuru nomaina nav aprakstīta, kādā no firmu Milwaukee klientu apkalpošanas servisiem. (Skāt. brošūru "Garantija/klientu apkalpošanas serviss"). Ja nepieciešams, klientu apkalpošanas serviss vai tieši pie firmas Techtronic Industries GmbH, Max-Eyth-Straße 10, 71364 Winnenden, Germany, var pieprasīt instrumenta numurs, kas norādīts uz jaudas paneļa.

SIMBOLI



UZMANĪBU! BĪSTAMI!



Pirms mašīnai veikt jebkāda veida apkopes darbus, ir jāizņem ārā akumulators.



Pirms sākt lietot instrumentu, lūdzu, izlasiet lietošanas pamācību.



Strādājot ar mašīnu, vienmēr jānēsā aizsargbrilles.



Jāvalkā aizsargcimdi!



Nēsāt trokšņa slāpētāju!



Piederumi - standartaprīkojumā neietvertās, bet ieteicamās papildus komplektācijas detaļās no piederumu programmas.



Elektriskus aparātus, baterijas/akumulatorus nedrīkst izlietēt kopā ar mājсаимniecības atkritumiem.

Elektriski aparāti un akumulatori ir jāsavāc atsevišķi

un jānodod atkritumu pārstrādes uzņēmumā videi

saudzīgai utilizācijai.

Jautājiet vietējā iestādē vai savam specializētājam

tirgotājam, kur atrodas atkritumu pārstrādes

uzņēmumi vai savākšanas punkti.



Tukšgaitas apgriezīnu skaits



Spriegums



Europas atbilstības zīme



Ukrainas atbilstības zīme



Eirāzijas atbilstības zīme

TECHINIAI DUOMENYS	SAURAS P.JŪKLAS SU AKUMULIATORIUMI	M18 FJS
Produkto numeris	4692 59 01000001-999999
Keičiamo akumuliatoriaus įtampa	18 V	
Judesių skaičius laisva eiga	0-3500 min ⁻¹ (+/- 10%)	
Judėsio aukštis	25 mm	
Istrižį pjūviai iki	45°	
Maks. pjūvio gylis pjaunant:		
Mediena	100 mm	
Aliuminis	19 mm	
Pliena	10 mm	
Prietaiso svoris įvertintas pagal EPTA 01/2014 tyrimų metodiką(2,0 Ah - 12,0 Ah)	2,63 - 3,69 kg	
Rekomenduojama aplinkos temperatūra dirbant	-18...+50 °C	
Rekomenduojami akumuliatorių tipai	M18B2... M18B9, M18HB12	
Rekomenduojami įkrovikliai	M12-18 ... ; M1418C6	

Informacija apie triukšmą/vibraciją

Vertės matuotos pagal EN 62841.

Įvertintas A įrenginio keliamo triukšmo lygis dažniausiai sudaro:

Garso slėgio lygis (Paklaida K=3dB(A))	88,68 dB (A)
Garso galios lygis (Paklaida K=3dB(A))	99,68 dB (A)

Nešioti klausos apsaugines priemones!

Bendroji svyravimų reikšmė (trijų krypčių vektorių suma), nustatyta remiantis EN 62841.

Medienos pjovimas *1

Vibravimų emisijos reikšmė a _w	21,25 m/s ²
Paklaida K=.....	1,5 m/s ²

Metalo skardos pjovimas *2

Vibravimų emisijos reikšmė a _w	17,34 m/s ²
Paklaida K=.....	1,5 m/s ²

*1 su BIM pjūtko geležte, dydis 100 x 7,5 x 1,0 mm ir 2,5 mm tarpas tarp dantų

*2 su BIM pjūtko geležte, dydis 75 x 7,5 x 1,0 ir 1,8 mm tarpas tarp dantų

DĖMESIO

Instrukcijoje nurodyta svyravimų ribinė vertė yra išmatuota remiantis standartu EN 62841; ji gali būti naudojama keliems elektriniams instrumentams palyginti. Ji taikoma ir laikinai įvertinti svyravimų aprkova.

Nurodyta svyravimų ribinė vertė yra taikoma pagrindinėse elektrinio instrumento naudojimo srityse. Svyravimų ribinė vertė gali skirtis naudojant elektrinį instrumentą kitose srityse, papildomai naudojant netinkamus elektrinius instrumentus arba juos nepakankamai techniškai prižiūrint. Dėl to viso darbo metu gali žymiai padidėti svyravimų aprkova.

Siekiant tiksliai nustatyti svyravimų aprkova, būtina atsižvelgti ir į laikotarpį, kai įrenginys yra išjungtas arba įjungtas, tačiau faktiškai nenaudojamas. Dėl to viso darbo metu gali žymiai sumažėti svyravimų aprkova.

Siekiant apsaugoti vartotojus nuo svyravimo įtakos naudojamos papildomos saugos priemonės, pavyzdžiui, elektrinių darbo instrumentų techninė priežiūra, rankų šilumos palaikymas, darbo procesų organizavimas.

⚠️ WARNING Perskaitykite visus saugumo įspėjimus, instrukcijas, peržiūrėkite iliustracijas ir specifikacijas, pateiktas kartu su šiuo įrankiu. Jei nepaisysite visų toliau pateiktų instrukcijų, gali trenkti elektros smūgis, kilti gaisras ir/arba galite sunkiai sužaloti arba sužaloti kitus asmenis.
Įsisaugokite šias saugos nuorodas ir reikalavimus, kad ir ateityje galėtumėte jais pasinaudoti.

⚠️ SAURIAPJŪKLIO SAUGUMO NURODYMAI

Dirbdami laikykite prietaisą už izoliuotų vietų, kuriose pjovimo įrenginys pats galėtų liesti paslėptus laidus.

Pjovimo įrenginio kontaktas su įtampas laidais gali įelektrinti metalines prietaiso dalis, o tai gali sukelti elektros iškravą.

Naudokite spaustuvus ar kitokią tinkamą tvirtinimo priemonę pritvirtinti daiktą, su kuriuo dirbate, prie stablaus pagrindo. Jei dalį, su kuria dirbate, laikote ranka arba prispaudę prie savo kūno, ji yra nestabili, ir todėl gali įvykti nelaimingas atsitikimas.

Nešioti klausos apsaugos priemones. Triukšmo poveikyje galima netekti klausos.

KITI SAUGUMO IR DARBO NURODYMAI

Dėvėkite apsaugines priemones. Dirbdami su mašina visada užsidėkite apsauginius akinius. Rekomenduojama dėvėti apsaugines priemones: apsaugos nuo dulkių respiratorius, apsaugines pirštines, kietus batus neslidžiais padais, šalną ir klausos apsaugos priemones.

Darbo metu susidarančios dulkės yra dažnai kenksmingos sveikatai ir todėl turėtų nepatekti į organizmą. Dėvėti tinkamą apsauginę kaukę nuo dulkių.

Negalima apdirbti medžiagų, dėl kurių galimi sveikatos pažeidimai (pvz., asbesto).

Blokuojant įstatomąjį įrankį būtina išjungti prietaisą! Neįjunkite prietaiso, kol įstatomasis įrankis yra užblokuotas; galimas grįžtamasis smūgis su dideliu sukimo momentu. Atsižvelgdami į saugumo nurodymus, nustatykite ir pašalinkite įstatomojo įrankio blokavimo priežastį.

Galimos priežastys:

- Susidariusios apdirbamo ruošinio briaunos
- Apdirbamos medžiagos prarūpinkimas
- Elektros įrankio perkrova

Nekiškite rankų į veikiančią mašiną.

Naudojamas įstatomasis įrankis gali įkaisti.

DĖMESIO! Pavojus nusideginti

- keičiant įrankį
- padedant prietaisą

Draudžiama išiminėti drožles ar nuopjovas, įrenginiui veikiančiui.

Dirbdami sienoje, lubose arba grindyse, atkreipkite dėmesį į elektros laidus, dujų ir vandens vamzdžius.

Ruošinį užfiksuokite tempimo įrenginiu. Neužfiksuoti ruošiniai gali sunkiai sužaloti ir būti pažeidimų priežastimi.

Įtrūkusius arba pakitusios formos pjovimo diskus naudoti draudžiama!

Pjauti įleidimo metodu galima tik minkštesse medžiagose (medienoje, lengvuųjų konstrukcijų medžiagose sienoms). Pjaunant kietose medžiagose, reikia išgręžti pjovimo disko dydį atitinkantį gręžinį.

Prieš atlikdami bet kokius darbus įrenginyje, išimkite keičiamą akumuliatorių.

Sunaudotų keičiamų akumuliatorių nedeginkite ir nemeskite į buitines atliekas.

„Milwaukee“ siūlo tausojantį aplinką sudėvėtų keičiamų akumuliatorių tvarkymą, apie tai prekybos atstovo.

Keičiamų akumuliatorių nelaiškite kartu su metaliniais daiktais (trumpojo jungimo pavojus).

Į įkroviklių keičiamiems akumuliatoriams įstatymu skirtą vamzdį turi nepatekti jokios metalinės dalys (trumpojo jungimo pavojus).

Keičiamus „M18“ sistemos akumuliatorius kraitkite tik „M18“ sistemos įkrovikliais.

Nekraukite kitų sistemų akumuliatorių.

Keičiamų akumuliatorių ir įkroviklių nelaiškite atvirai. Laikykite tik sausoje vietoje.

Saugokite nuo drėgmės.

Ekstremalių apkrovų arba ekstremalios temperatūros poveikyje iš keičiamų akumuliatorių gali ištekėti akumuliatoriaus skystis. Išsistepus akumuliatoriaus skysčiu, tuoj pat nuplaukite vandeniu su muilu. Patekus į akis, tuoj pat ne trumpiau kaip 10 minučių gausiai skalaukite vandeniu ir tuoj pat kreipkitės į gydytoją.

Įspėjimas! Siekdami išvengti trumpojo jungimo sukeliama gaisro pavojaus, sužalojimų arba produkto pažeidimų, nekiškite įrankio, keičiamo akumuliatoriaus arba įkroviklio į skystį ir pasirūpinkite, kad į prietaisus arba akumuliatorius nepatektų jokių skysčių. Koroziją sukeliantys arba laidūs skystčiai, pvz., sūrus vanduo, tam tikri chemikalai ir balikliai arba produktai, kurių sudėtyje yra baliklių, gali sukelti trumpąjį jungimą.

NAUDOJIMAS PAGAL PASKIRTĮ

Siaurapjūklis pjauna medieną, plastiką ir metalą. Jis pjauna tieses, nuosklembas, kreives ir vidines išpjovas.

Šį prietaisą leidžiama naudoti tik pagal nurodytą paskirtį.

CE ATITIKTIES PAREIŠKIMAS

Remiantis bendrais atsakomybės reikalavimais pareiškiami, jog skyriuje "Techniniai duomenys" aprašytas produktas atitinka visus toliau pateiktų juridinių direktyvų reikalavimus: 2011/65/EU (RoHS), 2014/30/ES, 2006/42/EB ir kitus su jomis susijusius norminius dokumentus:

EN 62841-1:2015
EN 62841-2-11:2016
EN 55014-1:2017
EN 55014-2:2015
EN 50581:2012

Winnenden, 2018-03-31

Alexander Krug

Alexander Krug
Managing Director
Išgalios parengti techninius dokumentus.

Techtronic Industries GmbH
Max-Eyth-Straße 10
71364 Winnenden
Germany



PRIKLAUSANTI NUO APKROVIMO VARIKLIO APSAUGA

esant dideliam variklio apkrovai, įsijungia apkrovos viršijimo apsauga. Norėdami dirbti toliau, išjunkite mašiną, o tada vėl ją įjunkite.

TOLYGAS PALEIDIMO REGULIATORIUS

Saugiam valdymui - elektroninis tolygus paleidimo reguliatorius, užkertantis kelią įrenginio trūkčiojimui, jį paleidžiant.

AKUMULIATORIAI

Ilgesnį laiką nenaudotus keičiamus akumuliatorius prieš naudojimą įkraukite.

Aukštesnė nei 50°C temperatūra mažina keičiamų akumuliatorių galą. Venkite ilgesnio saulės ar šilumos šaltinių poveikio.

Įkroviklio ir keičiamo akumuliatoriaus jungiamieji kontaktai visada turi būti švarūs.

Kad prietaisas kuo ilgiau veiktų, pasinaudoję juo, iki galo įkraukite akumuliatorius.

Siekiant užtikrinti kuo ilgesnį baterijos tarnavimo laiką, reikėtų ją po atlikto įkrovimo iškart šimti iš įkroviklio.

Bateriją laikant ilgiau nei 30 dienų, būtina atkreipti dėmesį į šias nuorodas: bateriją laikyti sausoje aplinkoje, esant apie 27 °C temperatūrai. Baterijos įkrovimo lygis turi būti nuo 30% iki 50%. Baterija pakartotinai turi būti įkraunama kas 6 mėnesius.

APSAUGA NUO AKUMULIATORIAUS PERKROVOS

Akumuliatorių blokas turi apsaugą nuo perkrovos, kuri leidžia išvengti perkrovų ir užtikrina jo eksploatacijos ilgaamžiškumą.

Esant didelėms apkrovoms, akumuliatoriaus elektroninė sistema prietaisą išjungia automatiškai. Kad prietaisas dirbtų toliau, reikia jį išjungti ir vėl įjungti. Jeigu prietaisas neįsijungia, esant galimybei, akumuliatoriaus kompleksą reikia iškrauti ir įkroviklyje iš naujo įkrauti.

LIČIO JONŲ AKUMULIATORIŲ PERVEŽIMAS

Ličio jonų akumuliatoriams taikomos įstatyminės nuostatos dėl pavojingų krovinių pervežimų.

Šiuos akumuliatorius pervežti būtina laikantis vietinių, nacionalinių ir tarptautinių direktyvų ir nuostatų.

- Naudotojai šiuos akumuliatorius gali naudoti savo transporte be jokių kitų sąlygų.
- Už komercinį ličio jonų akumuliatorių pervežimą atsako ekspedicijos įmonė pagal nuostatas dėl pavojingų krovinių pervežimo. Pasiruošimo išsiųsti ir pervežimo darbus gali atlikti tik atitinkamai išmokyti asmenys. Visas procesas privalo būti prižiūrimas.

Pervežant akumuliatorius būtina laikytis šių punktų:

- Siekiant išvengti trumpųjų jungimų, įsitikinkite, kad kontaktai yra apsaugoti ir izoliuoti.
- Atkreipkite dėmesį, kad akumuliatorius pakuotės viduje neslidinėtų.
- Draudžiama pervežti pažeistus arba tekančius akumuliatorius.

Dėl detalesnių nurodymų kreipkitės į savo ekspedicijos įmonę.

TECHINIS APTARNAVIMAS

Įrenginio vėdinimo angos visada turi būti švarios.

Naudokite tik Milwaukee priedus ir atsargines dalis. Dalis, kurių keitimas neaprašytas, leidžiama keisti tik Milwaukee klientų aptarnavimo skyriams (žr. garantiją;klientų aptarnavimo skyrių adresu brošiūroje).

Jei reikia, nurodant įrenginio tipą bei specifikacijų lentelėje esantį numerį, iš klientų aptarnavimo skyriaus arba tiesiai iš Techtronic Industries GmbH, Max-Eyth-Straße 10, 71364 Winnenden, Germany, galima užsisakyti prietaiso surinkimo brėžinius.

SIMBOLIAI

	DĖMESIO! ĮSPĖJIMAS! PAVOJUS!
	Prieš atlikdami bet kokius darbus įrenginyje, išimkite keičiamą akumuliatorių.
	Prieš pradėdami dirbti su prietaisu, atidžiai perskaitykite jo naudojimo instrukciją.
	Dirbdami su įrenginiu visada nešioti apsauginius akinius.
	Lietojiet aizsardzības cimdus!
	Nešioti klausos apsaugines priemones!
	Priedas – neįeina į tiekimo komplektaciją, rekomenduojamas papildymas iš priedų asortimento.
	Elektros prietaisų, baterijų/akumuliatorių šalinti kartu su buitinėmis atliekomis negalima. Elektros prietaisus ir akumuliatorius reikia surinkti atskirai ir atiduoti perdirbimo įmonei, kad būtų pašalinti aplinkai saugiu būdu. Vietos valdžios institucijose arba specializuotose prekybos vietose pasidomėkite apie perdirbimo ir surinkimo centrus.
	judesių skaičius laisva eiga
	Įtampa
	Nuolatinė srovė
	Europos atitikties ženklas
	Ukrainos atitikties ženklas
	Eurazijos atitikties ženklas

TEHNILISED ANDMED	JUHTMETA JÕHVSAAG	M18 FJS
Tootmisnumber	4692 59 01...	..000001-999999
Vahetatava aku pinge	18 V	
Kaikude arv tühjooksul.....	0-3500 min ⁻¹ (+/- 10%)	
Käigu kõrgus	25 mm	
Kaldioiked kuni	45°	
Lõikesügavus maks:		
Puit	100 mm	
Alumiinium	19 mm	
Teras	10 mm	
Kaal vastavalt EPTA-protseduurile 01/2014 (2,0 Ah - 12,0 Ah)	2,63 - 3,69 kg	
Soovitulik ümbritsev temperatuur töötamise ajal	-18...+50 °C	
Soovituslikud akutüübid	M18B2... M18B9, M18HB12	
Soovituslik laadija	M12-18 ... ; M1418C6	

Müra/vibratsiooni andmed

Mõõteväärtused on kindlaks tehtud vastavalt normile EN 62841.

Seadme tüüpiline hinnanguline (A) müratase:	
Helirõhutase (Määramatus K=3dB(A))	88,68 dB (A)
Helivõimsuse tase (Määramatus K=3dB(A))	99,68 dB (A)

Kandke kaitseks kõrvaklappe!

Vibratsiooni koguväärtus (kolme suuna vektorsumma) mõõdetud EN 62841 järgi.

Puidu saagimine *1

Vibratsiooni emissiooni väärtus a _h	21,25 m/s ²
Määramatus K=	1,5 m/s ²

Metalpleki saagimine *2

Vibratsiooni emissiooni väärtus a _h	17,34 m/s ²
Määramatus K=	1,5 m/s ²

*1 koos saelehega BIM, mõõdud 100 x 7,5 x 1,0 mm ja hammaste samm 2,5 mm
 *2 koos saelehega BIM, mõõdud 75 x 7,5 x 1,0 ja hammaste samm 1,8 mm

TÄHELEPANU

Antud juhendis toodud võnketase on mõõdetud EN 62841 standardile vastava mõõtesüsteemiga ning seda võib kasutada erinevate elektriseadmete omavahelises võrdlemises. Antud näitaja sobib ka esmaseks võnkekoormuse hindamiseks.

Antud võnketase kehtib elektriseadme kasutamisel sihtotstarbelselt. Kui elektriseadet kasutatakse muudel otstarvetel, muude tööriistadega või seda ei hooldata piisavalt võib võnketase siintoodust erineda. Eeltoodu võib võnketaset märkimisväärselt tõsta terves töökeskkonnas.

Võnketaseme täpseks hindamiseks tuleks arvestada ka Milwaukeea, mil seade on välja lülitatud või on küll sisse lülitatud, kuid ei ole otseselt kasutuses. See võib märgatavalt vähendada kogu töökeskkonna võnketaset.

Rakendage spetsiaalseid ettevaatusabinõusid töötajate suhtes, kes puutuvad töö käigus palju kokku vibratsiooniga. Nendeks abinõudeks võivad olla, näiteks: elektri- ja tööseadmete korraline hooldus, käte soojendamine, töövoo parem organiseerimine.

⚠ TÄHELEPANU! Kõik selle elektrilise tööriistaga kaasasolevad ohutusnõuded, juhised, joonised ja spetsifikatsioonid tuleb läbi lugeda. Kõigi allpool loetletud juhiste eiramise tagajärjeks võib olla elektrilööki, tulekahju ja/või raskek vigastused.

Hoidke kõik ohutusnõuded ja juhised edasiseks kasutamiseks hoolikalt alles.

⚠ TIKKSAAGIDE OHUTUSJUHISED

Tööde puhul, kus lõikeseade võib minna vastu peidetud elektrijuhtmeid, hoidke kinni seadme isoleeritud käepidemetest.

Kokkupuude pingestatud juhtmega võib pingestada ka lõikeseadme metallist osad ning põhjustada elektrilööki.

Töö kinnitamiseks stabiilsele platvormile, kasuta klambreid või leia selleks mingi muu praktiline viis. Hoides tööd käega või vastu keha võib olla ebastabiilne ja võib põhjustada kontrolli kaotust.

Kandke kaitseks kõrvaklappe. Müra mõju võib kutsuda esile kuulmise kaotuse.

EDASISED OHUTUS- JA TÕÕJUHISED

Kasutada kaitsevarustust. Masinaga töötamisel kanda alati kaitseprille. Kaitseriietusena soovitatakse kasutada tolmu maski kaitsekindaid, kinniseid ja libisemisvastase talaga jalanõusid, kiivrit ja kuulmisteede kaitset.

Töö ajal tekkiv tolmu on sageli tervistkahjustav ning ei tohiks sattuda organismi. Kanda sobivat kaitsemaski.

Töödelda ei tohi materjale, millest lähtub oht tervisele (nt asbest).

Palun lülitage seade rakendustööriista blokeerumise korral kohe välja! Ärge lülitage seadet sisse tagasi, kuni rakendustööriist on blokeeritud; seejuures võib kõrge reaktsioonimomendiga tagasiööki tekkida. Tehke ohutusjuhiseid arvesse võttes kindlaks ja kõrvaldage rakendustööriista blokeerumise põhjus.

Selle võimalikeks põhjusteks võivad olla:

- viitu asetumine töödeldavas toorikus
- töödeldava materjali läbimurdamine
- elektritööriista ülekoormamine

Ärge sisestage jäsemeid töötavasse masinasse.

Rakendustööriist võib kasutamise ajal kuumaks minna.

TÄHELEPANU! Põletusohu

- tööriista vahetamisel
- seadme ärapanemisel

EÜ VASTAVUSAVALDUS

Me deklareerime ainuisikuliselt vastutades, et lõigus "Tehnilised andmed" kirjeldatud toode vastab direktiivide 2011/65/EU (RoHS), 2014/30/EU, 2006/42/EU kõigile olulistele tähtsusega eeskirjadele ning järgmistele harmoniseeritud normatiivsetele dokumentidele:

EN 62841-1:2015
 EN 62841-2-11:2016
 EN 55014-1:2017
 EN 55014-2:2015
 EN 50581:2012

Winnenden, 2018-03-31



Alexander Krug

Managing Director

On volitatud koostama tehnilist dokumentatsiooni.

Techtronic Industries GmbH

Max-Eyth-Straße 10

71364 Winnenden

Germany



KOORMUSEST SÕLTUV MOOTORIKAITSE

mootori suure ülekoormuse korral lülitub sisse ülekoormuskaitse. Töö jätkamiseks lülitada masin välja ning seejärel uuesti sisse.

SUJUUVKÄIVITUS

Turvaliseks käsitsemiseks mõeldud elektrooniline sujuvkäivitus takistab masina järsku käivitumist sisselülitamisel.

AKUD

Pikemat Milwaukeea mittekasutatud akusid laadige veel enne kasutamist.

Temperatuur üle 50 °C vähendab vahetatava aku töövoimet. Vältige pikemat soojenemist päikese või kütteseadme mõjul.

Hoidke laadija ja vahetatava aku ühenduskontaktid puhtad.

Optimaalse patarei eluaja tagamiseks, pärast kasutamist lae patareiplokk täielikult.

Akud tuleks võimalikult pika kasutusea saavutamiseks pärast täislaadimist laadijast välja võtta.

Aku ladustamisel üle 30 päeva:

Ladustage akut kuivas kohas u 27°C juures.

Ladustage akut u 30-50% laetusesisundis.

Laadige aku iga 6 kuu tagant täis.

AKU KOORMUSKAITSE

Akuplokk on varustatud koormuskaitsega, mis kaitseb akut üleilgse koormuse eest ning kindlustab selle pika eluaja.

Äärmiselt suurest koormusest annab märku vilkuv töötil. Kui koormust ei vähendata, siis lülitab masin ennast automaatselt välja. Edasi töötamiseks tuleb masin välja ja uuesti sisse lülitada. Kui masin ei lähe uuesti tööle on akuplokk nähtavasti tühi ja tuleks laadimiseseadmega uuesti täis laadida.

LIITIUMIOONAKUDE TRANSPORTIMINE

Liitiumioonakud on allutatud ohtlike ainete transportimisega seonduvatele õigusaktidele.

Nende akude transportimine peab toimuma kohalikest, siseriiklikest ja rahvusvahelistest eeskirjadest ning määrustest kinni pidades.

- Tarbijad tohivad neid akusid edasiste piiranguteta tänaval transportida.
- Liitiumioonakude kommentranspord ekspedeerimisettevõtete kaudu on allutatud ohtlike ainete transportimisega seonduvatele õigusaktidele. Tarne-ettevalmistusi ja transpordi tohivad teostada eranditult vastavalt koollitatud isikud. Kogu protsessi tuleb asjatundlikult jälgida.

Akude transportimisel tuleb järgida järgmisi punkte:

- Tehke kindlaks, et kontaktid on lühiste vältimiseks kaitstud ja isoleeritud.
- Pöörake tähelepanu sellele, et akupakk ei saaks pakendis nihkuda.
- Kahjustatud või välja voolanud akusid ei tohi kasutada.

Pöörduge edasiste juhiste saamiseks ekspedeerimisettevõtte poole.

HOOLDUS

Hoidke masina õhutusplud alati puhtad.

Kasutage ainult Milwaukee tarvikuid ja tagavaraosi. Detailid, mille väljavahetamist pole kirjeldatud, laske välja vahetada Milwaukee klienteenduspunkts (vaadake brošüüri garantii / klienteenduste aadressid).

Vajaduse korral võite tellida seadme läbilõikejoonise, näidates ära masina tüübi ja andmesildi oleva numbr. Selleks pöörduge klienteenduspunkti või otse: Techtronic Industries GmbH, Max-Eyth-Straße 10, 71364 Winnenden, Germany.

SÜMBOLID

	ETTEVAATUST! TÄHELEPANU! OHUD!
	Enne kõiki töid masina kallal võtke vahetatav aku välja.
	Palun lugege enne käikukaskmist kasutusjuhend hoolikalt läbi.
	Masinaga töötades kandke alati kaitseprille.
	Kanda kaitsekindaid!
	Kandke kaitseks kõrvaklappe!
	Tarvikud - ei kuulu tarne komplekti, soovitatav täiendus on saadaval tarvikute programmis.
	Elektriseadmeid, patareisid/akusid ei tohi utiliseerida koos majapidamisprügiga. Elektriseadmed ja akud tuleb eraldi kokku koguda ning kõrvaldada keskkonnasõbralikult moel töötlemiskeskusesse. Küsige infot jäätmekäitlusjaamade ja kogumispunktide kohta oma kohalike ametnike või edasimüüja käest.
	Käikude arv tühjooksul
	Pinge
	Alalisvool
	Euroopa vastavusmärk
	Ukraina vastavusmärk
	Euraasia vastavusmärk

ТЕХНИЧЕСКИЕ ДАННЫЕ	АКК. ЛОБЗИК	M18 FJS
Серийный номер изделия	4692 59 01... ...000001-999999	
Вольтаж аккумулятора.....	18 V	
Частота хода без нагрузки	0-3500 min ⁻¹ (+/- 10%)	
Длина хода.....	25 mm	
Наклонное пиление до.....	45°	
Макс. глубина резки в:		
Дерево.....	100 mm	
Алюминий.....	19 mm	
Стали.....	10 mm	
Вес согласно процедуре EPTA 01/2014 (2,0 Ah - 12,0 Ah).....	2,63 - 3,69 kg	
Рекомендованная температура окружающей среды во время работы.....	-18...+50 °C	
Рекомендованные типы аккумуляторных блоков.....	M18B2... M18B9, M18HB12	
Рекомендованные зарядные устройства.....	M12-18 ... ; M1418C6	

Информация по шумам/вибрации

Значения замерялись в соответствии со стандартом EN 62841.	
Уровень шума прибора, определенный по показателю A, обычно составляет:	
Уровень звукового давления (Небезопасность K=3dB(A))	
Уровень звуковой мощности (Небезопасность K=3dB(A))	88,68 dB (A)
Пользуйтесь приспособлениями для защиты слуха.	99,68 dB (A)

Общие значения вибрации (векторная сумма трех направлений) определены в соответствии с EN 62841.

Пиление дерева *1	
Значение вибрационной эмиссии a _w	21,25 m/s ²
Небезопасность K=.....	1,5 m/s ²
Пиление листового металла *2	
Значение вибрационной эмиссии a _w	17,34 m/s ²
Небезопасность K=.....	1,5 m/s ²

*1 с пыльным полотном BIM, размер 100 x 7,5 x 1,0 mm, шаг зубьев 2,5 mm

*2 с пыльным полотном BIM, размер 75 x 7,5 x 1,0 mm, шаг зубьев 1,8 mm

ВНИМАНИЕ

Указанный в настоящем руководстве уровень вибрации измерен в соответствии с технологией измерения, установленной стандартом EN 62841 и может использоваться для сравнения электроинструментов друг с другом. Он также подходит для предварительной оценки вибрационной нагрузки.

Указанный уровень вибрации представляет основные виды использования электроинструмента. Но если электроинструмент используется для других целей, используемый инструмент отклоняется от указанного или техническое обслуживание было недостаточным, то уровень вибрации может отклоняться от указанного. В этом случае вибрационная нагрузка в течение всего периода работы значительно увеличивается.

Для точной оценки вибрационной нагрузки необходимо также учитывать время, в течение которого прибор отключен или включен, но фактически не используется. В этом случае вибрационная нагрузка в течение всего периода работы может существенно уменьшиться.

Установите дополнительные меры безопасности для защиты пользователя от воздействия вибрации, например: техническое обслуживание электроинструмента и используемого инструмента, поддержание рук в теплом состоянии, организация рабочих процессов.

ВНИМАНИЕ! Ознакомьтесь со всеми предупреждениями относительно безопасного использования, инструкциями, иллюстративным материалом и техническими характеристиками, поставляемыми с этим электроинструментом. Несоблюдение всех нижеприведенных инструкций может привести к поражению электрическим током, пожару и/или тяжелым травмам. **Сохраняйте эти инструкции и указания для будущего использования.**

УКАЗАНИЯ ПО БЕЗОПАСНОСТИ ДЛЯ НОЖОВОЧНЫХ ПИЛ

Если Вы выполняете работы, при которых режущий инструмент может зацепить скрытую электропроводку кабель, инструмент следует держать за специально предназначенные для этого изолированные поверхности.

Контакт режущего инструмента с токоведущим проводом может ставить под напряжение металлические части прибора, а также приводит к удару электрическим током.

Используйте струбцину или другие целесообразные вспомогательные средства, чтобы закрепить обрабатываемое изделие на устойчивой основе. Если вы держите обрабатываемое изделие в руке или придерживаете его корпусом, оно может сдвинуться, что приведет к потере контроля.

Используйте наушники! Воздействие шума может привести к потере слуха.

ДОПОЛНИТЕЛЬНЫЕ УКАЗАНИЯ ПО БЕЗОПАСНОСТИ И РАБОТЕ

Пользоваться средствами защиты. Работать с инструментом всегда в защитных очках. Рекомендуется спецоджда: пылезастыная маска, защитные перчатки, прочная и нескользящая обувь, каска и наушники.

Пыль, возникающая при работе данным инструментом, может нанести вред здоровью. Не следует допускать ее попадания в организм. Надевайте противопылевой респиратор.

Запрещается обрабатывать материалы, которые могут нанести вред здоровью (напр., асбест).

При блокировании используемого инструмента немедленно выключить прибор! Не включайте прибор до тех пор, пока используемый инструмент заблокирован, в противном случае может возникнуть отдача с высоким реактивным моментом. Определите и устраните причину блокирования используемого инструмента с учетом указаний по безопасности.

Возможными причинами могут быть:

- перекос заготовки, подлежащей обработке

- разрушение материала, подлежащего обработке
- перегрузка электроинструмента

Не прикасаться к работающему станку.

Используемый инструмент может нагреваться во время применения.

ВНИМАНИЕ! Опасность получения ожога

- при смене инструмента
- при укладывании прибора

Не убирайте опилки и обломки при включенном инструменте.

При работе в стенах, потолках или полу следите за тем, чтобы не повредить электрические кабели или водопроводные трубы.

Зафиксируйте вашу заготовку с помощью соответствующего приспособления. Незафиксированные заготовки могут привести к тяжелым травмам и повреждениям.

Не используйте треснувшие или погнутые полотна пилы.

Врезание без предварительного высверливания отверстий возможно в мягких материалах (дерево, легких строительных материалах для стен). В более твердых материалах (металле) необходимо сначала просверлить отверстия, соответствующие размеру пыльного полотна.

Выньте аккумулятор из машины перед проведением с ней каких-либо манипуляций. Не выбрасывайте использованные аккумуляторы вместе с домашним мусором и не сжигайте их. Дистрибьюторы компании Milwaukee предлагают восстановление старых аккумуляторов, чтобы защитить окружающую среду.

Не храните аккумуляторы вместе с металлическими предметами во избежание короткого замыкания.

Не допускается попадания каких-либо металлических предметов в аккумуляторный отсек зарядного устройства во избежание короткого замыкания.

Для зарядки аккумуляторов модели M18 используйте только зарядным устройством M18. Не заряжайте аккумуляторы других систем.

Никогда не вскрывайте аккумуляторы или зарядные устройства и храните их только в сухих помещениях. Следите, чтобы они всегда были сухими.

Аккумуляторная батарея может быть повреждена и дать течь под воздействием чрезмерных температур или повышенной нагрузки. В случае контакта с аккумуляторной кислотой немедленно промойте место контакта мылом и водой. В случае попадания кислоты в глаза промойте глаза в течении 10 минут и немедленно обратитесь за медицинской помощью.

Предупреждение! Для предотвращения опасности пожара в результате короткого замыкания, травм и повреждения изделия не опускайте инструмент, сменный аккумулятор или зарядное устройство в жидкости и не допускайте попадания жидкости внутрь устройств или аккумуляторов. Коррозийные и проводящие жидкости, такие как соленый раствор, определенные химикаты, отбеливающие средства или содержащие их продукты, могут привести к короткому замыканию.

ИСПОЛЬЗОВАНИЕ

Этот лобзик может пилить дерево, пластик и металл; он может пилить по прямой, под наклоном, по кривой и делать внутренние вырезы.

Не пользуйтесь данным инструментом способом, отличным от указанного для нормального применения.

ДЕКЛАРАЦИЯ О СООТВЕТСТВИИ СТАНДАРТАМ ЕС

Мы заявляем под собственную ответственность, что изделие, описанное в разделе "Технические характеристики", соответствует всем важным предписаниям Директивы 2011/65/EU (Директива об ограничении применения опасных веществ в электрических и электронных приборах), 2014/30/EU, 2006/42/ЕС и приведенным далее гармонизированным нормативным документам:

EN 62841-1:2015

EN 62841-2-11:2016

EN 55014-1:2017

EN 55014-2:2015

EN 50581:2012

Winnenden, 2018-03-31



Alexander Krug
Managing Director

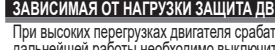
Уполномочен на составление технической документации.

Techtronic Industries GmbH

Max-Eyth-Straße 10

71364 Winnenden

Germany



ЗАВИСИМАЯ ОТ НАГРУЗКИ ЗАЩИТА ДВИГАТЕЛЯ

При высоких перегрузках двигателя срабатывает защита от перегрузок. Для дальнейшей работы необходимо выключить и снова включить машину.

ПЛАВНЫЙ СТАРТ

Плавный старт для безопасной работы предотвращает резкое включение инструмента.

АККУМУЛЯТОР

Перед использованием аккумулятора, которым не пользовались некоторое время, его необходимо зарядить.

Температура свыше 50°C снижает работоспособность аккумуляторов. Избегайте продолжительного нагрева или прямого солнечного света (риск перегрева).

Контакты зарядного устройства и аккумулятора должны содержаться в чистоте.

Для обеспечения оптимального срока службы аккумулятор необходимо полностью заряжать после использования прибора.

Для достижения максимально возможного срока службы аккумуляторы после зарядки следует вынимать из зарядного устройства.

При хранении аккумулятора более 30 дней:

Храните аккумулятор при 27°C в сухом месте.

Храните аккумулятор с зарядом примерно 30% - 50%.

Каждые 6 месяцев аккумулятор следует заряжать.

ЗАЩИТА АККУМУЛЯТОРА ОТ ПЕРЕГРУЗКИ

Аккумуляторный блок оснащен предохранителем от перегрузки, который защищает аккумулятор от перегрузки и обеспечивает долгий срок службы. При чрезмерно сильных нагрузках электроника аккумулятора автоматически отключит машину. Для продолжения работы машину выключить и снова включить. Если машина не включается, то, возможно, разрядился аккумуляторный блок и следует зарядить его в зарядном устройстве.

ТРАНСПОРТИРОВКА ЛИТИЙ-ИОННЫХ АККУМУЛЯТОРОВ

Литий-ионные аккумуляторы в соответствии с предписаниями закона транспортируются как опасные грузы.

Транспортировка этих аккумуляторов должна осуществляться с соблюдением местных, национальных и международных предписаний и положений.

- Эти аккумуляторы могут перевозиться по улице потребителем без дальнейших обязательств.
- При коммерческой транспортировке литий-ионных аккумуляторов экспедиторскими компаниями действуют положения, касающиеся транспортировки опасных грузов. Подготовка к отправке и транспортировка должны производиться исключительно специально обученными лицами. Весь процесс должен находиться под контролем специалиста.

При транспортировке аккумуляторов необходимо соблюдать следующие пункты:

- Убедитесь, что контакты защищены и изолированы во избежание короткого замыкания.
- Следите за тем, чтобы аккумуляторный блок не соприкоснулся внутри упаковки.

- Транспортировка поврежденных или протекающих аккумуляторов запрещена.

За дополнительными указаниями обратитесь к своему экспедитору.

ОБСЛУЖИВАНИЕ

Всегда держите охлаждающие отверстия чистыми.

Пользуйтесь аксессуарами и запасными частями только фирмы Milwaukee. В случае возникновения необходимости в замене, которая не была описана, пожалуйста, обращайтесь на один из сервисных центров (см. список наших гарантийных/сервисных организаций).

При необходимости может быть заказан чертеж инструмента с трехмерным изображением деталей. Пожалуйста, укажите номер и тип инструмента и закажите чертеж у Ваших местных агентов или непосредственно у Techtronic Industries GmbH, Max-Eyth-Straße 10, 71364 Winnenden, Germany.

СИМВОЛЫ



ВНИМАНИЕ! ПРЕДУПРЕЖДЕНИЕ! ОПАСНОСТИ!



Выньте аккумулятор из машины перед проведением с ней каких-либо манипуляций.



Пожалуйста, внимательно прочтите инструкцию по использованию перед началом любых операций с инструментом.



При работе с инструментом всегда надевайте защитные очки.



Надевать защитные перчатки!



Пользуйтесь приспособлениями для защиты слуха.



Принадлежности - В стандартную комплектацию не входит, поставляется в качестве дополнительной принадлежности.



Электроприборы, батареи/аккумуляторы запрещено утилизировать вместе с бытовым мусором. Электрические приборы и аккумуляторы следует собирать отдельно и сдавать в специализированную компанию для утилизации в соответствии с нормами охраны окружающей среды. Получите в местных органах власти или у вашего специализированного дилера сведения о центрах вторичной переработки и пунктах сбора.



Число оборотов без нагрузки



Напряжение



Европейский знак соответствия



Украинский знак соответствия



Евразийский знак соответствия

ТЕХНИЧЕСКИ ДАННИ АККУМУЛАТОРЕН ПРОБОДЕН ТРИОН		M18 FJS
Производствен номер.....	4692 59 01000001-999999
Напрежение на акумулатора	18 V	
Честота на движение на триончето на празен ход	0-3500 min ⁻¹ (+/- 10%)	
Височина на хода	25 mm	
Рязане под ъгъл до	45°	
Макс. дълбочина на рязане в:		
Дърво	100 mm	
Алуминий	19 mm	
Стомана	10 mm	
Тегло съгласно процедурата EPTA 01/2014 (2,0 Ah - 12,0 Ah).....	2,63 - 3,69 kg	
Препоръчителна околна температура при работа	-18...+50 °C	
Препоръчителни видове акумулаторни батерии.....	M18B2... M18B9, M18HB12	
Препоръчителни зарядни устройства	M12-18 ... ; M1418C6	

Информация за шума/вибрациите

Измерените стойности са получени съобразно EN 62841.

Оцененото с A ниво на шума на уреда е съответно:

Равнище на звуковото налягане (Несигурност K=3dB(A))

Равнище на мощността на звука (Несигурност K=3dB(A))

Да се носи предпазно средство за слуха!

Общите стойности на вибрациите (векторна сума на три посоки) са определени в съответствие с EN 62841.

Рязане на дърво *1

Стойност на емисии на вибрациите a_h

Несигурност K=.....

Рязане на метална ламарина *2

Стойност на емисии на вибрациите a_h

Несигурност K=.....

*1 с режещ лист BIM, размер 100 x 7,5 x 1,0 mm и стъпка на зъбите 2,5 mm

*2 с режещ лист BIM, размер 75 x 7,5 x 1,0 и стъпка на зъбите 1,8 mm

ВНИМАНИЕ

Посоченото в тези инструкции ниво на вибрациите е измерено в съответствие със стандартизиран в EN 62841 измервателен метод и може да се използва за сравнение на електрически инструменти помежду им. Подходящ е и за временна оценка на вибрационното натоварване.

Посоченото ниво на вибрациите представя основните приложения на електрическия инструмент. Ако обаче електрическият инструмент се използва с друго предназначение, с различни сменяеми инструменти или при недостатъчна техническа поддръжка, нивото на вибрациите може да е различно. Това чувствително може да увеличи вибрационното натоварване по време на целия работен цикъл.

За точната оценка на вибрационното натоварване трябва да се вземат предвид и периодите от време, в които уредът е изключен или работи, но в действителност не се използва. Това чувствително може да намали вибрационното натоварване по време на целия работен цикъл.

Определете допълнителни мерки по техника на безопасност в защита на обслужващия работник от въздействието на вибрациите като например: техническа поддръжка на електрическия инструмент и сменяемите инструменти, поддържане на ръцете топли, организация на работния цикъл.

▲ ВНИМАНИЕ! Прочетете всички указания за безопасност, инструкции, илюстрации и спецификации за този електроинструмент. Несоблюдение всех нижеприведенных инструкций может привести к поражению электрическим током, пожару и/или тяжёлым травмам.

Сохраняйте эти инструкции и указания для будущего использования.

▲ ИНСТРУКЦИЯ ЗА БЕЗОПАСНОСТ ЗА ПРОБОДНИ ТРИОНИ.

Дръжте уреда за изолираните ръкохватки, когато извършвате работи, при които режещият инструмент може да засегне скрити електроинсталационни кабели.

Контактът на режещия инструмент с тоководещ проводник може да предаде напрежението върху метални части на уреда и да доведе до токов удар.

Използвайте резбови стъги или други практични спомогателни средства, за да закрепите детайла върху стабилна основа. Ако детайлът се държи с ръка или поддържа с тяло, то той може да се измести и това да доведе до загуба на контрол.

Носете средство за защита на слуха. Въздействието на шума може да предизвика загуба на слуха.

ДОПЪЛНИТЕЛНИ УКАЗАНИЯ ЗА РАБОТА И БЕЗОПАСНОСТ

Да се използват предпазни средства. При работа с машината винаги носете предпазни очила. Препоръчват се защитно облекло и прахозащитна маска, защитни ръкавици, здрави и нехлъзгащи се обувки, каска и предпазни средства за слуха.

Прахът, който се образува при работа, често е вреден за здравето и не бива да попада в тялото. Да се носи подходяща прахозащитна маска.

Не е разрешена обработката на материали, които представляват опасност за здравето (напр. азбест).

Ако използваният инструмент блокира, изключете веднага уреда! Не включвайте уреда отново, докато използваният инструмент е блокиран; това би могло да доведе до откат с висока реактивна сила. Открийте и отстранете причината за блокирането на използвания инструмент имайки в предвид инструкциите за безопасност.

Възможните причини за това могат да бъдат:

- Заклинване в обработваната част
- Пробиване на материала
- Пренатоварване на електрическия инструмент

Не бъркайте в машината, докато тя работи.

Използваният инструмент може да загрее по време на употреба.

ВНИМАНИЕ! Опасност от изгаряния

- при смяна на инструмента
- при оставяне на уреда

Стружи или отчупени парчета да не се отстраняват, докато машина работи.

При работа в стени, тавани или подове внимавайте за кабели, газопроводи и водопроводи.

Закрепете обработваната част с устройство за захващане. Незакрепени части за обработка могат да причинят сериозни наранявания и материални щети.

Да не се използват напукани режещи листови или такви, които са се деформирали!

Рязане с потъване на триона е възможно само при по-меки материали (дърво, леки строителни материали за стени), а при по-твърди материали (метали) трябва да се направи голям отвор съобразно режещия лист.

Преди започване на каквито е да е работи по машината извадете акумулатора.

Не извърляйте изхваните акумулатори в огъня или в при битовите отпадъци. Milwaukee предлага екологосъобразно събиране на старите акумулатори; моля попитайте Вашия специализиран търговец.

Не съхранявайте акумулаторите заедно с метални предмети (опасност от късо съединение).

В гнездото за акумулатори на зарядните устройства не бива да попадат метални части (опасност от късо съединение).

Акумулатори от системата M18 да се зареждат само със зарядни устройства от системата M18 laden. Да не се зареждат акумулатори от други системи.

Не отваряйте акумулатори и зарядни устройства и ги съхранявайте само в сухи помещения. Пазете ги от влага.

При екстремно натоварване или екстремна температура от повредени акумулатори може да изтече батерийна течност. При допир с такава течност веднага измийте с вода и сапун. При контакт с очите веднага изплаквайте старателно най-малко 10 минути и незабавно потърсете лекар.

Предупреждение! За да избегнете опасността от пожар, предизвикана от късо съединение, както и нараняванията и повредите на продукта, не потапяйте инструмента, сменяемата акумулаторна батерия или зарядното устройство в течности и се погрижете в уредите и акумулаторните батерии да не попадат течности. Течностите, предизвикващи корозия или провеждащи електричество, като солена вода, определени химикали, изобилващи вещества или продукти, съдържащи изобилващи вещества, могат да предизвикат късо съединение.

ИЗПОЛЗВАНЕ ПО ПРЕДНАЗНАЧЕНИЕ

Прободният трион реже дърво, пластмаса и метал. Той реже по права линия, под ъгъл и по крива линия и прави вътрешни изрези.

Този уред може да се използва по предназначение само както е посочено.

СЕ - ДЕКЛАРАЦИЯ ЗА СЪОТВЕТСТВИЕ

Заявявам под собствена отговорност, че описаният в "Технически данни" продукт съответства на всички важни разпоредби на директива 2011/65/EU (RoHS), 2014/30/EU, 2006/42/EO, както и на всички следващи нормативни документи във тази връзка.

EN 62841-1:2015

EN 62841-2:11-2016

EN 55014-1:2017

EN 55014-2:2015

EN 50581:2012

Winnenden, 2018-03-31

Alexander Krug
Managing Director

Упълномощен за съставяне на техническата документация

Techtronic Industries GmbH

Max-Eyth-Straße 10

71364 Winnenden

Germany

ЗАЩИТА НА ДВИГАТЕЛЯ В ЗАВИСИМОСТ ОТ НАТОВАРВАНЕТО

При високо натоварване на двигателя се активира защитата от претоварване. За да продължите работа изключете машината и след това отново я включете.

ПЛАВНИЯТ СТАРТ

Плавният старт, осигурен от електрониката за сигурно манипулиране с машината, предотвратява при включване появата на тласъци при задействането на машината.

АКУМУЛАТОРИ

Акумулатори, които не са ползвани по-дълго време, преди употреба да се дозарядят.

Температура над 50°C намалява мощността на акумулатора. Да се избягва по-продължително нагряване на слънце или от отопление.

Поддържайте чисти присъединителните контакти на зарядното устройство и на акумулатора.

За оптимална продължителност на живот след употреба батериите трябва да се заредят напълно.

За възможно по-дълга продължителност на живот батериите трябва да се изваждат от уреда след зареждане.

При съхранение на батериите за повече от 30 дни: съхранявайте батерията при прибл. 27°C и на сухо място. Съхранявайте батерията при 30 до 50 % от заряда. Заредвайте батерията на всеки 6 месеца.

ЗАЩИТА ОТ ПРЕТОВАРВАНЕ НА БАТЕРИЯТА

Акумулаторният пакет е оборудван със защита против претоварване, която защитава акумулатора от претоварване и гарантира дълъг експлоатационен живот.

При извънредно силно натоварване електрониката на акумулатора автоматично изключва машината. За продължаване на работата изключете и отново включете машината. Ако машината не може да се пусне наново, може би акумулаторният пакет е разреден и трябва отново да се зареди в зарядното устройство.

ПРЕВОЗ НА ЛИТИЕВО-ЙОННИ БАТЕРИИ

Литиево-йонните батерии са предмет на законите разпоредби за превоз на опасни товари.

Превозът на тези батерии трябва да се извършва в съответствие с местните, националните и международните разпоредби и регламенти.

- Потребителите могат да превозват тези батерии по пътя без допълнителни изисквания.
- Превозът на литиево-йонни батерии от транспортни компании е предмет на законите разпоредбите за превоз на опасни товари. Подготовката на превоза и самият превоз трябва да се извършват само от обучени лица. Целият процес трябва да е под професионален надзор.

Спазвайте следните изисквания при превоз на батерии:

- Уверете се, че контактите са защитени и изолирани, за да се избегне късо съединение.
- Уверете се, че няма опасност от разместване на батерията в опаковката.
- Не превозвайте повредени батерии или такива с течове.

Обърнете се към Вашата транспортна компания за допълнителни инструкции.

ПОДДРЪЖКА

Вентилационните шлицы на машината да се поддържат винаги чисти.

Да се използват само аксесоари на Milwaukee и резервни части на. Елементи, чията подмяна не е описана, да се дадат за подмяна в сервис на Milwaukee (вижте брошурата "Гаранция и адреси на сервиси").

При необходимост можете да поискате за уреда от Вашия сервис или директно от Techtronic Industries GmbH, Max-Eyth-Straße 10, 71364 Winnenden, Germany, чертеж за в случай на експлозия, като посочите типа на машината и номер върху заводската табелка.

СИМВОЛИ



ВНИМАНИЕ! ПРЕДУПРЕЖДЕНИЕ! ОПАСНОСТ



Преди започване на каквито е да е работи по машината извадете акумулатора.



Преди пускане на уреда в действие моля прочетете внимателно инструкцията за използване.



При работа с машината винаги носете предпазни очила.



Да се носят предпазни ръкавици!



Да се носи предпазно средство за слуха!



Аксесоари - Не се съдържат в обема на доставката, препоръчвано допълнение от програмата за аксесоари.



Електрическите уреди, батерии/акумулаторни батерии не трябва да се изхвърлят заедно с битовите отпадъци. Електрическите уреди и акумулаторни батерии трябва да се събират раздельно и да се предават на службите за рециклиране на отпадъците според изискванията за опазване на околната среда. Информирайте се при местните служби или при местните специализирани търговци относно местата за събиране и центровете за рециклиране на отпадъци.



Честота на движение на триончето на празен ход



Напрежение



Европейски знак за съответствие



Украински знак за съответствие



Евро-азиатски знак за съответствие

DATE TEHNICE	FERĂSTRĂU PENDULAR CU ACUMULATOR	M18 FJS
Număr producție.....	4692 59 01...	..000001-999999
Tensiune acumulator	18 V	
Cursa în gol:	0-3500 min ⁻¹ (+/- 10%)	
Lungimi de cursă.....	25 mm	
Tăiere oblică până la	45°	
Adâncimea max. de tăiere:		
Lemn	100 mm	
Aluminiu.....	19 mm	
Oțel.....	10 mm	
Greutatea conform „EPTA procedure 01/2014” (2,0 Ah - 12,0 Ah).....	2,63 - 3,69 kg	
Temperatura ambiantă recomandată a efectuarea lucrărilor	-18...+50 °C	
Acumulatori recomandați.....	M18B2... M18B9, M18HB12	
Încărcătoare recomandate.....	M12-18 ... ; M1418C6	

Informație privind zgomotul/vibrațiile

Valori măsurate determinate conform EN 62841.

Nivelul de zgomot evaluat cu A al aparatului este tipic de:

Nivelul presiunii sonore (Nesiguranță K=3dB(A))..... 88,68 dB (A)

Nivelul sunetului (Nesiguranță K=3dB(A))..... 99,68 dB (A)

Purtați căști de protecție

Valorile totale de oscilație (suma vectorială pe trei direcții) determinate conform normei EN 62841.

Tăiere de lemn *1

Valoarea emisiei de oscilații a..... 21,25 m/s²

Nesiguranță K=..... 1,5 m/s²

Tăiere de tablă din metal *2

Valoarea emisiei de oscilații a..... 17,34 m/s²

Nesiguranță K=..... 1,5 m/s²

*1 cu lame BIM pentru fierăstrău mărimea 100 x 7,5 x 1,0 mm și dențite (nr. dinți/țol) 2,5 mm

*2 cu lame BIM pentru fierăstrău mărimea 75 x 7,5 x 1,0 și dențite (nr. dinți/țol) 1,8 mm

AVERTISMENT

Gradul de oscilație indicat în prezentele instrucțiuni a fost măsurat în conformitate cu o procedură de măsurare normată prin norma EN 62841 și poate fi folosit pentru a compara unelte electrice între ele. El se pretează și pentru o evaluare provizorie a solicitării la oscilații.

Gradul de oscilație indicat reprezintă aplicațiile principale ale uneltelor electrice. În cazul în care însă uneltele electrice au fost folosite pentru alte aplicații, ori au fost folosite unelte de muncă diferite ori acestea nu au fost supuse unei suficiente inspecții de întreținere, gradul de oscilație poate fi diferit. Acest fapt poate duce la o creștere netă a solicitărilor la oscilații de-a lungul întregii perioade de lucru.

În scopul unei evaluări exacte a solicitării la oscilații, urmează să fie luate în considerație și perioadele de timp în care aparatul a fost oprit ori funcționează dar, în realitate, el nu este folosit în mod practic. Acest fapt poate duce la o reducere netă a solicitărilor la oscilații de-a lungul întregii perioade de lucru.

Stabiliți măsuri de siguranță suplimentare în scopul protecției utilizatorului de efectele oscilațiilor, de exemplu: inspecție de întreținere a uneltelor electrice și a celor de muncă, păstrarea caldă a mâinilor, organizarea proceselor de muncă.

A AVERTISMENT A se citi toate avertismentele, instrucțiunile, ilustrațiile și specificațiile privind siguranța furnizate cu această unealtă electrică.

Nerespectarea tuturor instrucțiunilor listate mai jos poate cauza șocuri electrice, incendii și/sau vătămări corporale grave.

Păstrați toate indicațiile de avertizare și instrucțiunile în vederea utilizării viitoare.

A INDICAȚII DE SIGURANȚĂ PENTRU TĂIEREA CU FERĂSTRĂUA COADĂ DE ȘOARECE

Țineți aparatul de mânerle izolate când executați lucrări la care scula tăietoare poate nimeri peste conductori electrici ascunși.

Intrarea în contact a sculei tăietoare cu o linie electrică prin care circula curent poate pune sub tensiune și componente metalice ale aparatului și să ducă la electrocutare.

Folosiți menghine sau alte mijloace ajutătoare practice în vederea fixării piesei de prelucrat pe un suport stabil. Dacă piesa este ținută cu mâna sau rezemată prin contraacțiune cu corpul, ea poate aluneca din poziția de lucru, pierzându-se controlul asupra ei.

Purtați aparatoare de urechi. Expunerea la zgomot poate produce pierderea auzului.

INSTRUCȚIUNI SUPLIMENTARE DE SIGURANȚĂ ȘI DE LUCRU

Folosiți echipament de protecție . Purtați întotdeauna ochelari de protecție când lucrați cu mașina . Se recomandă utilizarea hainelor de protecție ca de ex. Măști contra prafului, mănuși de protecție, încălțăminte stabilă nealunecoasă, cască și apărătoare de urechi.

Praful care apare când se lucrează cu această sculă poate fi dăunător sănătății și prin urmare nu trebuie să atingă corpul. Purtați o mască de protecție corespunzătoare împotriva prafului.

Nu se admite prelucrarea unui material care poate pune în pericol sănătatea operatorului (de exemplu azbestul).

La blocarea sculei demontabile vă rugăm să deconectați imediat aparatul! Nu conectați aparatul atâta timp cât scula demontabilă este blocată; dacă o faceți, s-ar putea să se producă un recul cu un cuplu mare de reacție. Găsiți și remediați cauza de blocare a sculei demontabile respectând indicațiile pentru siguranță.

Cauzele posibile pot fi:

- Agățarea în piesa de prelucrat
- Străpungerea materialului de prelucrat

- Suprasolicitarea sculei electrice

Nu atingeți părțile mașinii aflate în rotație.

Scula introdusă poate să devină fierbinte în timpul utilizării.

AVERTISMENT! Pericol de arsuri

- la schimbarea sculei
- la depunerea aparatului

Rumegeușul și spanul nu trebuie îndepărtate în timpul funcționării mașinii.

Când se lucrează pe pereți, tavan sau dușumea, aveți grijă să evitați cablurile electrice și țevile de gaz sau de apă.

Asigurați piesa de prelucrat cu un dispozitiv de fixare. Piesele neasigurate pot provoca accidentări grave și stricăciuni.

Nu folosiți lame de ferăstrău crăpate sau deformate.

Tăieri de adâncime fără efectuarea prealabilă a unei găuri sunt posibile cu materiale moi (lemn, materiale ușoare de construcție pentru pereți). Materialele mai dure (metale) trebuie întâi să fie perforate cu o gaură care corespunde dimensiunii lamei ferăstrăului.

Îndepărtați acumulatorul înainte de începerea lucrului pe mașina

Nu aruncați acumulatorii uzați la containerul de rezidui menajere și nu îi ardeți. Milwaukee Distributors se oferă să recupereze acumulatorii vechi pentru protecția mediului înconjurător.

Nu depozitați acumulatorul împreună cu obiecte metalice (risc de scurtcircuit)

Nu se permite introducerea nici unei piese metalice în locașul pentru acumulator al încărcătorului. (risc de scurtcircuit)

Folosiți numai încărcătoare System M18 pentru încărcarea acumulatorilor System M18. Nu folosiți acumulatori din alte sisteme.

Nu deschideți niciodată acumulatorii și încărcătoarele și pastrați-le numai în încăperi uscate. Pastrați-le întotdeauna uscate .

Acidul se poate scurge din acumulatorii deteriorați la încălziri sau temperaturi extreme. În caz de contact cu acidul din acumulator, spălați imediat cu apă și săpun. În caz de contact cu ochii, clătiți cu atenție timp de cel puțin 10 minute și apălați imediat la ingrijire medicală.

Avertisment! Pentru a reduce pericolul unui incendiu și evitarea r/niilor sau deteriorarea produsului în urma unui scurtcircuit nu imersați scula, acumulatorul de schimb sau înc/rotorul în lichide și asigurați-v/și nu p/trund/ lichide în aparate și acumulatori. Lichidele

corosive sau cu conductibilitate, precum apa s/rat/, anumite substane chimice i în/ lbitori sau produse ce conin în/lbitori, pot provoca un scurtcircuit.

CONDIȚII DE UTILIZARE SPECIFICATE

Acest ferăstrău pendular taie lemn, materiale plastice și metale . El poate tăia linii drepte, oblice, curbe și poate face tăieturi interne.

Nu utilizați acest produs în alt mod decât cel stabilit pentru utilizare normală

DECLARAȚIE DE CONFORMITATE

Declarăm pe propria răspundere că produsul descris la "Date tehnice" este în concordanță cu toate prevederile legale relevante ale Directivei 2011/65/EU (RoHS), 2014/30/UE, 2006/42/CE și cu următoarele norme armonizate:

EN 62841-1:2015
EN 62841-2-11:2016
EN 55014-1:2017
EN 55014-2:2015
EN 50581:2012

Winnenden, 2018-03-31

Alexander Krug

Alexander Krug
Managing Director

Împuternicit să elaboreze documentația tehnică.

Techtronic Industries GmbH
Max-Eyth-Straße 10
71364 Winnenden
Germany



PROTECȚIE A MOTORULUI ÎN FUNCȚIE DE SARCINĂ

În cazul suprasolicitării motorului se declanșează protecția contra suprasolicitării. Pentru a putea continua munca opriți mașina și reporniți-o apoi

MOALE DE PORNIRE

Pornirea electronică lină pentru economie previne funcționarea sacadata a mașinii.

ACUMULATORI

Acumulatorii care nu au fost utilizați o perioadă de timp trebuie reîncărcați înainte de utilizare.

Temperatura mai mare de 50°C (122°F) reduce performanța acumulatorului. Evitați expunerea prelungită la căldură sau radiație solară (risc de supraîncălzire)

Contactele încărcătoarelor și acumulatorilor trebuie păstrate curate.

În scopul optimizării duratei de funcționare, bateriile trebuie reîncărcate complet după utilizare.

Pentru o durată de viață cât mai lungă, acumulatorii ar trebui scoși din încărcător după încărcare.

La depozitarea acumulatorilor mai mult de 30 zile:

Acumulatorii se depozitează la cca. 27°C și la loc uscat.

Acumulatorii se depozitează la nivelul de încărcare de cca. 30%-50%.

Acumulatorii se încarcă din nou la fiecare 6 luni.

PROTECȚIE SUPRAÎNCĂRCARE ACUMULATOR

Bateria de acumulare este dotată cu o protecție anti-suprasarcină, care protejează acumulatorul împotriva supraîncărcării și îi asigură o durată îndelungată de viață.

În cazul unei solicitări extrem de ridicate, sistemul electronic al acumulatorului decuplează mașina în mod automat. Pentru continuarea lucrului, mașina trebuie decuplată și apoi cuplată din nou. Dacă mașina nu pornește, este posibil ca bateria de acumulare să fie descărcată, trebuind reîncărcată în aparatul de încărcare.

TRANSPORTUL ACUMULATORILOR CU IONI DE LITIU

Acumulatorii cu ioni de litiu cad sub incidența prescripțiilor legale pentru transportul de mărfuri periculoase.

Transportul acestor acumulatorii trebuie să se efectueze cu respectarea prescripțiilor și reglementărilor pe plan local, național și internațional.

- Consumatorilor le este permis transportul rutier nerestricționat al acestui tip de acumulatori.
- Transportul comercial al acumulatorilor cu ioni de litiu prin intermediul firmelor de expediție și transport este supus reglementărilor transportului de mărfuri periculoase. Pregătirile pentru expediție și transport au voie să fie efectuate numai de către personal instruit corespunzător. Întregul proces trebuie asistat în mod competent.

Următoarele puncte trebuie avute în vedere la transportul acumulatorilor:

- Pentru a se evita scurtcircuitul, asigurați-vă de faptul că sunt protejate și izolate contactele.
- Aveți grijă ca pachetul de acumulatori să nu poată aluneca în altă poziție în interiorul ambalajului său.
- Este interzis transportarea unor acumulatori deteriorați sau care pierd lichid.

Pentru indicații suplimentare adresați-vă firmei de expediție și transport cu care colaborați.

INTREȚINERE

Fantele de aerisire ale mașinii trebuie să fie menținute libere tot timpul

Utilizați numai accesorii și piese de schimb Milwaukee. Dacă unele din componente care nu au fost descrise trebuie înlocuite , vă rugăm contactați unul din agenții de service Milwaukee (vezi lista noastră pentru service / garanție)

Dacă este necesară, se poate comanda o imagine descompusă a sculei. Vă rugăm menționați numărul art. Precum și tipul mașinii tipărit pe etichetă și comandați desenul la agenții de service locali sau direct la Techtronic Industries GmbH, Max-Eyth-Straße 10, 71364 Winnenden, Germany.

SIMBOLURI



PERICOL! AVERTIZARE! ATENȚIE!



Îndepărtați acumulatorul înainte de începerea lucrului pe mașina



Vă rugăm citiți cu atenție instrucțiunile înainte de pornirea mașinii



Purtați întotdeauna ochelari de protecție când utilizați mașina.



Purtați mănuși de protecție!



Purtați căști de protecție



Accesorii - Nu este inclus în echipamentul standard , disponibil ca accesoriu



Aparatele electrice, bateriile/acumulatorii nu se elimină împreună cu deșeurile menajere. Aparatele electrice și acumulatorii se colectează separat și se predau la un centru de reciclare, în vederea eliminării ecologice. Informați-vă de la autoritățile locale sau de la comercianții acreditați în legătură cu centrele de reciclare și de colectare.



Cursa în gol



Tensiune



Curent continuu



Marcă de conformitate europeană



Marcă de conformitate ucraineană



Marcă de conformitate eurasiatică

ТЕХНИЧКИ ПОДАТОЦИ	УБОДНА ПИЛА НА БАТЕРИИ	M18 FJS
Произведен број.....	4692 59 01... ...000001-999999	
Волтажа на батеријата.....	18 V	
Ударен момент при не оптовареност (на слободно).....	0-3500 min ⁻¹ (+/- 10%)	
Должина на удар.....	25 mm	
Дијагонален- кос рез до.....	45°	
Максимална длабочина на сечење во:		
Дрво.....	100 mm	
Алуминиум.....	19 mm	
Челик.....	10 mm	
Тежина според ЕПТА-процедурата 01/2014 (2,0 Ah - 12,0 Ah).....	2,63 - 3,69 kg	
Препорачана температура на околната при работа.....	-18...+50 °C	
Препорачани типови на акумулаторски батерии.....	M18B2... M18B9, M18HB12	
Препорачани полначи.....	M12-18 ... ; M1418C6	

Информација за бучавата/вибрациите

Измерените вредности се одредени согласно стандардот EN 62841.

A-оценетото ниво на бучава на апаратот типично изнесува:

Ниво на звучен притисок. (Несигурност K=3dB(A))..... 88,68 dB (A)

Ниво на јачина на звук. (Несигурност K=3dB(A))..... 99,68 dB (A)

Носте штитник за уши.

Вкупни вибрациски вредности (векторски збир на трите насоки) пресметани согласно EN 62841.

Метали *1

Вибрациска емисиона вредност ah..... 21,25 m/s²

Несигурност K..... 1,5 m/s²

Дрво *2

Несигурност K..... 17,34 m/s²

Вибрациска емисиона вредност ah..... 1,5 m/s²

*1 со лист B1M, големина 100 x 7,5 x 1,0 мм и растојание помеѓу забите 2,5 мм

*2 со лист B1M, големина 75 x 7,5 x 1,0 мм и растојание помеѓу забите 1,8 мм

ПРЕДУПРЕДУВАЊЕ

Нивото на осцилација наведено во овие инструкции е измерено во согласност со мерните постапки нормирани во EN 62841 и може да биде употребено за меѓусебна споредба на електро-алати. Ова ниво може да се употреби и за привремена проценка на оптоварувањето на осцилацијата.

Наведено ниво на осцилација ги репрезентира главните намени на електро-алатот. Но, доколку електро-алатот се употребува за други намени, со отстапувачки додатоци или со несоодветно одржување, нивото на осцилација може да отстапи. Тоа може значително да го зголеми оптоварувањето на осцилацијата за време на целиот работен период.

За прецизна проценка на оптоварувањето на осцилацијата предвид треба да бидат земени и времињата, во коишто апаратот е исклучен или работи, но фактички не се употребува. Тоа може значително да го намали оптоварувањето на осцилацијата за време на целиот работен период.

Утврдете дополнителни безбедносни мерки за заштита на операторот од влијанието на осцилациите, како на пример: одржување на електро-алатот и на додатоци кои електро-алатот, одржување топли раце, организација на работните процеси.

▲ ПРЕДУПРЕДУВАЊЕ! Прочитајте ги сите безбедносни упатства, инструкции, илустрации и спецификации за овој електричен алат. Недоследно почитување на подолу наведените упатства може да предизвика електричен удар, пожар и/или сериозни повреди. **Чувајте ги сите предупредувања и упатства за употреба.**

▲ НАПОМЕНИ ЗА БЕЗБЕДНОСТ ЗА УБОДНИ ПИЛИ

Држете го електричниот алат за издадените површини при изведување на операции при кои алатот за сечење можат да дојдат во контакт со скриени жици.

Контакт со жица под напон исто така ќе направи проводници од металните делови и оној кој ракува со алатот ќе доживее струен удар.

Употребувајте спајалка за навртување или други практични помошни средства, за да го зацврстите делот што се обработува на стабилна подлога. Со држење на делот што се обработува со рака или негово притискање со телото, делот може да се лизне, а тоа може да доведе до губење на контролата.

Носете штитник за уши. Изложеноста на бука може да предизвика губење на слухот.

ОСТАНАТИ БЕЗБЕДНОСНИ И РАБОТНИ УПАТСТВА

Употребувајте заштитна опрема. При работа со машината постојано носете заштитни очила. Се препорачува заштитна облека како: маска за заштита од прашина, заштитни ракавици, цврсти чевли што не се лизгаат, кацига и заштита за уши.

Пршината која се создава при користење на овој алат може да биде штетна по здравјето. Не ја вдишувајте. Носете соодветна заштитна маска.

Не смеат да бидат обработувани материјали кои што можат да го загрозат здравјето (на пр. азбест).

Доколку употребуваното орудие се блокира, молиме веднаш да се исклучи апаратот! Не го вклучувајте апаратот повторно додека употребуваното орудие е блокирано, притоа би можело да дојде до повратен удар со висок момент на реакција. Испитајте и отстранете ја причината за блокирањето на употребеното орудие имајќи ги во предвид напоемите за безбедност.

Можни причини би можеле да се:

- Заканување во парчето кое што се обработува
- Косење поради продирање на материјалот кој што се обработува
- Преоптоварување на електричното орудие

Не фаќајте во машината кога работи.

Употребеното орудие за време на примената може да стане многу жешко.

ПРЕДУПРЕДУВАЊЕ! Опасност од изгоретини

- при менување на орудието
- при ставање на апаратот на страна

Прашината и струтините не смеат да се одстрануваат додека е машината работи.

Кога работите на сидови, таван или под внимувајте да ги избегнете електричните, гасните и водоводни инсталации.

Обезбедете го предметот кој што го обработувате со направа за напон. Необезбедени парчиња кои што се обработуваат можат да предизвикаат тешки повреди и оштетувања.

Не користете скршени или изобличени сечила.

Убодни резови без претходно дупчење се возможны кај меки материјали (дрво, лесни градежни материјали за сидови). Кај поцврсти материјали (метали) мора првин да се направи дупка која ќе одговара на димензијата на пилата.

Извадете го батерискиот склоп пред отпочнување на каков и да е зафат врз машината.

Не ги оставајте искористените батерии во домашниот отпад и не горете ги. Дистрибутерите на Милвоки ги собираат старите батерии, со што ја штитат нашата околина.

Не ги чувајте батериите заедно со метални предмети (ризик од краток спој).

Метални парчиња не смеат да навлезат во делот за полнење на батерија (ризик од краток спој).

Користете исклучиво Систем M18 за полнење на батерии од M18 систем. Не користете батериите од друг систем.

Не ги отворајте насилно батериите и полначите, и чувајте ги само на суво место.

Чувајте ги постојано суви.

Киселината од оштетените батериите може да истече при екстреман напон или температури. Доколку дојдете во контакт со исатата, измијте се веднаш со сапун и вода. Во случај на контакт со очите планките ги убаво најмалку 15 минути и задолжително одете на лекар.

Предупредување! За да избегнете опасноста од пожар, од наранувања или од оштетување на производот, којшто го создава краток спој, не ја потопувајте во течност алатката, заменливата батерија или полначот и газете во уредите и во батериите да не проникнуваат течности. Корозивни или електростроводливи течности, како солена вода, одредени хемикалии, избелувачки препарати или

производи кои содржат избелувачки супстанции, можат да предизвикаат краток спој.

СПЕЦИФИЦИРАНИ УСЛОВИ НА УПОТРЕБА

Оваа убодна пила сече дрво, пластика и метал; може да сече прави линии, кривини и внатрешни отсечоци.

Не го користете овој производ на било кој друг начин освен пропишаниот за нормална употреба.

ЕУ-ДЕКЛАРАЦИЈА ЗА СООБРАЗНОСТ

Во своја сопствена одговорност изјавуваме дека под "Технички податоци" опишаниот производ е во склад со сите релевантни прописи од регулативата 2011/65/EU (RoHS), 2014/30/EU, 2006/42/EC и следните хармонизирачки нормативни документи:

EN 62841-1:2015

EN 62841-2:11:2016

EN 55014-1:2017

EN 55014-2:2015

EN 50581:2012

Winnenden, 2018-03-31

Alexander Krug

Alexander Krug

Managing Director

Ополномоштен за составување на техничката документација.

Technronic Industries GmbH

Max-Eyth-Straße 10

71364 Winnenden

Germany

МОТОРНА ЗАШТИТА ШТО ЗАВИСИ ОД ОПТОВАРУВАЊЕТО

При високо оптоварување на моторот се активира заштитата од преоптоварување. За да продолжите со работа исклучете ја машината и вклучете ја повторно.

МАЗЕН СТАРТ

Електронски контролиран мазен старт за безбедно користење кој штити од почетното нагло задвижување на машината.

БАТЕРИИ

Подолг период неупотребувани комплекти батерии да се наполнат пред употреба. Температура повисока од 50°C (122°F) го намалуваат траењето на батериите. Избегнувајте подолго изложување на батериите на високи температури или сонце (ризик од прегревање).

Клемите на полначот и батериите мора да бидат чисти.

За оптимален работен век батериите мора да се наполнат целосно по употреба. За можно подолг век на траење, апаратите после нивното полнење треба да бидат извадени од апаратот за полнење на батериите.

Во случај на складирање на батеријата подолго од 30 дена: Акумулаторот да се чува на температура од приближно 27°C и на суво место. Акумулаторот да се складира на приближно 30%-50% од состојбата на наполнетост.

Акумулаторот повторно да се наполни на секои 6 месеци.

ЗАШТИТА ОД ПРЕОПТЕРЕТУВАЊЕ НА БАТЕРИЈАТА

Батериското пакување е опремено со заштита од преоптоварување што ја штити батеријата од преоптоварување и обезбедува долг работен век.

При екстремно висок степен на употреба, електрониката на батеријата автоматски ја исклучува машината. За да продолжите со работа исклучете ја машината и вклучете ја повторно. Доколку машината не се вклучи повторно, можно е батериското пакување да е испразнето. Тогаш тоа ќе мора да биде наполнето во апаратот за полнење.

ТРАНСПОРТ НА ЛИТИУМ-ЈОНСКИ БАТЕРИИ

Литиум-јонските батерии подлежат на законските одредби за транспорт на опасни материји.

Транспортот на овие батерии мора да се врши согласно локалните, националните и меѓународните прописи и одредби.

- Потрошувачите на овие батерии може да вршат непречен патен транспорт на истите.
- Комерцијалниот транспорт на литиум-јонски батерии од страна на шведтерски претпријатија подлежат на одредбите за транспорт на опасни материји. Подготовките за шпецијали и транспорт треба да ги вршат исклучиво соодветно обучени лица. Целокупниот процес треба да биде стручно надгледуван.

При транспортот на батерии треба да се внимава на следното:

- Осигурајте се дека контактите се заштитени и изолирани, а сето тоа со цеп да се избегнат кратки споеви.
- Внимувајте да не дојде до измествување на батериите во нивната амбалажа.
- Забранет е транспорт на оштетените или протечени литиум-јонски батерии.

За понатамошни инструкции обратете се до Вашето шведтерско претпријатие.

ОДРЖУВАЊЕ

Вентилациските отвори на машината мора да бидат комплетно отворени постојано.

Користете само Milwaukee додатоци и резервни делови. Доколку некои од компонентите кои не се опишани треба да бидат заменети, Ве молиме контактирајте ги сервисните агенти на Milwaukee (консултирајте ја листата на адреси).

Доколку е потребно можно е да биде набавен детален приказ на алатот. Ве молиме наведете го бројот на артиклот како и типот на машина кој е отпечатен на етикетата и порачајте ја скицата кај локалниот застапник или директно кај: Technronic Industries GmbH, Max-Eyth-Straße 10, 71364 Winnenden, Germany.

СИМБОЛИ



ВНИМАНИЕ! ПРЕДУПРЕДУВАЊЕ! ОПАСНОСТ!



Извадете го батерискиот склоп пред отпочнување на каков и да е зафат врз машината.



Ве молиме пред да ја стартувате машината обрнете внимание на упатствата за употреба.



Секогаш при користење на машината носете ракавици.



Носете ракавици!



Носте штитник за уши.



Дополнителна опрема - Не е вклучена во стандардната, а достапна е како додаток.



Електричните апарати и батериите што се полнат не смеат да се фрлат заедно со домашниот отпад. Електричните апарати и батериите треба да се собираат одделно и да се однесат во соодветниот погон заради нивно фрлање во склад со начелата за заштита на околината. Информирајте се кај Вашите местни служби или кај специјализиранот трговски претставник, каде има такви погони за рециклажа и собираи материји.



Ударен момент при не оптовареност (на слободно)



Волти



Европска ознака за сообразност



Украинска ознака за сообразност



Евроазиска ознака за сообразност

ТЕХНІЧНІ ХАРАКТЕРИСТИКИ	АКУМУЛЯТОРНИЙ ЛОБЗИК	M18 FJS
Номер виробу.....	4692 59 01... ...000001-999999	
Напруга змінної акумуляторної батареї.....	18 V	
Споживана потужність.....	0-3500 min ⁻¹ (+/- 10%)	
Висота ходу.....	25 mm	
Навсисні розрізи до.....	45°	
Глибина різання макс. в:		
Деревина.....	100 mm	
Алюміній.....	19 mm	
Сталь.....	10 mm	
Вага згідно з процедурою ЕРТА 01/2014 (2,0 Ah - 12,0 Ah).....	2,63 - 3,69 kg	
Рекомендована температура довкілля під час роботи.....	-18...+50 °C	
Рекомендовані типи акумуляторів.....	M18B2... M18B9, M18HB12	
Рекомендовані зарядні пристрої.....	M12-18 ... ; M1418C6	

Шум / інформація про вібрацію

Виміряні значення визначені згідно з EN 62841.

Рівень шуму "А" приладу становить в типовому випадку:

Рівень звукового тиску (похибка К = 3 дБ(А))..... 88,68 dB (A)

Рівень звукової потужності (похибка К = 3 дБ(А))..... 99,68 dB (A)

Використовувати засоби захисту органів слуху!

Сумарні значення вібрації (векторна сума трьох напрямків), встановлені згідно з EN 62841.

Пилляння деревини *1

Значення вібрації а..... 21,25 m/s²

похибка К = 1,5 m/s²

Пилляння металевого листа *2:

Значення вібрації а..... 17,34 m/s²

похибка К = 1,5 m/s²

*1 з пилковим полотном ВІМ, розмір 100 x 7,5 x 1,0 мм, крок зубів 2,5 мм

*2 з пилковим полотном ВІМ, розмір 75 x 7,5 x 1,0 мм, крок зубів 1,8 мм

ПОПЕРЕДЖЕННЯ!

Рівень вібрації, вказаний в цій інструкції, вимірювався згідно з методом вимірювання, нормованим стандартом EN 62841, і може використовуватися для порівняння електроінструментів. Він призначений також для попередньої оцінки навантаження від вібрації.

Вказаний рівень вібрації відповідає основним сферам використання електроінструменту. Але якщо електроінструмент використовується для іншої мети, з іншими вставними інструментами або при недостатньому технічному обслуговуванні, рівень вібрації може бути іншим. Це може значно підвищити навантаження від вібрації за весь період роботи.

Для точної оцінки навантаження від вібрації необхідно також враховувати час, коли прилад вимкнений або увімкнений, але фактично не використовується. Це може значно зменшити навантаження від вібрації за весь період роботи.

Визначте додаткові заходи безпеки для захисту оператора від дії вібрації, наприклад: Технічне обслуговування електроінструменту та вставних інструментів, зігрівання рук, організація робочих процесів.

⚠ УВАГА! Ознайомитись з усіма попередженнями з безпечного використання, інструкціями, ілюстративним матеріалом та технічними характеристиками, які надаються з цим електричним інструментом. Недотримання всіх наведених нижче інструкцій може призвести до ураження електричним струмом, пожежі та/або важких травм.

Зберігати всі попередження та інструкції для використання в майбутньому.

⚠ ВКАЗІВКИ З ТЕХНІКИ БЕЗПЕКИ ДЛЯ ЛОБЗИКІВ

Під час виконання робіт тримайте прилад за напівовані поверхні рукояток, якщо вставний інструмент може натратити на приховані електричні лінії. Контакт з лінією під напругою може призвести до появи напруги в металевих частинах приладу та до ураження електричним струмом.

Закріплити і зафіксувати заготовку в лещатах або іншим способом на стабільній основі. Якщо ви утримуєте заготовку тільки рукою або притискаєте до тіла, вона залишається рухомою, що може призвести до втрати контролю.

Користуйтеся засобами захисту органів слуху. Вплив шуму може спричинити втрату слуху.

ДОДАТКОВІ ІНСТРУКЦІЇ З ТЕХНІКИ БЕЗПЕКИ ТА ЕКСПЛУАТАЦІЇ

Використовуйте індивідуальні засоби захисту. Під час роботи з машиною завжди носити захисні окуляри. Радіо використовувати захищений одяг, як наприклад маску для захисту від пилу, захисні рукавиці, міцне та нековане взуття, каску та засоби захисту органів слуху.

Пил, що утворюється під час роботи, часто буває шкідливим для здоров'я; він не повинен потрапляти в організм. Носити відповідну маску для захисту від пилу. Не можна обробляти матеріали, небезпечні для здоров'я (наприклад, азбест).

При блокуванні вставного інструменту негайно вимкнути прилад! Не вмикайте прилад, якщо вставний інструмент заблокований; при цьому може виникати віддача з високим зворотним моментом. Визначити та усунути причину блокування вставного інструменту з урахуванням вказівок з техніки безпеки.

Можливі причини:

- Перекіс в заготовці, що обробляється
- Пробивання оброблюваного матеріалу
- Перевантаження електроінструмента

Частини тіла не повинні потрапляти в машину, коли вона працює.

Вставний інструмент може нагріватися під час роботи.

ПОПЕРЕДЖЕННЯ! Небезпека опіків

- при замінні інструменту

Цей прилад можна використовувати тільки за призначенням так, як вказано в цьому документі.

СЕРТИФІКАТ ВІДПОВІДНОСТІ ВИМОГАМ ЄС

Ми заявляємо на власну відповідальність, що вироб, описаний в „Технічних даних“, відповідає всім застосованим положенням директиви 2011/65/EU (RoHS), 2014/30/EU, 2006/42/EG, та наступним гармонізованим нормативним документам:

EN 62841-1:2015

EN 62841-2-11:2016

EN 55014-1:2017

EN 55014-2:2015

EN 50561:2012

Winnenden, 2018-03-31

Alexander Krug

Alexander Krug
Managing Director

Уповноважений із складання технічної документації.

Techtronic Industries GmbH

Max-Eyth-Straße 10

71364 Winnenden

Germany

ЗАХИСТ ДВИГУНА ЗАЛЕЖНО ВІД НАВАНТАЖЕННЯ

При сильному перевантаженні двигуна спрацює захист від перевантаження. Для продовження роботи вимкнути і знову увімкнути машину.

ПЛАВНИЙ ПУСК

Електронний плавний пуск для безпечної роботи запобігає при увімкненні різкому розгону машини.

АКУМУЛЯТОРНІ БАТАРЕЇ

Зніму акумуляторну батарею, що не використовується тривалий час, перед використанням необхідно підзарядити.

Температура понад 50 °C зменшує потужність змінної акумуляторної батареї. Уникати тривалого нагрівання сонячними променями або системою обігріву.

З'єднувальні контакти зарядного пристрою та змінної акумуляторної батареї повинні бути чистими.

Для забезпечення оптимального строку експлуатації акумуляторні батареї після використання необхідно повністю зарядити.

Для забезпечення максимально можливого терміну експлуатації акумуляторні батареї після зарядки необхідно виймати з зарядного пристрою.

Під час роботи на стіпах, стелях або підлозі звертати увагу на електричні кабелі, газові та водопровідні лінії.

Зафіксувати заготовку в затискному пристрої. Незакріплені заготовки можуть привести до тяжких травм та пошкоджень.

Пилкові полотна з тріщинами або деформовані диски використовувати не можна! Пилляння з зануренням можливе тільки для м'яких матеріалів (деревина, легкі будівельні матеріали для стін), для твердіших матеріалів (метали) необхідно використовувати отвір, який відповідає пилковому полотну.

Перед будь-якими роботами на машині вийняти змінну акумуляторну батарею

Відпрацьовані змінні акумуляторні батареї не можна кидати у вогонь або викидати з побутовими відходами. Milwaukee пропонує утилізацію старих змінних акумуляторних батарей, безпечно для довкілля; зверніться до свого дилера. Не зберігати змінні акумуляторні батареї разом з металевими предметами (небезпека короткого замикання).

В гніздо зарядного пристрою, яке призначене для встановлення змінної акумуляторної батареї, не повинні потрапляти металеві деталі (небезпека короткого замикання).

Змінні акумуляторні батареї системи GBS заряджати лише зарядними пристроями системи GBS . Не заряджати акумуляторні батареї інших систем.

Не відкривати змінні акумуляторні батареї і зарядні пристрої та зберігати їх лише в сухих приміщеннях. Беретти від вологи.

При екстремальному навантаженні або при екстремальній температурі з пошкодженої змінної акумуляторної батареї може вилітати електродіт. При потрапленні електродіту на шкіру його негайно необхідно змити водою з милом. При потрапленні в очі їх необхідно негайно ретельно промити, щонайменше 10 хвилин, та негайно звернутися до лікаря.

Попередження! Для запобігання небезпеці пожежі в результаті короткого замикання, травмам і пошкодженню виробів не занурюйте інструмент, змінний акумулятор або зарядний пристрій у рідину і не допускайте потраплення рідини всередину пристроїв або акумуляторів. Корозійні і струмопровідні рідини, такі як сопоновий розчин, певні хімікати, вибілювальні засоби або продукти, що їх містять, можуть призвести до короткого замикання.

ВИКОРИСТАННЯ ЗА ПРИЗНАЧЕННЯМ

Лобзик різє деревину, полімерний матеріал та метали. Він різє різні лінії, скоси, криві та внутрішні розрізи.

ОБСЛУГОВУВАННЯ

Завжди підтримувати чистоту вентиляційних отворів.

Використовувати комплектуючі та запчастини тільки від Milwaukee. Деталі, заміна яких не описується, замінювати тільки в відділі обслуговування клієнтів Milwaukee (звернути увагу на брошуру "Гарантія / адреси сервісних центрів").

У разі необхідності можна запросити креслення з зображенням вузлів машини в перспективному вигляді, для цього потрібно звернутися в ваш відділ обслуговування клієнтів або безпосередньо в Techtronic Industries GmbH, Max-Eyth-Straße 10, 71364 Winnenden, Німеччина, та вказати тип машини та шестизначний номер на фірмовій табличці з даними машини.

СИМВОЛИ



УВАГА! ПОПЕРЕДЖЕННЯ! НЕБЕЗПЕЧНО!



Перед будь-якими роботами на машині вийняти змінну акумуляторну батарею



Уважно прочитайте інструкцію з експлуатації перед введенням приладу в дію.



Під час роботи з машиною завжди носити захисні окуляри.



Носити захисні рукавиці!



Використовувати засоби захисту органів слуху!



Комплектуючі - не входять в обсяг постачання, рекомендовані доповнення з програми комплектуючих.



Електроприлади, батареї/акумулятори заборонено утилізувати разом з побутовим сміттям.

Електричні прилади і акумулятори слід збирати окремо і здавати в спеціалізовану компанію для утилізації відповідно до норм охорони довкілля. Зверніться до місцевих органів або до вашого дилера, щоб отримати адреси пунктів вторинної переробки та пунктів прийому.



Споживана потужність



Напруга



Постійний струм



Європейський знак відповідності



Український знак відповідності



Євразійський знак відповідності

Copyright 2018
Techtronic Industries GmbH
Max-Eyth-Straße 10
71364 Winnenden
Germany
+49 (0) 7195-12-0



(08.18)

4931 4149 80