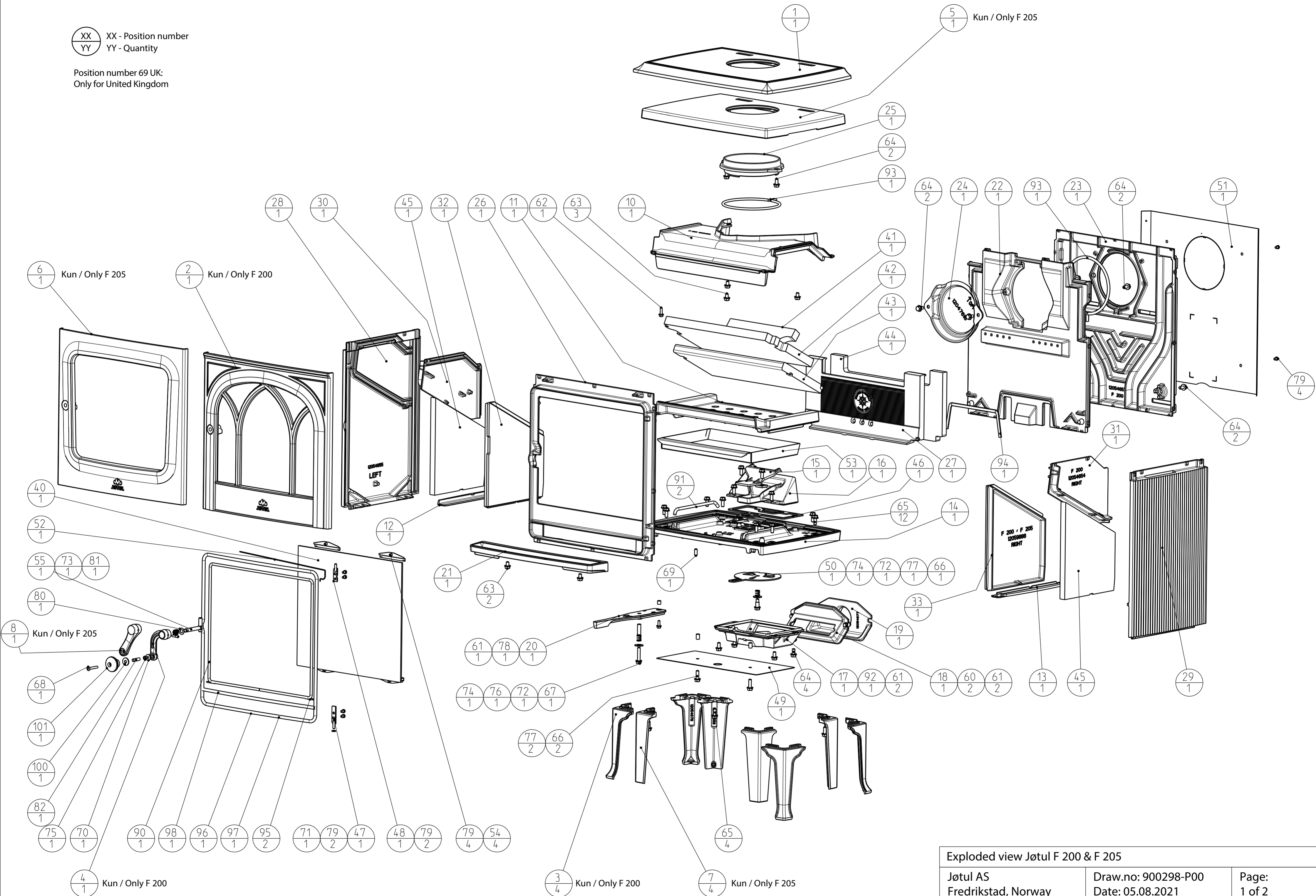


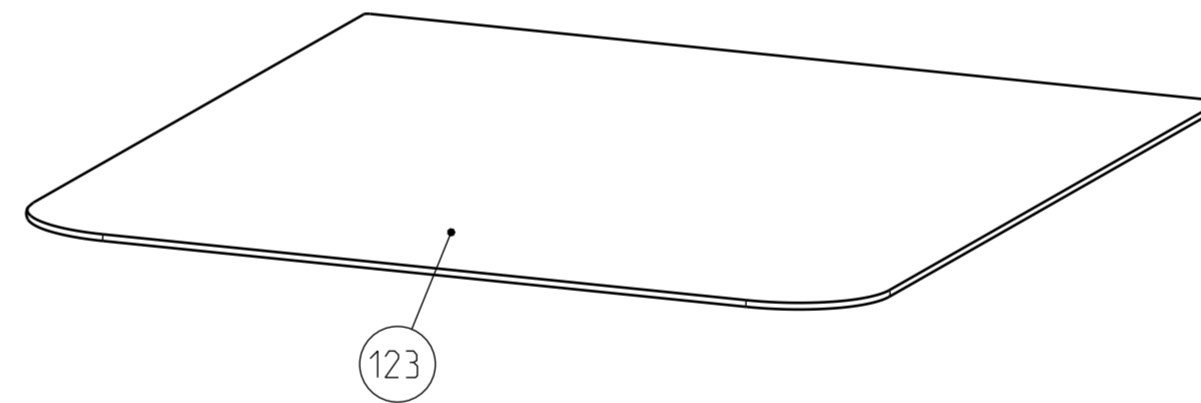
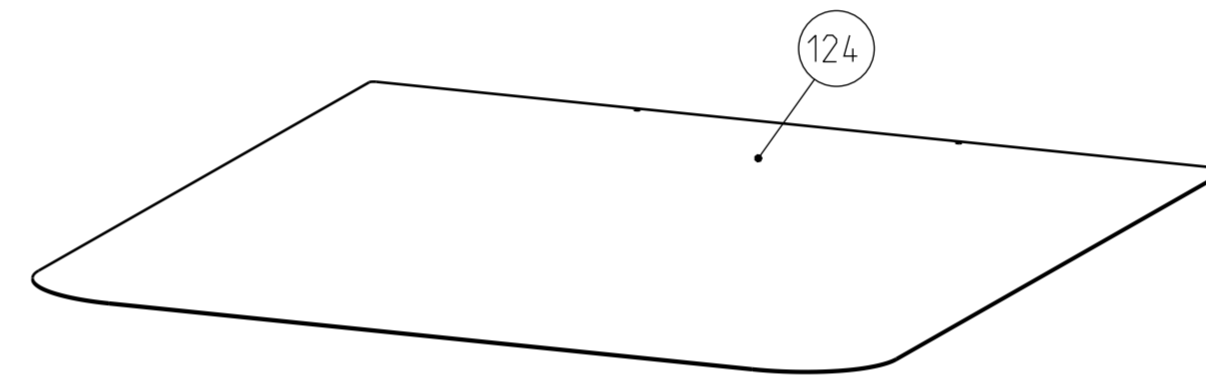
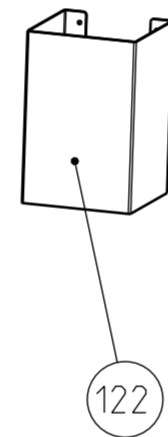
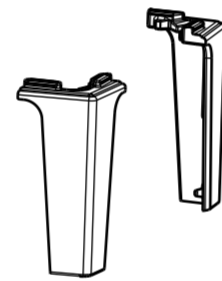
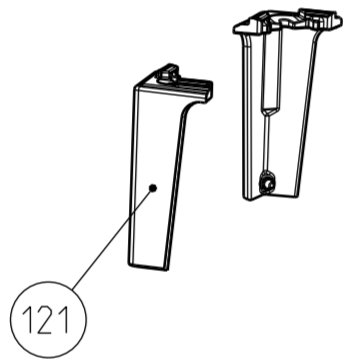
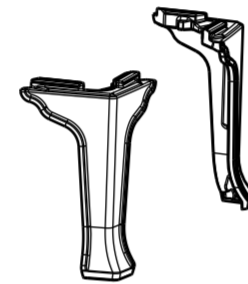
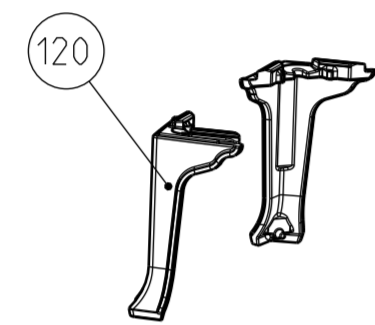
XX XX - Position number  
 YY YY - Quantity

Position number 69 UK:  
 Only for United Kingdom



Exploded view Jøtul F 200 & F 205

# Tilleggsutstyr / Accessories



## Jøtul F 200 / F 205

F 205 BP: Cat No 30054649, F 200 BP: Cat No 30054641

BP: Sort Lakk / Black Paint

<i>Pos. no.</i>	<i>Sparepart.no</i>	<i>Benevnelse</i>	<i>Description</i>	<i>Dim./Spec.</i>
1	12061864	Topp plate F 200	Top Plate F 200	Cast Iron
2	12061832	DØR KOMPL U/GLASS F 200 BP	DOOR COMPLETE WO/GL. F 200	Cast Iron
3	12061834	Ben F 200	Legs F 200	Cast Iron
4	12017311	Dør handtak F 200	Latch F3-F100-F400-F500	Cast Iron
5	12061865	Top plate F 205	Top Plate F 205	Cast Iron
6	12061833	DØR KOMPL U/GLASS F 205 BP	DOOR COMPLETE WO/GL. F 205	Cast Iron
7	12061835	Ben F 205	Legs F 205	Cast Iron
8	12061879	Dør handtak F 205	Door Handle F205	Cast Iron
10	12061264	Kanal top F 200 / F 205	Channel Top F 200	Cast Iron
11	12061290	Fyr bunn F 200 / F 205	Inner Bottom F 200	Cast Iron
12	12061288	Fyrbunn list venstre F 200 / F 205	In. Bottom List Left F 200	Cast Iron
13	12061289	Fyrbunn list høyre F 200 / F 205	In. Bottom List Right F 200	Cast Iron
14	12061866	Bunnplate F 200 / F 205	Bottom Plate F 200	Cast Iron
15	12061255	Inspeksjonsluke F 200 / F 205	Inspection Lid F 200	Cast Iron
16	12061254	Distribusjonsboks F 200 / F 205	Distribution Box F 200	Cast Iron
17	12061867	Deksel bunnplate F 200 / F 205	Cover Bottom Plate F 200	Cast Iron
18	12061868	Mellomstykke luft kobling F 200 / F 205	Spacer Air Connection F200	Cast Iron
19	12061869	Utelufttilkobling F 200 / F 205	External Air Supply F200	Cast Iron
20	12061870	Ventil hendel F 200 / F 205	Valve Handle F 200	Cast Iron
21	12061871	Askeleppe F 200 / F 205	Ash Lip F 200	Cast Iron
22	12061228	Inder bakplate F 200 / F 205	Inner Back Plate F 200	Cast Iron
23	12061872	Bakplate F 200 / F 205	Back Plate F 200	Cast Iron
24	12048110	Røykhullsdeksel BP	Smoke Outlet Cover BP	Cast Iron
25	12018871	Røkstuss	Smoke Outl Ø150 F270/370/470	Cast Iron
26	12061873	Frontplate F 200 / F 205	Front Plate F 200	Cast Iron
27	12061876	Brennplate bak F 200 / F 205	Burnplate Back F200	Cast Iron
28	12061874	Sidestykke F 200 / F 205	Side Plate Left F 200	Cast Iron
29	12061875	Sidestykke F 200 / F 205	Side Plate Right F 200	Cast Iron
30	12061267	Innvendig deksel venstre F 200 / F 205	Internal Cover Left F 200	Cast Iron
31	12061268	Innvendig deksel høyre F 200 / F 205	Internal Cover Right F 200	Cast Iron
32	12061877	Brennplate ventre F 200 / F 205	Burnplate Left F200	Cast Iron
33	12061878	Brennplate høyre F 200 / F 205	Burnplate Right F200	Cast Iron
40	10054687	Glass dør F 200 / F 205	Glass Door F 200	4mm ceramic glass
41	10061034	Øvre ledeplate F 200 / F 205	F 200 Exhaust Deflector Upper	Wermiculite
42	10061034	Nedre ledeplate F 200 / F 205	F 200 Exhaust Deflector Lower	Wermiculite
43	10061034	Hvelv F 200 / F 205	Lower Baffel Plate F 200	Wermiculite
44	10054694	Isolasjonsmatte bak F 200 / F 205	Insulation Mat Back F 200	Superwool
45	10054695	Isolasjonsmatte side F 200 / F 205	Insulation Mat Side F 200	Superwool

# Jøtul F 200 / F 205

F 205 BP: Cat No 30054649, F 200 BP: Cat No 30054641

BP: Sort Lakk / Black Paint

Pos. no.	Sparepart.no	Benevnelse	Description	Dim./Spec.
46	10054689	Pakning bunnplate F 200 / F 205	Gasket Bottom Plate F 200	Superwool
47	10054691	Hengsel øvre F 200 / F 205	Hinge Lower F 200	Steel
48	10054688	Hengsel nedre F 200 / F 205	Hinge Upper F 200	Steel
49	10061020	Skjermplate nedre F 200 / F 205	Heatshield Under F 200	Steel
50	10054690	Ventil plate F 200 / F 205	Valve Plate F 200	Steel
51	10058572	Skjermplate bak F 200 / F 205	Heatshield Back F 200	Steel
52	10061088	Fjør dør F 200 / F 205	F 200 Spring Door Hinge 2Mm	Steel
53	10047095	Askeskuff F 200 / F 205	Ash Pan	Steel
54	12020930	GLASSKLIPS FOR GLASS J3	Glassclip For No 3/8/100/500	Steel
55	10024515	STENGEJERN JØTUL F 500/100	STENGEJERN JØTUL F 500/100	Steel
60	10023666	MUTTER 6K M/FL M6 ST8,8 FOSFAT	NUT HEX CAP FL M6 ST8.8 PHOS	Steel
61	10023541	SKR 6K M/FL M6X16 ST8,8 FOSFAT	SCR HEXCAP FL M6X16 ST8,8 PHOS	Steel
62	10023540	SKR 6K M/FL M6X20 ST8,8 FOSFAT	SCR HEXCAP FL M6X20 ST8.8 UNTR	Steel
63	10023660	SKR 6K M/FL M8X12 ST8,8 FOSFAT	SCR HEX FL M8X12 ST8,8 FOSFAT	Steel
64	10023661	SKR 6K M/FL M8X16 ST8,8 FOSFAT	SCR HEXCAP FL M8X16 ST8,8 PHOS	Steel
65	10023662	SKR 6K M/FL M8X20 ST8,8 FOSFAT	SCR HEXCAP FL M8X20 ST8,8 PHOS	Steel
66	10023663	SKR 6K M/FL M8X25 ST8,8 FOSFAT	SCR HEXCAP FL M8X25 ST8,8 PHOS	Steel
67	10023665	SKR 6K M/FL M8X40 ST8,8 FOSFAT	SCR HEXCAP FL M8X40 ST8,8 UNTR	Steel
68	10023611	SKRUE MASK PANH. POZ M6X40 ELZ	SCREW MACH PANH POZ M6X40 ELZN	Steel
69	10023711	SKRUE SETT M8X20 DIN916	THREADPIN M8X20 DIN 916	Steel
70	10023780	SKIVE Ø6,4XØ18X1,6 ST8,8 UBEH	WASHER Ø6,4XØ18X1,6 ST8,8 UNTR	Steel
71	10024339	SKIVE MESSING Ø12,0XØ6,2X1,8	WASHER BRASS Ø12,0XØ6,2X1,8	Steel
72	10023578	SKIVE Ø10,5XØ25X1,5 SORTK SPES	WASHER Ø10,5XØ25X1,5 STEEL BLA	Steel
73	10024011	FJÆR F/KLINKE	SPRING F/LATCH	Steel
74	10026565	FJÆR FOR VENTILER	SPRING FOR VALVES	Steel
75	10023475	MUTTER 6K M6 ST8,8 UBEH	NUT HEX M6 ST8,8 UNTR	Steel
76	10025839	DISTANSEHYLSE Ø10XØ8,1X31	SPACER TUBE Ø10XØ8,1X31	Steel
77	10037359	HYLSE Ø10XØ8X15	SLEEVE Ø10XØ8X15	Steel
78	10024413	HYLSE Ø10XØ6,2X10	SLEEVE Ø10XØ6,2X10	Steel
79	10023561	SCR CYLH INTHEX M6X8 LOWH M6X8	SKR SYLH INNV6K M6X8 LAV FOSFA	Steel
80	10023672	WASHER Ø10,1XØ19,4X0,9 STEEL B	SKIVE Ø10,1XØ19,4X0,9 SORTK SP	Steel
81	10023684	SKR GJ ST LONG D POINT M6X25	SCREW SOC LONG D POINT M6X25	Steel
82	10024023	DISTANSEHYLSE Ø8X6 L=27,5	DISTANCELOCK NO 3TD 8X6 27,5	Steel
90	50027205 (5m)	Pakning til dørglass	Gasket Door Glass	LD-250-2 graph Ø6,4x1600mm
91	50027205 (5m)	Pakning til bunnplate & askeskuff	Gasket Bottom Plate & Ash Pan	LD-250-2 graph Ø6,4x210mm
92	50027205 (5m)	Pakning mellom deksel bunnplate & bunnplate	Gasket Cover Bottom Plate & Bottomplate	LD-250-2 graph Ø6,4x1000mm
93	50027205 (5m)	Pakning til røykstuss deksel	Gasket Smoke Outlet And Cover	LD-250-2 graph Ø6,4x600mm
94	50027204 (5m)	Pakning inderbakplate & distrib.boks	Gasket Inner Back Plate & Distribution Box	V-125x250mm graph W/A

# Jøtul F 200 / F 205

F 205 BP: Cat No 30054649, F 200 BP: Cat No 30054641

BP: Sort Lakk / Black Paint

<b>Pos. no.</b>	<b>Sparepart.no</b>	<b>Benevnelse</b>	<b>Description</b>	<b>Dim./Spec.</b>
95	50027204 (5m)	Pakning under glass	Gasket Under Glass	V-125x30mm graph W/A
96	10051974	Pakning Strømpe	Rope Connection Tube	
97	50027203 (5m)	Pakning mellom dør og front	Gasket Between Door And Front	LD 375-2 Ø9,5x2000mm
98	50027203 (5m)	Pakning mellom dør og front	Gasket Between Door And Front	LD 375-2 Ø9,5x500mm
100	10023919	SKIVE KLINGERITT F/HÅNDTAK	INSUL.WASHER FOR WOODEN KNOB	
101	10024025	Treknott	Wood Handle	Wood
120	51061804	Korte ben F 200 4 stk pakket	SHORT LEGS F 200 4-PACK BP	
120	12061805	Korte ben F 200	SHORT LEGS F 200	Cast Iron
121	51061807	Korte ben F 205 4 stk pakket	SHORT LEGS F 205 4-PACK BP	
121	12061808	Korte ben F 205	SHORT LEGS F 205	Cast Iron
122	10058559	Uteluftdeksel	Outside air cover	Steel
123	51013646	GULVPL 100MM B=800 D=1000 MBE	FLOORPL 100MM B=800 D=1000 BLACK ENAMEL	Steel
123	51014039	GULVPLATE 800X1000 PULVL SORT	FLOORPL 100MM B=800 D=1000 BLACK PAINT	Steel
124	50027454	GULVPLATE GLASS 800X1000	H/GLASS FL.PL. SQUARE 80X100CM	Glass
				900298-P02