

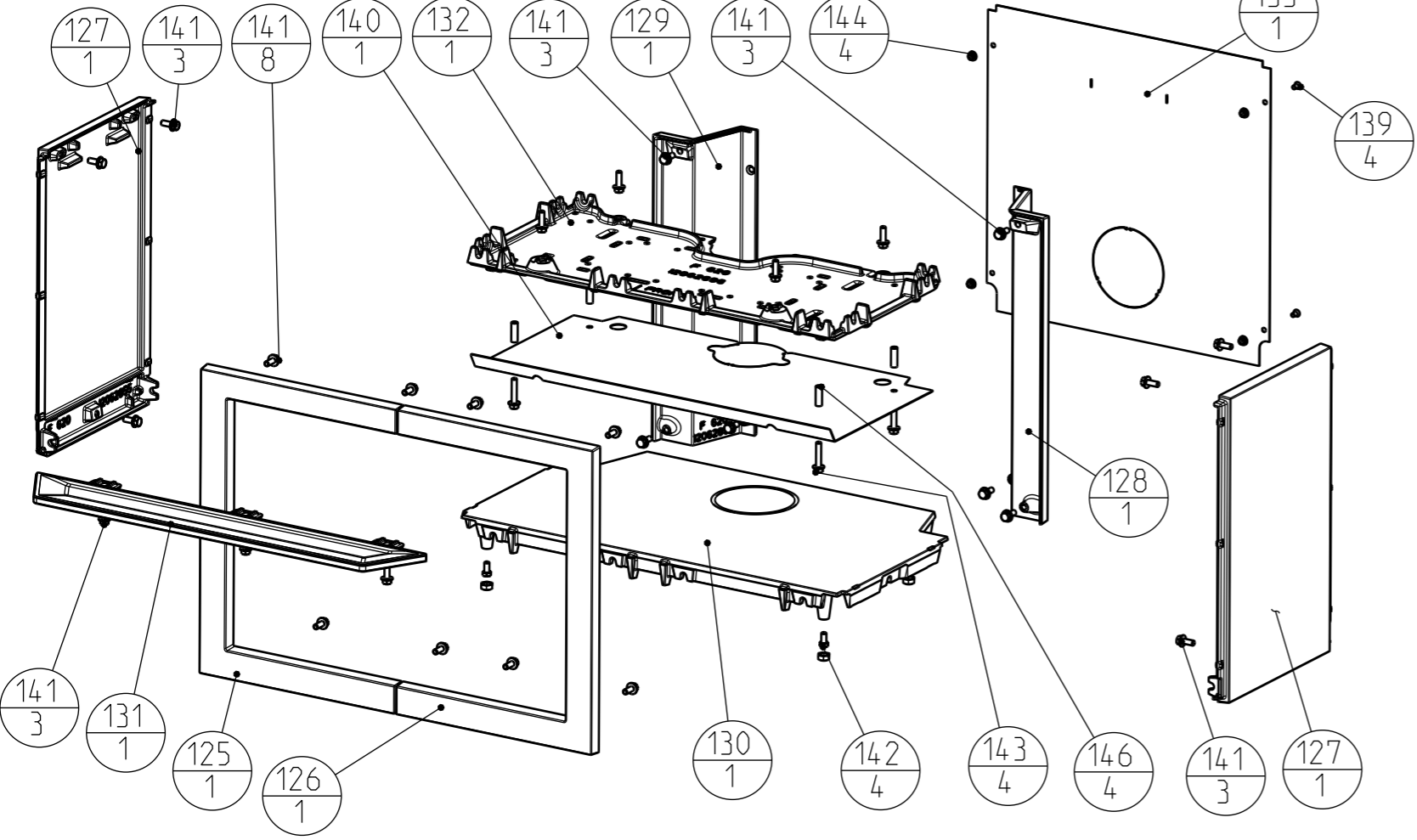
Exploded view Jøtul F 620

Jøtul AS
Fredrikstad, Norway

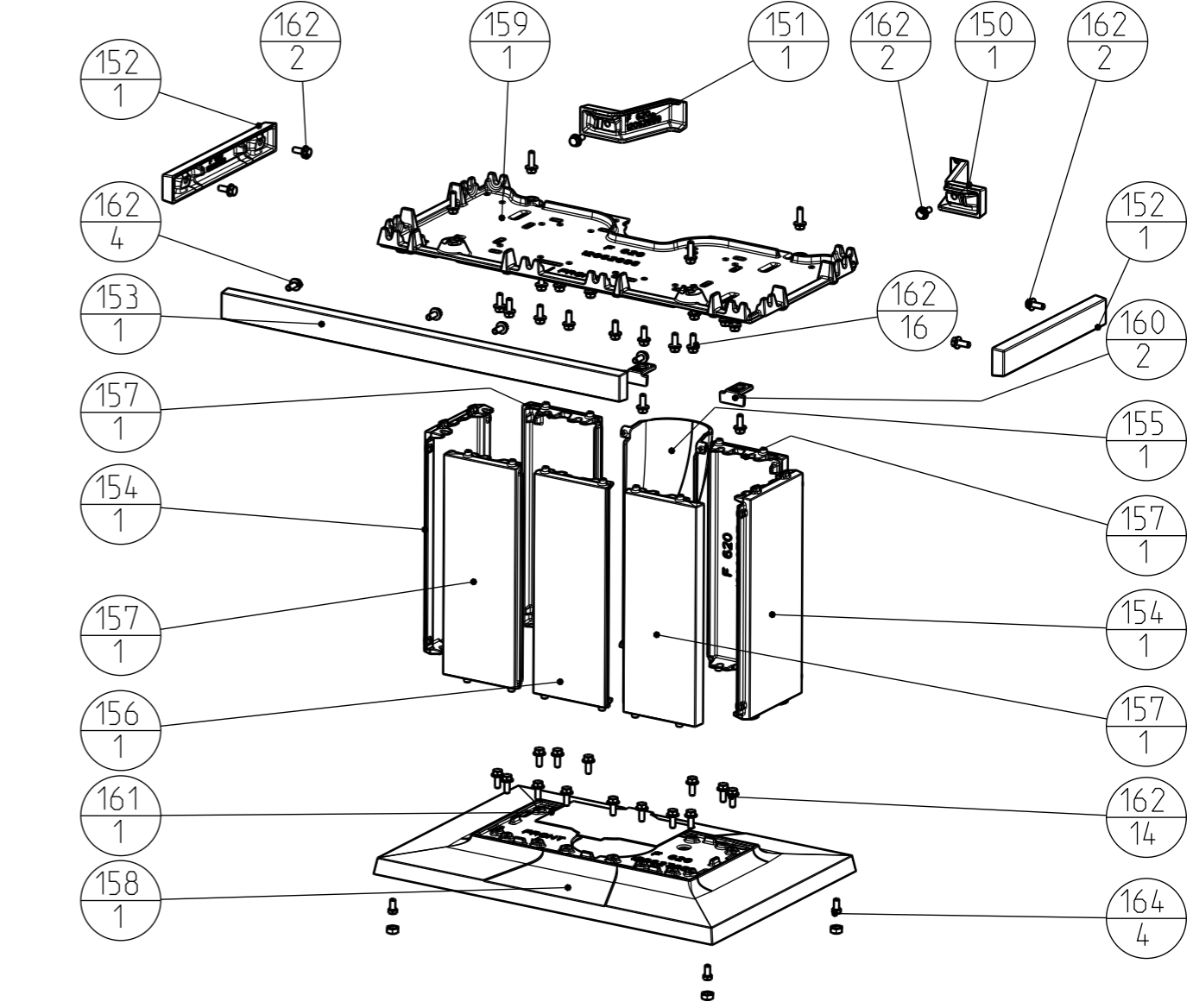
Draw.no:900365
Page:1 of 3

Date:01.03.2024

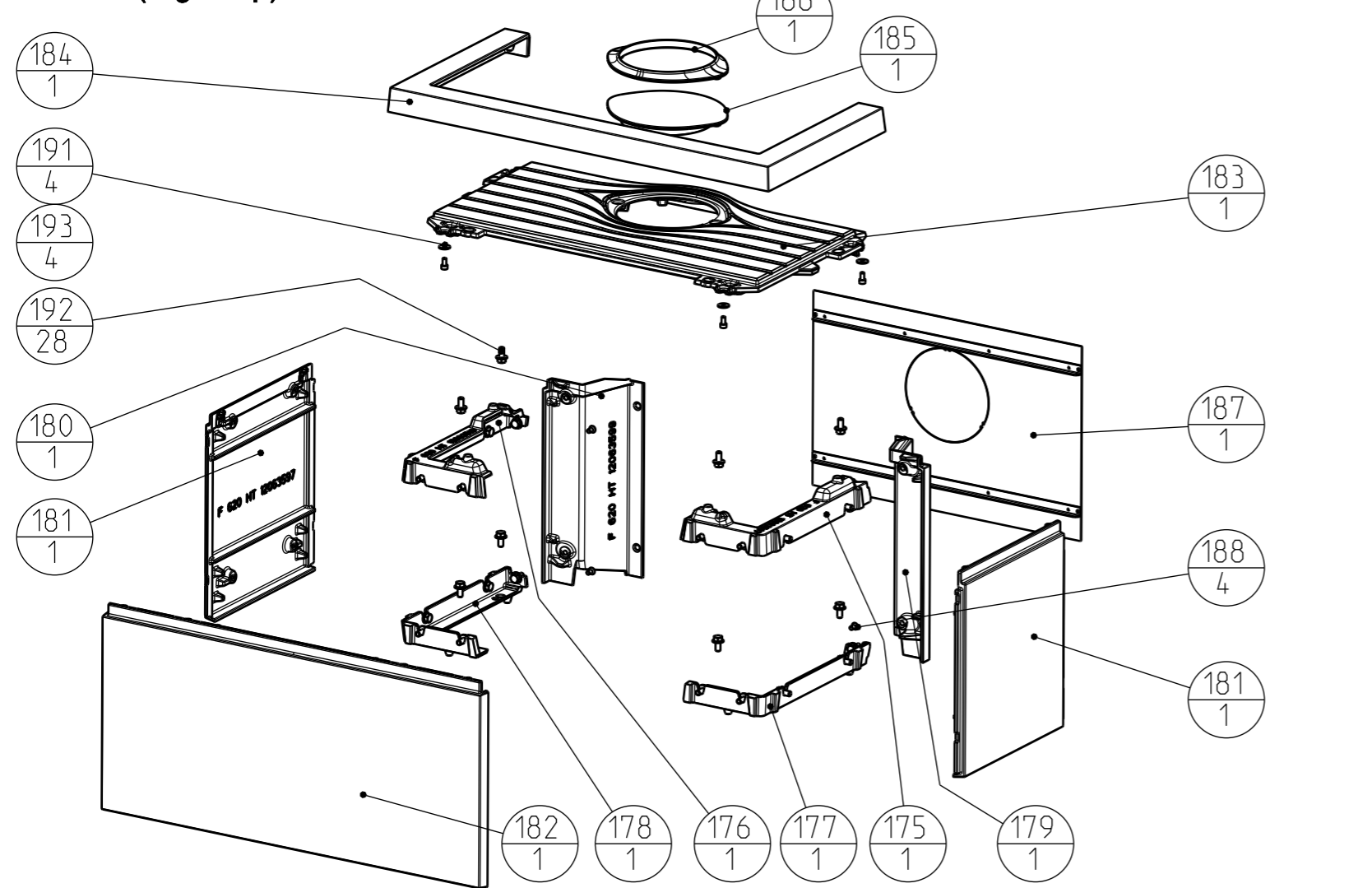
F 620 B (Base)



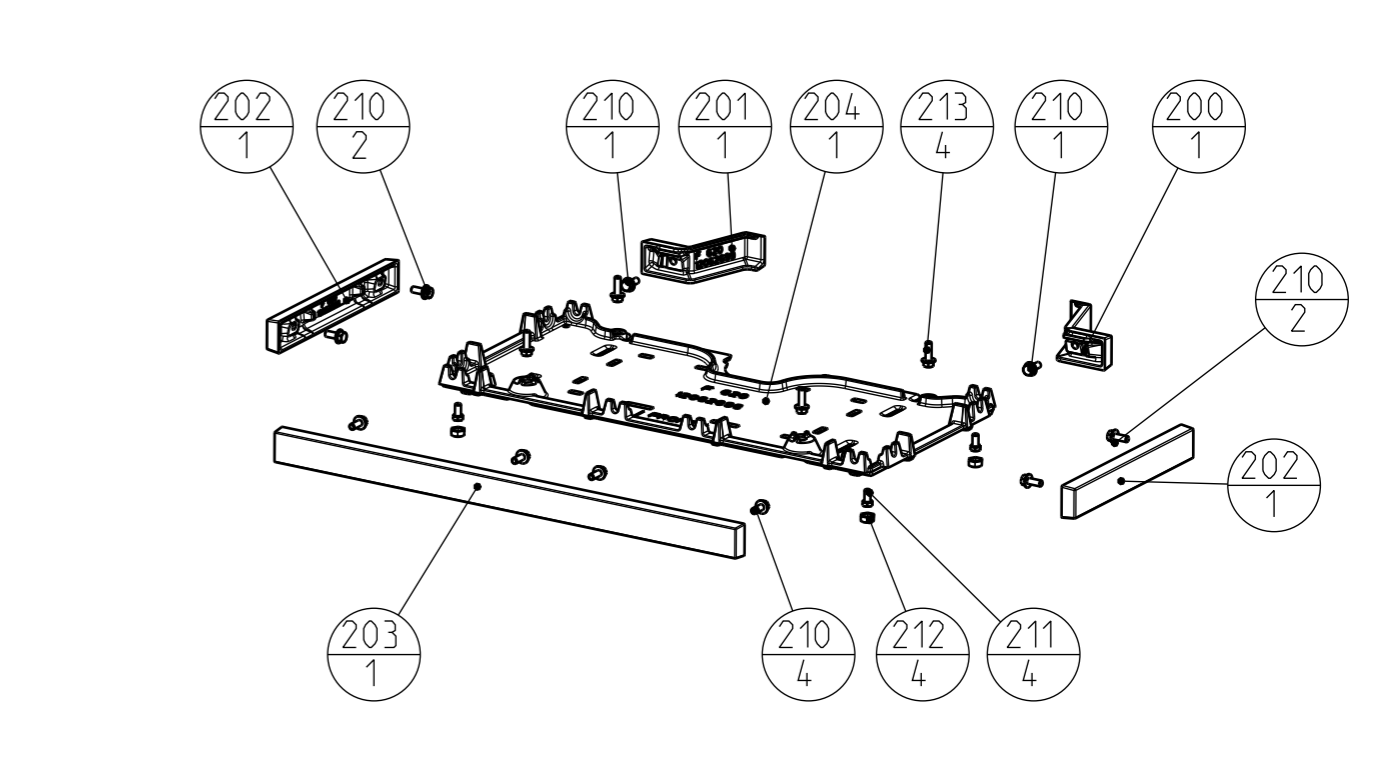
F 620 P (Pedestal)



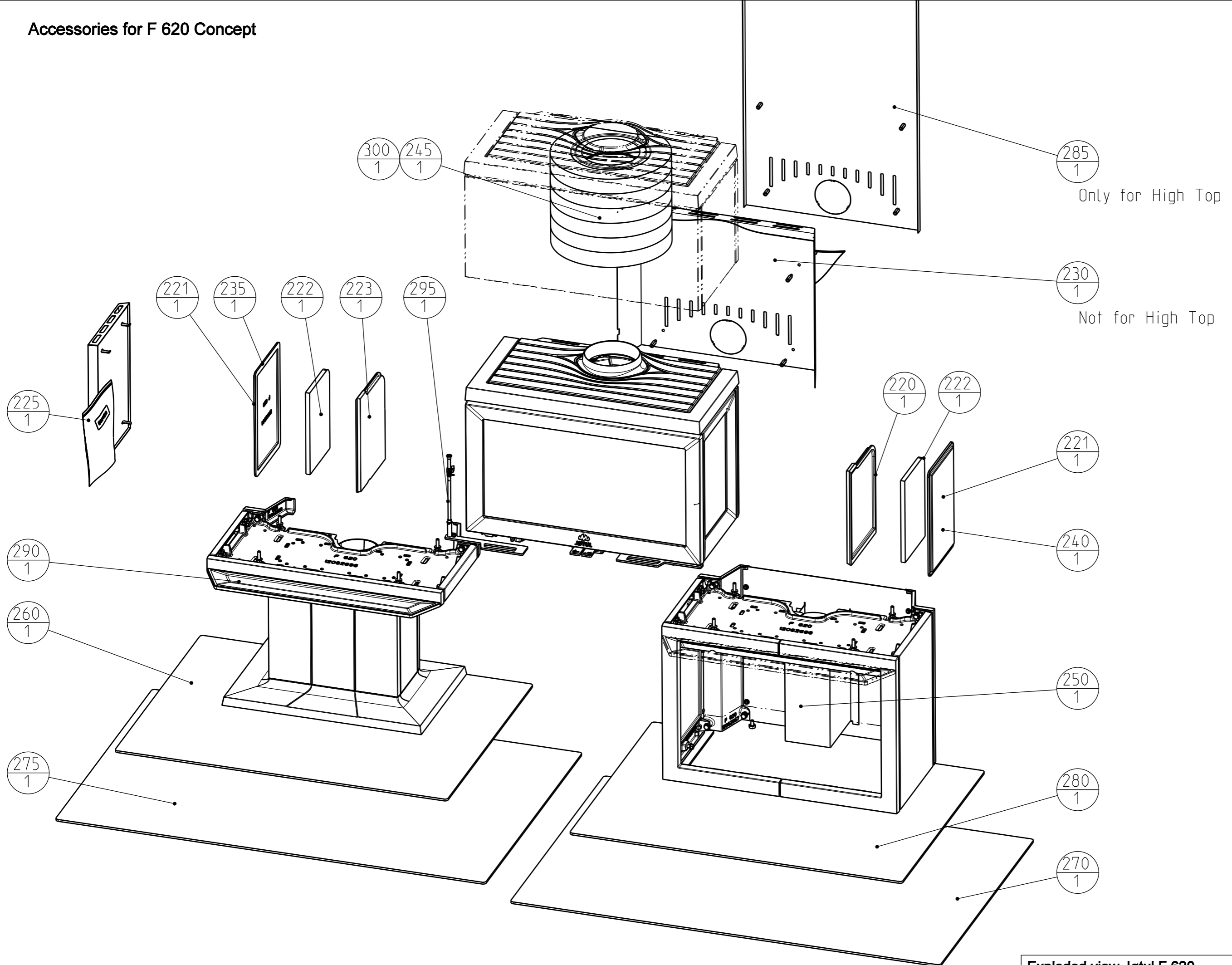
F 620 HT (High Top)



F 620 LB (Low Base)



Accessories for F 620 Concept



Jøtul F 620 konseptet

Jøtul F 620 Burnchamber BP cat no: 30063336

BP= Sort lakk/Black Paint

<i>Pos. no.</i>	<i>Spareparts</i>	<i>Benevnelse</i>	<i>Description</i>	<i>Dim./Spec.</i>
1	12063802	Røykstuss F 620 Ø 150	Smoke Outlet F 620 Ø 150 BP	Cast Iron min 4mm thickness
2	12063801	Topplate BP	Top Plate BP	Cast Iron min 4mm thickness
3	12063803	Toppramme BP	Top Frame BP	Cast Iron min 4mm thickness
4	12063804	Bakpate Venstre / Høyre BP	Back Plate Left / Right BP	Cast Iron min 4mm thickness
5	12063839	Bakplate BP	Rear Plate BP	Cast Iron min 4mm thickness
6	12063805	Bunnplate BP	Bottom Plate BP	Cast Iron min 4mm thickness
7	12063806	Topplate brennkammer BP	Top Plate Burnchamber BP	Cast Iron min 4mm thickness
8	12055294	Spylebrem	Flushing Brim	Cast Iron min 4mm thickness
9	12055292	Brennplate bakre emaljert MWE	Burn Plate Rear Enamel MWE	Cast Iron min 4mm thickness
11	12052722	Kubbestopper BP	Log Retainer BP	Cast Iron min 4mm thickness
12	12051918	Ledeplate nedre	Deflector	Cast Iron min 4mm thickness
13	12051919	Luftkanal høyre	Air Channel Right	Cast Iron min 4mm thickness
14	12051920	Luftkanal venstre	Air Channel Left	Cast Iron min 4mm thickness
15	12051924	Fyrbunn	Inner Bottom	Cast Iron min 4mm thickness
16	12047292	Ventildeksel Innv. MK2	Valve Cover Int. MK2	Cast Iron min 4mm thickness
17	12047291	Bunndeksel MK2	Bottom Cover MK2	Cast Iron min 4mm thickness
18	12044975	Luftkanal fyrbunn	Air Distributor Bottom	Cast Iron min 4mm thickness
19	12064285	Ledeplate øvre	Exhaust Deflector Upper	Cast Iron min 4mm thickness
20	12044855	Lokk uteluft Ø80/100	Lid Air Ø80/100	Cast Iron min 4mm thickness
21	12044967	Bakdeksel	Rear Cover	Cast Iron min 4mm thickness
22	12044799	Stuss uteluft Ø80/100	Inlet Air Ø80/100	Cast Iron min 4mm thickness
23	12016569	Skive	Washer	Cast Iron min 4mm thickness
24	12052720	Dør komplett u/glass BP	Door compl w/o glass	Cast Iron min 4mm thickness
25	12044980	Sidestykke H/V	Side Plate R/L	Cast Iron min 4mm thickness
27	12044968	Dørlist H/V	Door List R/L	Cast Iron min 4mm thickness
40	10062889	Bakplate	Back Plate	Steel
41	10047777	Ventil primær kompl MK2	Valve Assembly Primary MK2	Steel
42	10047776	Ventil opten. kompl MK2	Valve Assembly Ignite MK2	Steel
43	10038553	Hvelvlås	Baffle Lock	Stainless AISI 316
44	10038490	Beslag dørlås	Bracket Door Lock	Steel
45	10038478	Dørlås komplett høyre	Door Lock Complete Right	Steel
46	10038474	Dørhengsel komplett	Door Hinge Complete	Steel

Jøtul F 620 konseptet

Jøtul F 620 Burnchamber BP cat no: 30063336

BP= Sort lakk/Black Paint

Pos. no.	Spareparts	Benevnelse	Description	Dim./Spec.
47	10024413	Hylse Ø10 x Ø6,2 x10	Sleeve Ø10 x Ø6,2 x10	Steel
48	10023780	Skive Ø6,4 x Ø18 x 1,6	Washer Ø6,4 x Ø18 x 1,6	Steel
49	10023707	Skrue senkh innv6k DIN7991 M6x10-10.9	Flat Head Countersunk Socket DIN7991 M6x10-10.9	Steel
51	10023667	6kt mutter m/f M8 DIN6923	Hex flange nut M8 DIN6923	Steel
52	10023666	6kt mutter m/f M6 DIN6923	Hex flange nut M6 DIN6923	Steel
53	10023663	6kt skr m/fl M8x25 DIN6921 8.8	Hex FI Bolt DIN6921-M8x25-8.8	Steel
54	10023662	6kt skr m/fl M8x20 DIN6921 8.8	Hex FI Bolt DIN6921-M8x20-8.8	Steel
55	10023650	Skrue sett M6x50 DIN 916	Socket Set Screw M6x50 DIN 916	Steel
56	10023588	Skrue sylh innv6k DIN 912 M6x12	Hex Socket Head Cap Screw DIN 912 M6x12	Steel
57	10023586	Skrue senkh innv6k DIN7991 M6x12-10.9	Flat Head Countersunk Socket DIN7991 M6x12-10.9	Steel
58	10023576	Skrue sett M6x25 DIN 916	Socket Set Screw M6x25 DIN 916	Steel
59	10023561	Skrue sylh inn6k DIN7984 M6x8-8.8	Hex Socket Head Cap Screw DIN7984 M6x8-8.8	Steel
60	10023544	6kt skr m/fl M6x10 DIN6921 8.8	Hex FI Bolt DIN6921-M6x10-8.8	Steel
70	10023541	6kt skr m/fl M6x16 DIN6921 8.8	Hex FI Bolt DIN6921-M6x16-8.8	Steel
71	10023522	6kt skr M8x60 DIN933 8.8 Elzn	Hex Cap Screw DIN933-M8x60-8.8	Steel
72	10023475	6kt mutter M6 DIN934 8	Hex Nut M6 DIN934 8	Steel
73	10023464	Skive Ø6,4 x Ø12,5 x 1,6 DIN125	Washer M6 Ø6.4xØ12.5x1.6 Elzn. DIN 125	Steel
74	10026601	Glassklips I570 25X18	Glass Clip I570 25X18	Steel
75	10023465	6kt skr M8x16 DIN933 8.8 Elzn	Hex Cap Screw DIN933-M8x16-8.8	Steel
76	10023568	Skive Ø8,4 x Ø18 x 1,6 DIN125	Washer M6 Ø8,4 x Ø18 x 1.6 Elzn. DIN 125	Steel
77	10047202	Ventilfjær	Valve Spring	Steel
80	10051511	Glass dør	Glas Door	Ceramic glass 4mm
81	10038464	Glass side	Glass side	Ceramic glass 4mm
83	10051882	Isol. matte bak	Insul. Blanket Rear	Superwool
84	10051513	Isol. matte fyrbunn	Insul. Blanket Base Plate	Superwool
85	10051512	Hvelv	Baffle	Vermiculite
86	10025215	Pakning under dørglass	Gasket Under Door Glass	
87	50027205	Pakning for glass Ø6,4 m/lim	Gasket for glas Ø6,4 with glue	LD 250-2 graph Ø6,4x500mm
88	50027205	Pakn for ventildeksel Ø6,4 m/lim	Gasket for Valve Cover Ø6,4 w/glue	LD 250-2 graph Ø6,4x1380mm
89	50027203	Pakn snor for topplate Ø8,6mm	Gasket for Top Plate Ø8,6mm	LD-360 graph Ø9,1x2500mm
90	50027205	Pakn for bakplate Ø6,4 m/lim	Gasket for back plate Ø6,4 w/glue	LD 250-2 graph Ø6,4x1500mm
91	50027205	Pakn for bakdeksel Ø6,4 m/lim	Gasket for rear cover Ø6,4 w/glue	LD 250-2 graph Ø6,4x400mm
93	50027203	Pakn snor for dør Ø8,6mm	Gasket for door Ø8,6mm	LD-360 graph Ø9,1x2500mm

Jøtul F 620 konseptet

Jøtul F 620 Burnchamber BP cat no: 30063336

BP= Sort lakk/Black Paint

Pos. no.	Spareparts	Benevnelse	Description	Dim./Spec.
94	50027205	Pakn for sideglass/brennplate Ø6,4 m/lim	Gasket for side glas Ø6,4 with glue	LD 250-2 graph Ø6,4x1120mm
95	50027205	Pakn for bunndeksel Ø6,4 m/lim	Gasket for Bottom Cover Ø6,4 w/glue	LD 250-2 graph Ø6,4x1230mm
		F 620 B (Base)		
125	12063807	Frontplate venstre Base BP	Front Plate Base Left BP	Cast Iron min 4mm thickness
126	12063808	Frontplate høyre Base BP	Front Plate Base Right BP	Cast Iron min 4mm thickness
127	12063809	Sideplate Base BP	Side Plate Base BP	Cast Iron min 4mm thickness
128	12063810	Bakplate høyre BP	Back Plate Right BP	Cast Iron min 4mm thickness
129	12063811	Bakplate venstre BP	Back Plate Left BP	Cast Iron min 4mm thickness
130	12063812	Bunnplate Base BP	Bottom Plate Base BP	Cast Iron min 4mm thickness
131	12063813	Askeleppe BP	Ash Lip BP	Cast Iron min 4mm thickness
132	12063814	Topplate Base BP	Top Plate Base BP	Cast Iron min 4mm thickness
133	10062890	Bakplate	Back Plate	Steel
139	10023586	Skrue senkh innv6k DIN7991 M6x12-10.9	Flat Head Countersunk Socket DIN7991 M6x12-10.9	Steel
140	10062714	Skjermplate under	Heatshield Under	Steel
141	10023662	6kt skr m/fl M8x20 DIN6921 8.8	Hex Fl Bolt DIN6921-M8x20-8.8	Steel
142	10063465	6kt skr M8x16 DIN933 8.8 Elzn	Hex Cap Screw DIN933-M8x16-8.8	Steel
143	10023665	6kt skr m/fl M8x40 DIN6921 8.8	Hex Fl Bolt DIN6921-M8x40-8.8	Steel
144	10023666	6kt mutter m/f M6 DIN6923	Hex flange nut M6 DIN6923	Steel
146	10025839	Hylse Ø10 x Ø8 x 31	Spacer Ø10 x Ø8 x 31	Steel
		F 620 P (Pedestal)		
150	12063815	Baklist høyre BP	Back List Right BP	Cast Iron min 4mm thickness
151	12063816	Baklist venstre BP	Back List Left BP	Cast Iron min 4mm thickness
152	12063817	Sidelist BP	Side List BP	Cast Iron min 4mm thickness
153	12063818	Frontlist BP	Front List BP	Cast Iron min 4mm thickness
154	12063819	Sideplate BP	Side Plate BP	Cast Iron min 4mm thickness
155	12063820	Deksel bakplate BP	Cover Back Plate BP	Cast Iron min 4mm thickness
156	12063821	Senter frontplate BP	Center Front Plate BP	Cast Iron min 4mm thickness

Jøtul F 620 konseptet

Jøtul F 620 Burnchamber BP cat no: 30063336

BP= Sort lakk/Black Paint

<i>Pos. no.</i>	<i>Spareparts</i>	<i>Benevnelse</i>	<i>Description</i>	<i>Dim./Spec.</i>
157	12063822	Front / Bakplate BP	Front / Back Plate BP	Cast Iron min 4mm thickness
158	12063824	Bunnplate BP	Bottom Plate BP	Cast Iron min 4mm thickness
159	12063823	Topplate BP	Top Plate BP	Cast Iron min 4mm thickness
160	12064172	Lås for deksel	Locker For Cover	Cast Iron min 4mm thickness
161	10064287	Gulv deksel	Floor Cover	Steel
162	10023662	6kt skr m/fl M8x20 DIN6921 8.8	Hex Fl Bolt DIN6921-M8x20-8.8	Steel
163	10023465	6kt skr M8x16 DIN933 8.8 Elzn	Hex Cap Screw DIN933-M8x16-8.8	Steel
		F 620 HT (High Top)		
175	12063825	Brakett øvre høyre BP	Bracket Upper Right BP	Cast Iron min 4mm thickness
176	12063826	Brakett øvre venstre BP	Bracket Upper Left BP	Cast Iron min 4mm thickness
177	12063827	Brakett nedre høyre BP	Bracket Lower Right BP	Cast Iron min 4mm thickness
178	12063828	Brakett nedre ventre BP	Bracket Lower Left BP	Cast Iron min 4mm thickness
179	12063830	Bakplate høyre BP	Back Plate Right BP	Cast Iron min 4mm thickness
180	12063831	Bakplate venstre BP	Back Plate Left BP	Cast Iron min 4mm thickness
181	12063832	Sideplate BP	Side Plate BP	Cast Iron min 4mm thickness
182	12063833	Frontplate BP	Front Plate BP	Cast Iron min 4mm thickness
183	12063801	Topplate BP	Top Plate BP	Cast Iron min 4mm thickness
184	12063803	Toppramme BP	Top Frame BP	Cast Iron min 4mm thickness
185	12063834	Røkuttak deksel	Top Outlet Cover BP	Cast Iron min 4mm thickness
186	12063835	Røkuttak deksel open	Top Outlet Open Cover BP	Cast Iron min 4mm thickness
187	10063603	Bakplate	Back Plate	Steel
188	10023586	Skrue senkh innv6k DIN7991 M6x12-10.9	Flat Head Countersunk Socket DIN7991 M6x12-10.9	Steel
191	10023780	Skive Ø6,4 x Ø18 x 1,6	Washer Ø6,4 x Ø18 x 1,6	Steel
192	10023661	6kt skr m/fl M8x16 DIN6921 8.8	Hex Fl Bolt DIN6921-M8x16-8.8	Steel
193	10023588	Skrue sylh innv6k DIN 912 M6x12	Hex Socket Head Cap Screw DIN 912 M6x12	Steel
		F 620 LB (Low Base)		
200	12063815	Baklist høyre BP	Back List Right BP	Cast Iron min 4mm thickness
201	12063816	Baklist venstre BP	Back List Left BP	Cast Iron min 4mm thickness

Jøtul F 620 konseptet

Jøtul F 620 Burnchamber BP cat no: 30063336

BP= Sort lakk/Black Paint

<i>Pos. no.</i>	<i>Spareparts</i>	<i>Benevnelse</i>	<i>Description</i>	<i>Dim./Spec.</i>
202	12063817	Sidelist BP	Side List BP	Cast Iron min 4mm thickness
203	12063818	Frontlist BP	Front List BP	Cast Iron min 4mm thickness
204	12063836	Topplate BP	Top Plate BP	Cast Iron min 4mm thickness
210	10023662	6kt skr m/fl M8x20 DIN6921 8.8	Hex Fl Bolt DIN6921-M8x20-8.8	Steel
211	10023465	6kt skr M8x16 DIN933 8.8 Elzn	Hex Cap Screw DIN933-M8x16-8.8	Steel
212	10026268	m9 Beskyttesle hette	M8 Protection Cap	Plastic
213	10023663	6kt skr m/fl M8x25 DIN6921 8.8	Hex Fl Bolt DIN6921-M8x25-8.8	Steel
		Tilleggsutstyr / Accessories		
220	12044961	Brennplate Høyre	Burnplate Right	Cast Iron min 4mm thickness
221	12063407	Støpejern side	Cast Iron Side Plate	Cast Iron min 4mm thickness
222	10063406	Isolasjonsmatte side	Insulation Mat Side	Superwool
223	12044962	Brennplate Venstre	Burnplate Left	Cast Iron min 4mm thickness
225	50063453	Konveksjonsplate Side	Convection shield Side	Steel
230	50063035	Konveksjonsplate Bak	Convection shield Rear	Steel
235	51063409	Støpejern side Venstre komplett	Cast Iron Side Plate Left Kit	Asm
240	51063410	Støpejern side Høyre komplett	Cast Iron Side Plate Right Kit	Asm
245	10026701	Varmelagrende sten, 6 stk (kit)	Heat-accumulating stone, 6 pcs (kit)	Spesial
250	50064353	Deksel Uteluft for F 620 B (Base)	Cover Outside Air for F 620 B (Base)	Steel
260	50063741	Gulvplate Glass F 620 P Norden	Floor Plate Galss F 620 P Nordic	Glass
270	50063744	Gulvplate Glass F 620 B Tyskland	Floor Plate Galss F 620 B Germany	Glass
275	50063743	Gulvplate Glass F 620 P Tyskland	Floor Plate Galss F 620 P Germany	Glass
280	50063742	Gulvplate Glass F 620 B Norden	Floor Plate Galss F 620 B Nordic	Glass
285	50064355	Skjermplate Bak High Top	Heatshield Back High Top	Steel
290	51063919	Askeleppe for F 620 P (Pedestal)	Ash Lip For F 620 P (Pedestal)	Spesial
295	50045754	Dørlås komplett høyrehengsel	Door Lock Complete Right Hinge	Steel
300	10026783	Varmelagrende sten, 1 stk	Heat-accumulating stone, 1 pcs	Spesial
305	50052674	Sort lakk	Black Paint	Paint